

# INSTRUCTIONS FOR INSTALLATION AND MAINTENANCE

## Bobrick ConturaSeries® Model B-4112 Surface-Mounted Soap Dispenser

### INSTALLATION:

**Lavatories:** Locate dispenser so that spout will be *over the lavatory*. Allow a minimum of 4" (100mm) clearance between top of dispenser and bottom of any shelf, cabinet, or other projection to provide enough space to fill dispenser conveniently.

TO ATTACH WALL PLATE WITH SCREWS, place screws in the three holes provided.

The surface on which unit is to be mounted determines type of screws required for best installation.

**For plaster or dry wall on studs,** provide concealed backing and secure dispenser wall plate with mounting screws furnished by manufacturer. Backing must comply with local building codes.

**For hollow tile partitions** and other instances where applicable, use 1/8" (3mm) round-head toggle bolts.

**For brick, concrete, or solid tile walls,** use screws furnished with #8 (4mm) fiber plugs or provide 1/8" (3mm) toggle bolts or expansion bolts.

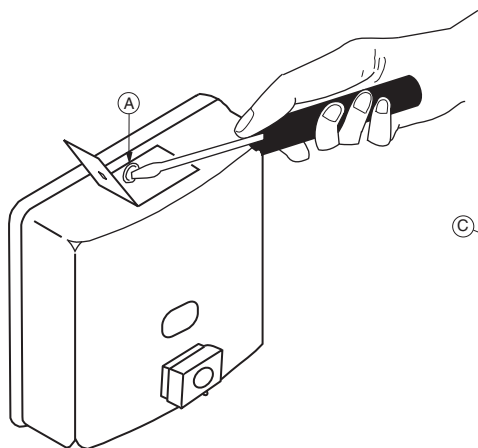
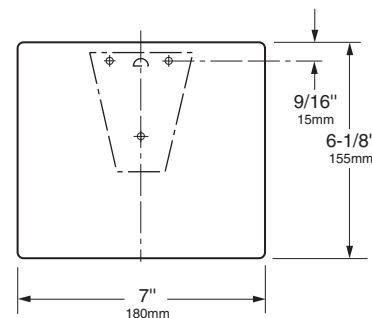


FIGURE 1

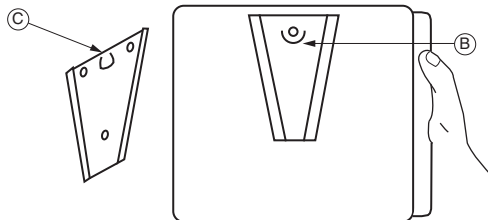


FIGURE 2

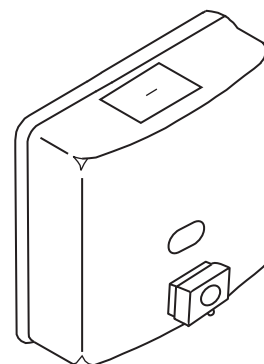


FIGURE 3

### TO MOUNT DISPENSER:

1. Open filler-top by inserting BobKey (24-17) into slot of filler-top and then sliding latch to the left. Lift up filler-top.
2. Using screwdriver as shown (See Figure 1), loosen locking-screw (A).
3. Position dispenser so that edges of back plate (B) fit into grooves of wall plate and then press dispenser down into place (See Figure 2).
4. Tighten locking-screw against washer. Dispenser locks into place when point of locking-screw is lodged under lug (C) of wall plate (See Figure 2).

**CAUTION:** Failure to tighten screw securely may cause dispenser to leak when filled above this point.

5. Close and lock filler-top by reversing operation in step 1.

### MAINTENANCE:

1. To fill dispenser, open filler-top by inserting BobKey (24-17) into slot of filler-top and then sliding latch to the left. Lift up filler-top. Fill dispenser. **To Prevent corrosion, use only chloride-free pH-neutral liquid soaps.** Close filler-top and relock by inserting BobKey into filler-top slot and sliding latch to the right.  
NOTE: **Bobrick liquid soap dispensers are designed to dispense commercially marketed all-purpose hand soaps including liquid and lotion soaps and synthetic detergents. Bobrick soap dispensers are not designed to dispense alcohol-based hand sanitizers or iodine-based surgical soaps.**
2. Clean equipment operates better, lasts longer, and requires less maintenance. Wipe the unit daily, including the spout, using a damp cloth. Use only water-soluble cleaners. *Never use abrasive cleaners.* Avoid allowing cleaning liquids to collect behind unit. Periodically, remove unit from wall to clean back. Refer to technical bulletin TB-21 for further information.
3. Periodically clean the dispenser by pumping warm water mixed with soap from the dispenser through the vessel and valve to flush out contaminants or dried soap residue. *Never use abrasive cleaners.*
4. If the soap valve fails to operate satisfactorily, the problem may be caused by dried soap or dirt clogging the spout or the soap valve. TO REMEDY: Clean spout with end of BobKey and/or flush the dispenser as described above.
5. Do not disassemble the soap valve. NOTE: If for any reason the valve becomes nonfunctional, a new soap valve replacement kit (Part No. 4112-79) must be ordered.

continued . . .

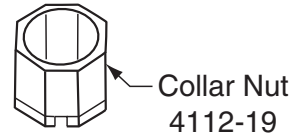
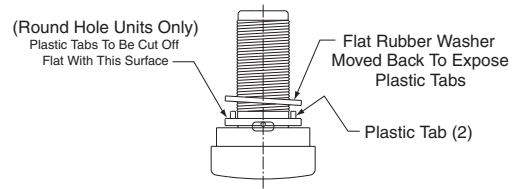
# INSTRUCTIONS FOR INSTALLATION AND MAINTENANCE

## Bobrick ConturaSeries® Model B-4112 Surface-Mounted Soap Dispenser

### VALVE REPLACEMENT INSTRUCTIONS

#### TO REMOVE VALVE:

1. Open filler-top by inserting BobKey (24-17) into slot of filler-top and then sliding latch to the left. Lift up filler-top.
2. Loosen locking-screw inside dispenser. Remove dispenser from wall and empty soap container.
3. Place 1" (25mm) closed-end wrench (provided) inside soap container and over the large collar nut at rear of soap valve and loosen until face of valve can rotate.
4. While holding the collar nut in place with the wrench, unscrew soap valve from the front of the unit by rotating counterclockwise.



**FIGURE 4**

#### TO INSTALL VALVE:

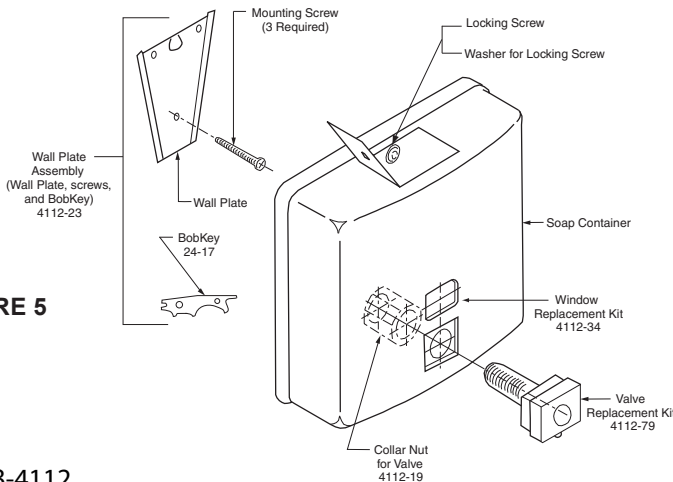
##### A. On Units With Round Hole In Soap Container

1. Pull back flat rubber washer at rear of soap valve face to expose the two plastic tabs.
2. Cut plastic tabs off rear of soap valve face flush with indicated surface (See Figure 4).
3. Move flat rubber washer back to its initial position. Make sure flat edge of washer is even with the top of valve face.
4. Hold the collar nut with the 1" (25mm) closed-end wrench. Make sure the notch in the collar nut is facing toward the front of the dispenser and position nut behind soap valve hole inside dispenser.
5. Screw new soap valve into collar nut, clockwise, until rear of valve face hits the front of the soap container.
6. Push the soap valve into the rectangular recess in the face of the soap container with spout facing downward.
7. Tighten collar nut with wrench until tight enough so that valve will not leak around seal at front of unit.
8. Install soap dispenser on wall bracket.

##### B. On Units With Notched Soap Valve Hole In Container

1. Hold the collar nut with the 1" (25mm) closed-end wrench. Make sure the notch in the collar nut is facing toward the front of the dispenser and position nut behind soap valve hole inside dispenser.
2. Screw new soap valve into collar nut, clockwise, until rear of valve face hits the front of the soap container.
3. Push the soap valve into the rectangular recess in the face of the soap container with spout facing downward.
4. Tighten collar nut with wrench until tight enough so that valve will not leak around seal at front of unit.
5. Install soap dispenser on wall bracket.

Note: Should a refill-indicator window replacement be required, order part No. 4112-34.



**FIGURE 5**

### REPLACEMENT PARTS LIST

Part Name	Part No.
BobKey	24-17
Collar Nut for Valve	4112-19
Wall plate Assembly (wall plate, screws, BobKey)	4112-23
Window Replacement Kit	4112-34
Aluminum Wrench	4112-41
Locking-Screw	4112-73
Valve Replacement Kit	4112-79



**In the U.S.A.: BOBRICK WASHROOM EQUIPMENT, INC.**

Los Angeles: 6901 Tujunga Ave., North Hollywood, CA 91605-6213 • Tel: (818) 982-9600, FAX: (818) 503-1102  
 New York: 200 Commerce Drive, Clifton Park, NY 12065-1350; Tel: (518) 877-7444, FAX: (518) 877-5029,  
 or e-mail: customerservice@bobrick.com

**In Canada: BOBRICK WASHROOM EQUIPMENT COMPANY**

45 Rolark Drive, Scarborough, Ontario M1R 3B1 • Eastern Canada: Tel: (877) 423-6555 • FAX: (877) 423-8555  
 • Western Canada: Tel: (877) 423-6444 • FAX: (877) 423-8444