



F300 Electronic Air Cleaner

PROFESSIONAL INSTALLATION GUIDE.

GETTING
STARTED

MOUNTING

WIRING

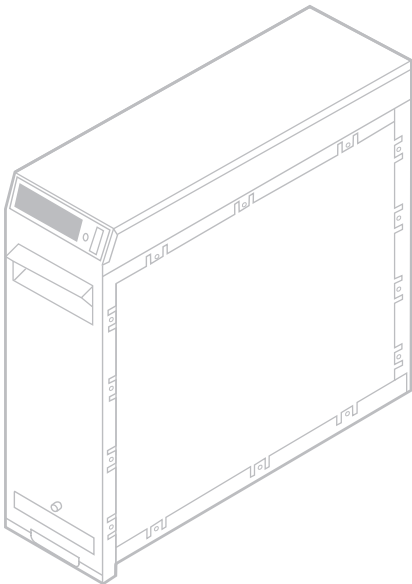
SPECIFICATION
DATA

OPERATION AND
SERVICE

APPENDICES



INCLUDED IN THIS BOX



F300A1620
F300A1625
F300A2012
F300A2020
F300A2025
F300B2012
F300E1001
F300E1019
F300E1027
F300E1035

Tools needed to install Electronic Air Cleaner

- ◆ Standard screwdriver
- ◆ Phillips screwdriver
- ◆ Metal cutter
- ◆ Drill
- ◆ Duct Sealant
- ◆ Locking Pliers

Replacement Media Postfilters

Filter Size (in.)	Part Number
12.5 x 20	50000293-004
16 x 25	50000293-002
16 x 20	50000293-001
20 x 25	50000293-004
20 x 20	50000293-003



F300 Electronic Air Cleaner

How it Works	2	Mounting	15
Application Considerations.....	3	Approvals	15
Models.....	3	Accessories	15
Air Conditioning.....	3	Repair Parts	15
Humidifiers	3	Capacity And Pressure Drop.....	16
Outdoor Air Intake	4	Dimensions.....	17
UV Lights.....	4	Weight	18
Ducting	5	Service	18
Transitions.....	5	Cleaning the Cells and Prefilters	18
Turning Vanes.....	5	Cleaning your Prefilter	18
Offsets.....	5	Cleaning your Cells.....	19
Important Installation Requirements	6	Replacing your Postfilter	19
Personal Safety.....	6	Washing Cells in a Container.....	19
Before Mounting	6	Washing in Automatic Dishwasher.....	20
If Replacing an Old Air Cleaner.....	6	Washing Cells at the Car Wash.....	21
Choosing a Mounting Position.....	6	Reinstalling the Cells and Prefilters	21
Mounting the F300 Electronic Air Cleaner	9	Replacing Media Postfilters.....	21
Checkout	13	Replacing Ionizer Wires	21
Maintenance	14	Modification to Reduce Ozone Odor	22
Specifications	14	Replacement Parts	23
Fractional Efficiency	14	Parts and Accessories Not Illustrated	24
Temperature Rating.....	15	Electronic Air Cleaner Wash Reminder and Postfilter Replacement Schedule	26
Electrical Ratings.....	15		

GETTING STARTED

MOUNTING

WIRING

SPECIFICATION DATA

OPERATION AND SERVICE

APPENDICES



NEED HELP? For assistance with this product please visit honeywellhome.com or call Resideo Customer Care toll-free at 1-800-468-1502.

Read and save these instructions.

® U.S. Registered Trademark. Patents pending. Copyright © 2019 Resideo Technologies, Inc. All rights reserved.

What to Expect From Your Resideo Electronic Air Cleaner

Congratulations for selecting the Resideo Electronic Air Cleaner for your home comfort system! The F300 Electronic Air Cleaner captures and removes a significant amount of the air-borne particles from the air circulated through the high-efficiency electronic cells. The Electronic Air Cleaner easily mounts in any position within the return air duct of any gas, oil, and electric forced warm air furnaces and to compressor cooling up to 5 tons.

When Installing this Product...

1. Read these instructions carefully. Failure to follow them could damage the product or cause a hazardous condition.
2. Check the rating given in the instructions and on the product to make sure the product is suitable for your application.
3. Installer must be a trained, experienced service technician.
4. After installation is complete, check out product operation as provided in these instructions.

How it Works

Large particles (lint, hair) are caught by the prefilter. As the dirty air passes through the intense high voltage electric field surrounding the ionizer wires, all particles are given an electrical charge.

The air then moves through the collector part of the cell where alternate parallel plates are charged positively and negatively, creating a uniform electrostatic field. The charged particles are attracted to and collect on the plates that have the opposite electrical charge.

F300E models only: The air then passes through media postfilters, removing additional particles from the air stream. The air leaving the air cleaner has fewer particles. Each time the air circulates through the electronic air cleaner, more particles are removed.

.....

Application Considerations

The Resideo F300 Electronic Air Cleaner is designed to work with gas, oil, and electric forced warm air furnaces and with compressor cooling. It can also be used with heat pumps if the filter is changed regularly to prevent excessive pressure drop. The F300 Electronic Air Cleaner is not recommended for applications where pressure drop may be critical.

Models

F300E: Includes cabinet, access door, solid state power supply, two electronic cells, two metal mesh prefilters, and two media postfilters.

F300A, B: Includes cabinet, access door, solid state power supply, two electronic cells and two metal mesh prefilters.



Air Conditioning

Mount the Electronic Air Cleaner upstream of the evaporator coil in a cooling system. The filter will help to keep the coil clean and reduce maintenance.

Humidifiers

An evaporative humidifier can be mounted upstream from the air cleaner. An atomizing humidifier should be mounted downstream from the air cleaner, even though hard water salts will be blown into the living space and deposited as dust. If an atomizing humidifier must be mounted upstream from the air cleaner:

1. Mount it as far as possible upstream from the air cleaner.
2. Install a standard disposable furnace filter between the humidifier and the air cleaner to trap water droplets and hard water salts.
3. Frequently clean the air cleaner to prevent a hard water salt buildup.

NOTE: The volume of water that is discharged from an atomizing humidifier can overload the air cleaner, resulting in hard water salts being deposited as dust in the living space.

Outdoor Air Intake

Return air temperature must be at least 40°F (4°C). Lower temperatures can cause ionizer wire failure. If outdoor air is used, warm it upstream from the air cleaner by:

- Making sure the outdoor intake is far enough upstream from the air cleaner so the return and outdoor air is thoroughly mixed. Stratified air can dump a stream of very cold air into one section of the air cleaner.
- Adding baffles upstream from the air cleaner to force thorough air mixing.
- Installing a Resideo Heat Recovery Ventilator or Energy Recovery Ventilator that transfers up to 80 percent of the heat from the exhaust air to the incoming outside air. This keeps the incoming air above 40°F (4°C) and reduces energy usage.
- Installing a preheater if large amounts of outdoor air are used. The preheater, which could be an electric strip heater or hot water coil, should be controlled by a thermostat. Hot water or steam coils should be protected by a freeze-up control.

UV Lights

Germicidal UV lights can cause degradation of the media postfilter. The UV light should be located out of line of sight or a minimum of 3 feet from the filter. Otherwise the filter may need to be replaced more frequently.

Ducting

The Electronic Air Cleaner is adaptable to all new or existing forced air heating and cooling systems used in residential applications. Transitions or turning vanes may be required in some applications for effective air cleaner operation.

Transitions

For most efficient air cleaning, spread airflow evenly across the face of the air cleaner. If the duct is a different size than the electronic air filter cabinet, gradual transitions are required. Follow these guidelines when fabricating:

- Use gradual transitions to reduce air turbulence and increase efficiency.
- Use no more than 20 degrees (about 4 in. per running ft. (100 mm per 300 linear mm)) of expansion on each side of a transition fitting.

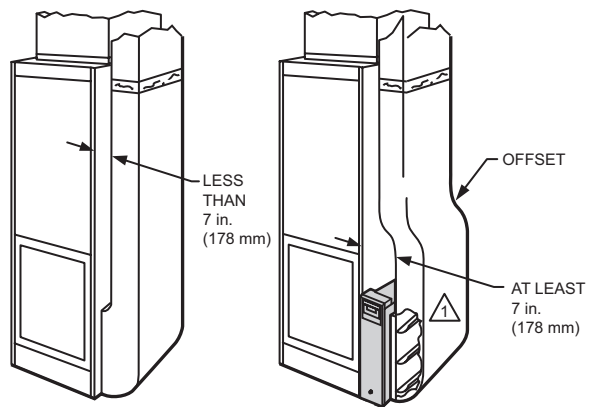
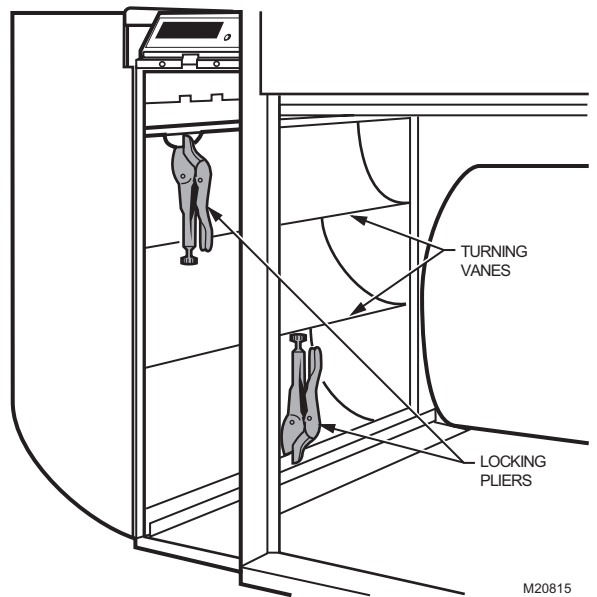
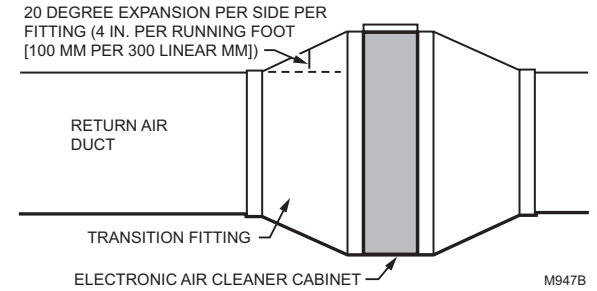
Turning Vanes

If the Electronic Air Cleaner is installed next to an elbow or angle fitting, add turning vanes inside the angle to distribute airflow more evenly across the face of the cell.

Offsets

If the duct connection to the furnace in a side installation allows less than 7 in. (178 mm) for mounting Electronic Air Cleaner cabinet, attach an offset to the elbow.

DUCT SIZE CHANGED GRADUALLY TO PREVENT TURBULENCE.



REQUIRED TURNING VANES HELP DISTRIBUTE AIRFLOW EVENLY. M948B

Important Installation Requirements

Failure to comply with these requirements will result in voided warranty, improper installation, and service callbacks.

Personal Safety

- Wear safety glasses while installing the unit.
- Do not cut into any air conditioning or electrical line.
- Follow professional safety standards and all local codes for plumbing, electrical, and mechanical considerations.

Before Mounting

- Using the figure on the cover and the lists on the inside cover, make sure that you have all the components for your Resideo Electronic Air Cleaner and the tools to install it.
- Ensure airflow direction through the Resideo Electronic Air Cleaner matches the arrows on the electronic cell. The arrows should point in the direction of the airflow.
- Choose a location that is readily accessible for checking and cleaning the cells. Allow at least 13 in. (330 mm) in front of the access door for removing the metal mesh prefilter, media postfilter and electronic cell. Allow enough room above the power supply so it can be serviced without removing pipes, ducts, or other heating system components.
- Install the electronic air filter where the temperature will not exceed the ratings in the Specifications.
- Do not mount in the supply air duct.

NOTE: Generally, the best location is in the return air duct next to the blower compartment so the Electronic Air Cleaner can help to keep the blower motor and evaporator coils clean.

If Replacing an Old Air Cleaner

If the Resideo Electronic Air Cleaner is not identical in size and shape to the existing air cleaner, before performing a retrofit installation, you might need to add duct transitions to ensure a smooth air flow. For optimum system performance, clean the cells every six to twelve months (before heating season and before cooling season). Adjust the schedule to you needs, but clean the cells at least once per year.

NOTE: Before carrying out any cleaning or maintenance activity, the product must be disconnected from the electricity.

Choosing a Mounting Position

The Electronic Air Cleaner mounts in any position within the return air duct, usually next to the furnace blower compartment, but the arrow on the cartridge must point in the same direction as the airflow. See Figs. 1-8 for proper location of the Electronic Air Cleaner for a variety of furnace installations.

NOTE: The Electronic Air Cleaner cabinet is sturdy enough to easily support the weight of the furnace and evaporator coil.

.....

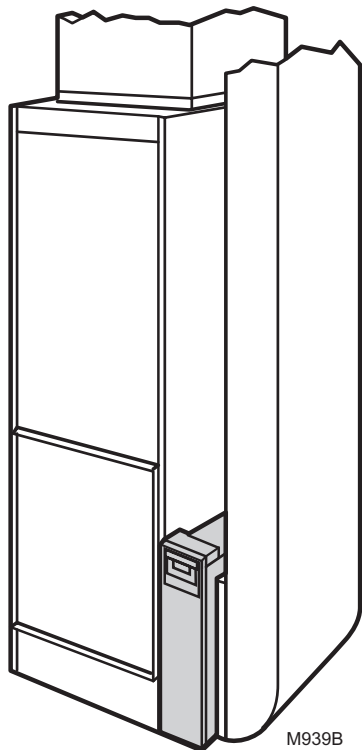


Fig. 1. Highboy furnace with side installation. Electronic air filter is mounted vertically where return enters side inlet of furnace.

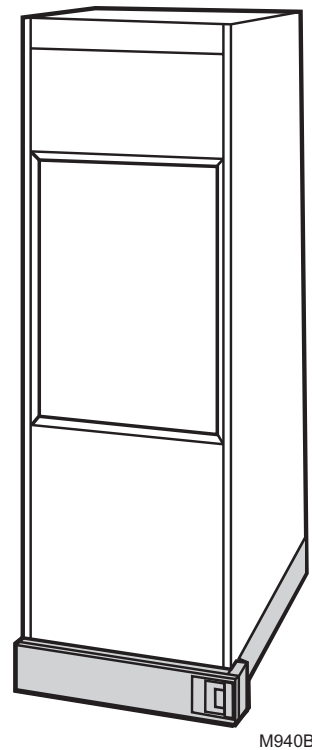


Fig. 2. Highboy furnace, with installation beneath furnace. Electronic Air Cleaner is mounted horizontally where return enters from below.

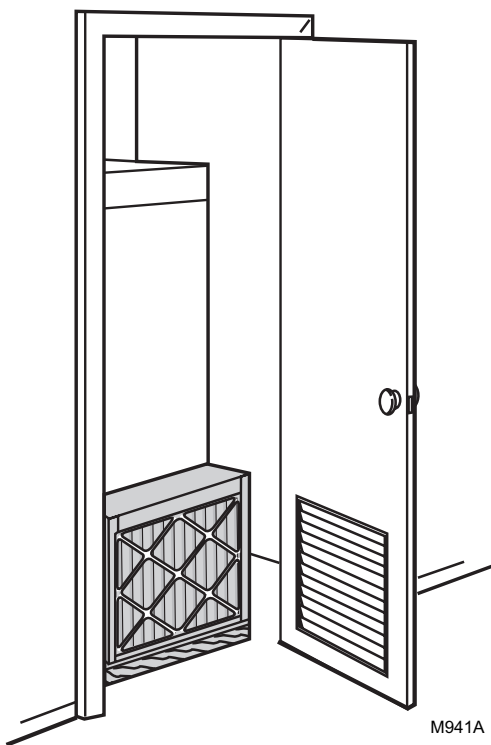


Fig. 3. Highboy furnace, with closet installation. Electronic Air Cleaner is mounted vertically on furnace between furnace and louvered return air opening in closet door.

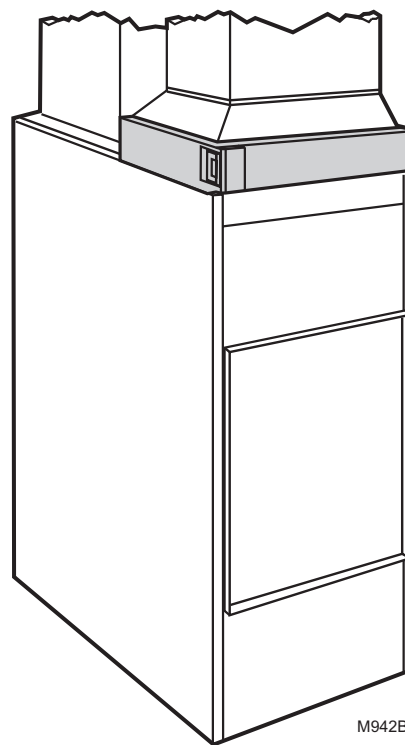


Fig. 4. Lowboy furnace, with Electronic Air Cleaner mounted horizontally in return plenum just above furnace and opposite heating plenum.

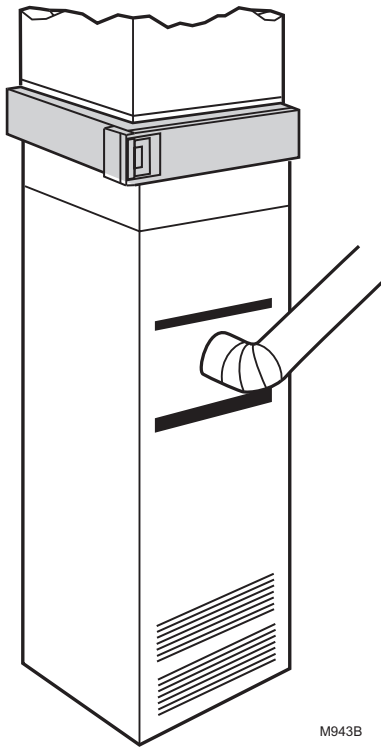


Fig. 5. Counterflow furnace, with Electronic Air Cleaner mounted horizontally in return duct or plenum just above furnace.

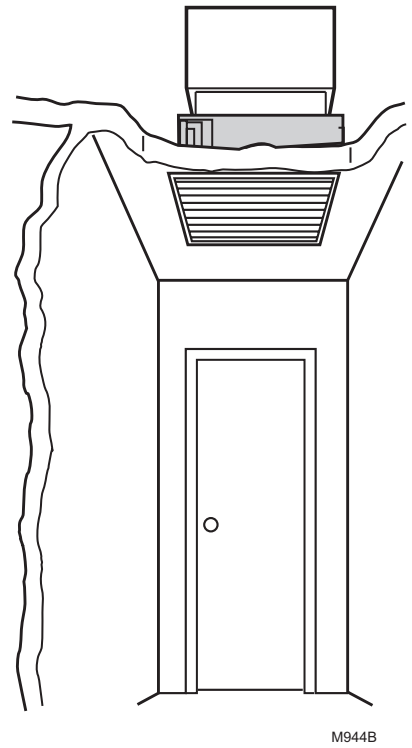


Fig. 6. Central fan installation, with Electronic Air Cleaner mounted horizontally in central return duct.

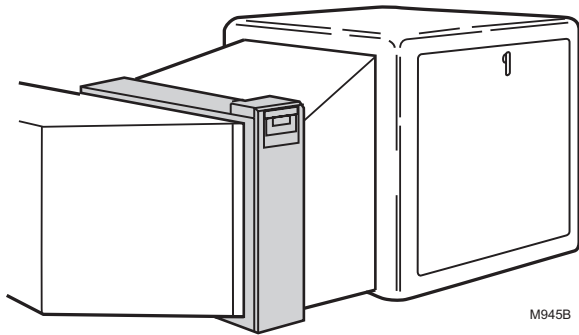


Fig. 7. Horizontal furnace, with electronic air filter mounted vertically in return duct near furnace.

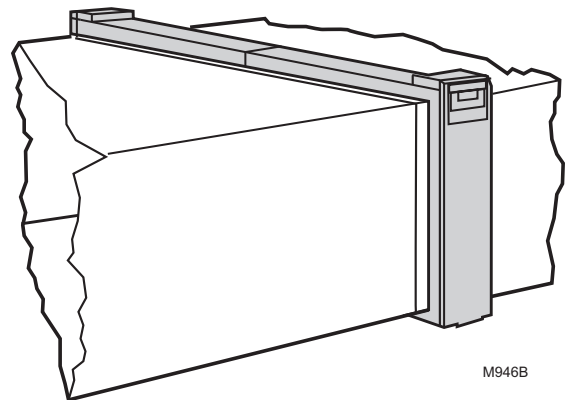


Fig. 8. Two or more Electronic Air Cleaners used in a high capacity system.

Mounting the F300 Electronic Air Cleaner

The following procedure describes a typical side installation on an existing highboy furnace (Fig. 1). Alternate procedures are noted as appropriate. Other changes in installation procedures may be necessary to complete your installation.

STEP ONE: Unpack Electronic Air Cleaner

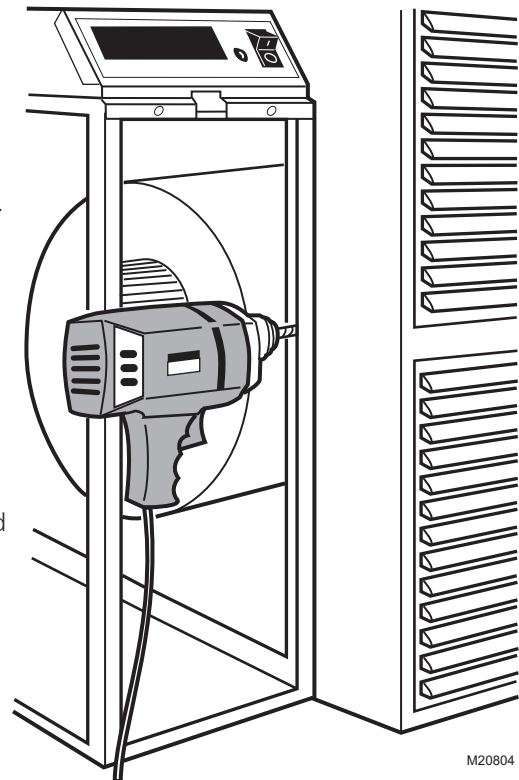
- Check that all components are included. The electronic air cleaner is shipped assembled. The unit consists of a galvanized steel cabinet, power supply with On-Off switch and neon light, two electronic cells, two metal mesh prefilters, two media postfilters (on select models), access door and product data literature.

STEP TWO: Clean Blower Compartment

- Remove and discard the existing furnace filter.
- Thoroughly clean the blower compartment.
- If possible, power vacuum the ductwork to remove accumulated dust in an existing home, or construction dirt in a new home. The electronic air cleaner cannot remove dust that has settled in the blower compartment and distribution ducts.
- Check the edges of the furnace fan blades for dirt buildup and clean as necessary. The fan will not deliver the rated cfm if the blades are dirty.

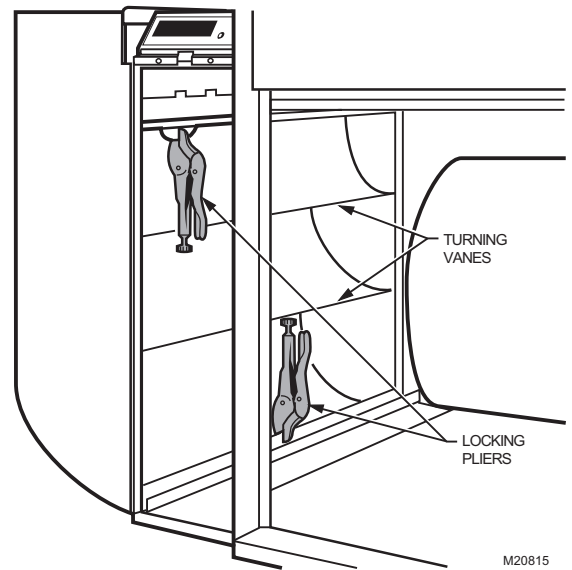
STEP THREE: Fasten the Cabinet to the Furnace

- Remove and set aside the access door, electronic cells metal mesh prefilters and media postfilters.
- Align the cabinet with the return air opening.
- Create an opening in the furnace to match the cabinet opening.
- Install a transition when the furnace and air cleaner openings are different sizes. See Transitions on page 5.
- Place blocks under the cabinet so the unit is firmly supported and level. The 5/8 in. (16 mm) mounting foot on the cabinet hinge plate provides the minimum clearance required for the access door hinge.
- Attach the cabinet securely to the furnace. The unit can be attached directly, as shown, or a starting collar can first be fitted in the furnace opening. Either drill holes and fasten with sheet metal screws or rivets, or use slip joints.



STEP FOUR: Install Turning Vanes

Install turning vanes to help distribute air equally over the full surface of the upstream side of the air cleaner. Install them whenever an abrupt 90 degree elbow is installed directly against the Electronic Air Cleaner cabinet.



STEP FIVE: Fasten Cabinet to Ductwork

Fasten side of cabinet to the ductwork using sheet-metal screws, rivets, or slip joints, as appropriate.

STEP SIX: Connect Ductwork

- a. Connect the vertical duct section to the elbow. If the vertical drop of the duct is less than 7 in. (178 mm) from the side of the furnace, shorten the horizontal trunk or attach an offset fitting to the elbow. See figure to the right.
- b. When ductwork is properly aligned, connect the vertical duct to the horizontal trunk.

STEP SEVEN: Seal Joints

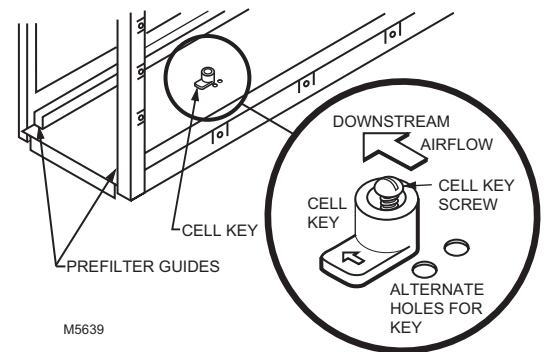
Seal all joints in the return air system between the air cleaner and the furnace to prevent dust from entering the clean airstream.

STEP EIGHT: Position Cell Key

The electronic cell must always be installed so the ionizer section is on the upstream side. A factory-installed cell key on the bottom of the cabinet allows the cell to be inserted in only one direction. If the arrow molded into the plastic key points in the same direction as the airflow, the ionizer is always on the upstream side.

If position of the key must be reversed, proceed as follows:

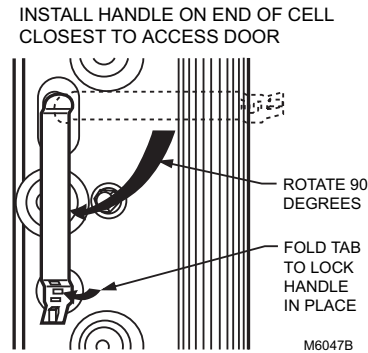
- a. Remove the electronic cell.
- b. Remove the screw holding the cell key in place.
- c. Turn the key around and place it over the opposite holes. The tab on the bottom fits into the larger hole, and the screw fits into the smaller hole. Make sure the arrow on the key points in the direction of the air flow (downstream).
- d. Tighten the screw into the new hole.
- e. Insert the electronic cell. The ionizer section will now be on the air-entering (upstream) side of the cabinet.



STEP NINE: Attach Cell Handles

Cell handles included with the air cleaner must be installed on the end of the cell closest to the access door. To install:

- Orient the cell as it will be when installed. The gray contact board must be up and the airflow arrow stamped into the cell must point downstream.
- Hold the handle sideways and insert the solid tab on the back of the handle into the slot in the cell. Turn the handle 90 degrees clockwise to align the divided tab with the square hole.
- Insert the divided tab into the square hole.
- Fold up the wedge and insert it into the divided tab to lock the handle in place. If necessary, press with a blunt instrument like the end of a pliers.



STEP TEN: Reassemble Air Cleaner

- Insert the electronic cells with the gray contact board toward the power supply and the airflow arrow pointing downstream. If the cell does not slide easily into the cabinet, check the orientation of the cell key.
- Insert the metal mesh prefilters on the upstream side of the cabinet in the guide provided.
- Insert the media postfilters (on select models) on the downstream side of the cabinet in the guide provided.
- Replace the access door. Insert the tab on the bottom of the door into the slot in the cabinet, then swing it closed and press into place. The door must be firmly in place or the air cleaner will not operate.

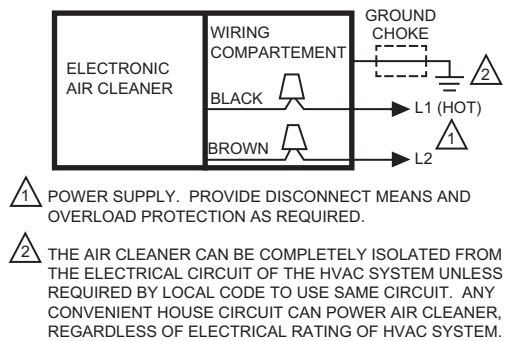
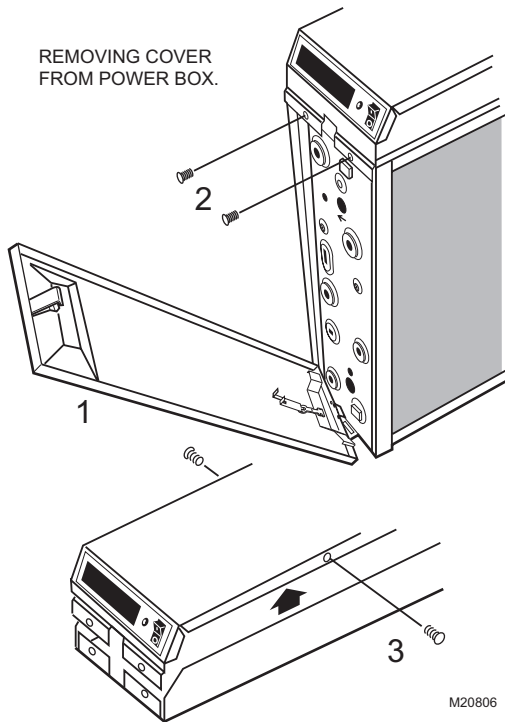
STEP ELEVEN: Complete Wiring

WARNING

Electric Shock Hazard.
Can cause personal injury.
Do not use an extension cord.

- Assure all wiring complies with local codes and ordinances.
- The line voltage power source must match the voltage and frequency printed on the label inside the access door.
- When the System fan comes on, the Air Flow Switch (AFS) senses the negative pressure in the duct and turns on the power supply. If power to the air cleaner is controlled by another switch, the AFS can be disabled by disconnecting the AFS plug J3 and cutting the R16 jumper on the power supply.
- Plug the electronic air cleaner directly into the correct voltage and frequency outlet. See figure on page 12 for internal schematic. The air cleaner operates correctly with any fan when wired with conduit or plugged in.

8. Wire the power cord ground lead to the ground choke assembly using wire nut. Secure ground connection to the green ground screw on the wiring compartment barrier.
9. Replace power supply cover and access door.



Checkout

Visually check the installation and make sure that:

- Airflow is in the direction of the arrow on the electronic cells.
- Metal mesh prefilter is on the upstream side and media postfilter (if used) is on the downstream side.
- Cell handles face outwards.
- Electronic cell and prefilter are clean and dry.
- Turning vanes and transitions, if used, are properly installed.
- Joints in sheetmetal between electronic air filter and heating and cooling system are sealed.
- All sheetmetal connections are complete.
- Original furnace filter has been removed and blower compartment is cleaned.

When you have verified that checkout has been completed:

- Replace any access doors removed during the Installation or Checkout.
- Run the furnace or cooling system through one complete cycle to make sure the system operates as desired.

Check Air Cleaner Operation

With all components in place, turn on air cleaner switch and **energize system blower. Check following points of operation:**

1. The neon light next to the On-Off switch is on. The neon light shows that the air cleaner is energized and the high **voltage power supply is working correctly.**
2. Turn off the system blower. The neon light should go off after a few seconds.
3. Turn on the system blower. With the air cleaner energized, push the test button. A snapping sound indicates that the collector voltage is present on the cell.
4. With a multispeed blower, repeat steps 1 through 3 for each fan speed.

Maintenance

The air cleaner must be cleaned when pressure drop across the air cleaner reaches 0.5 in. w.c. (0.1 kPa), or at least annually. If the air cleaner is installed downstream from an atomizing humidifier or if the installation includes both heating and cooling, more frequent replacement may be necessary. Clogged prefilters must be cleaned promptly to avoid restricting airflow and reducing efficiency of the heating/cooling system. Record the maintenance date in the space provided on the Electronic Air Cleaner Wash Reminder and Postfilter Replacement Schedule.

Specifications

The specifications in this publication do not include normal manufacturing tolerances; therefore, an individual unit may not exactly match the listed specifications. This product is tested and calibrated under closely controlled conditions, and some minor differences in performance can be expected if those conditions are changed.

Fractional Efficiency

Efficiency Ratings: Efficiency ratings are based on American Society of Heating, Refrigerating and Air Conditioning Engineers Standard 52.2-1999. Efficiency ranges are defined for small particles, E1 = .3 to 1.0 micron; medium particles, E2 = 1.0 to 3.0 microns; and large particles, E3 = 3.0 to 10.0 microns.

Table 5. Fractional Efficiency With and Without Postfilter.

With Postfilter	Without Postfilter
E1 = Up to 81% at 492 fpm.	E1 = Up to 73% at 492 fpm.
E2 = Up to 93% at 492 fpm.	E2 = Up to 88% at 492 fpm.
E3 = Up to 99% at 492 fpm.	E3 = Up to 95% at 492 fpm.

Temperature Rating

Operating Ambient:

40° to 125°F (4° to 52°C).

Temperature of Airflow Through Cells:

40° to 125°F (4° to 52°C).

Maximum Cell Washing Temperature:

220°F (140°C).

Storage and Shipping Ambient:

-40°F to +140°F (-40°C to +60°C).

Electrical Ratings

Voltage and Frequency:

Models available for 120V, 60 Hz., 240V, 60 Hz.

120V models can be converted in the field to 240V, 60 Hz or 220/240V, 50 Hz with the 203365A Conversion Kit.

Power Consumption:

One cell models: 22 W maximum

Two cell models: 36 W maximum.

Current Draw: See Table 2.

Ionizer Voltage: 8150 Vdc.

Collector Voltage: 4075 Vdc.

Mounting

Mounts in any position in the return air duct, usually next to the furnace blower compartment. Cabinet is sturdy enough to support weight of a residential furnace and evaporator coil.

Approvals

Underwriters Laboratories, Inc.: File E30954.

Accessories

- 203365A Conversion Kit for changing 120V, 60 Hz power supply to 240V, 60 Hz or 220/240V, 50 Hz.

Repair Parts

See Replacement Parts/Exploded View section.

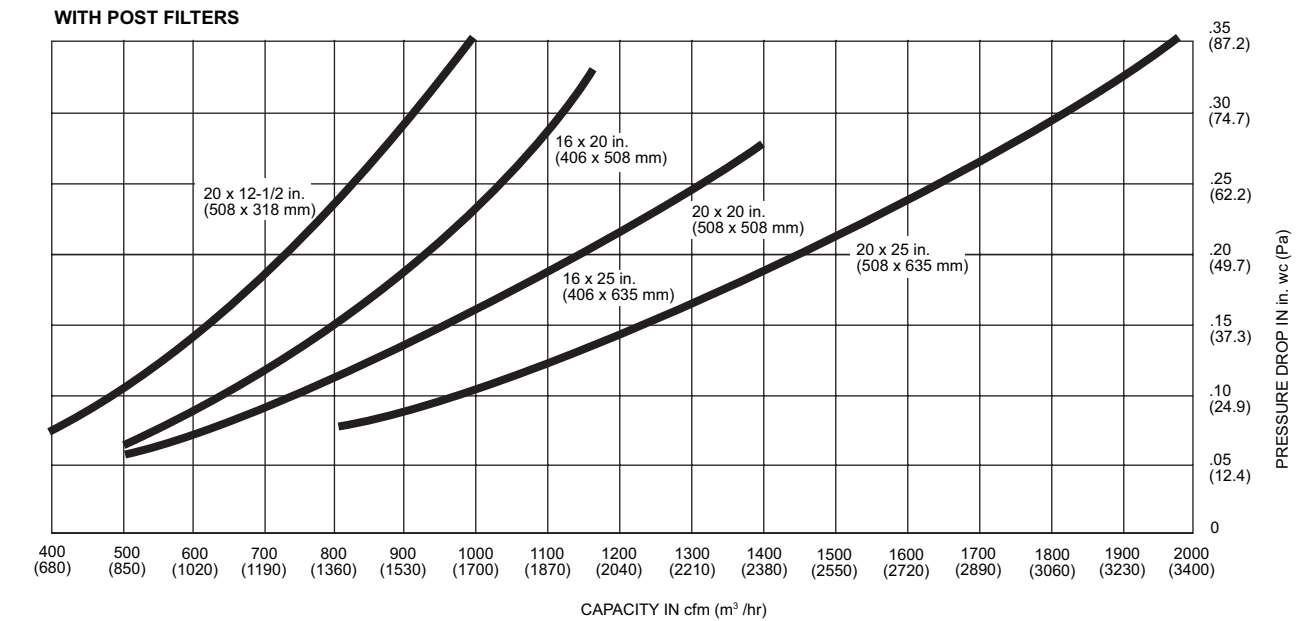
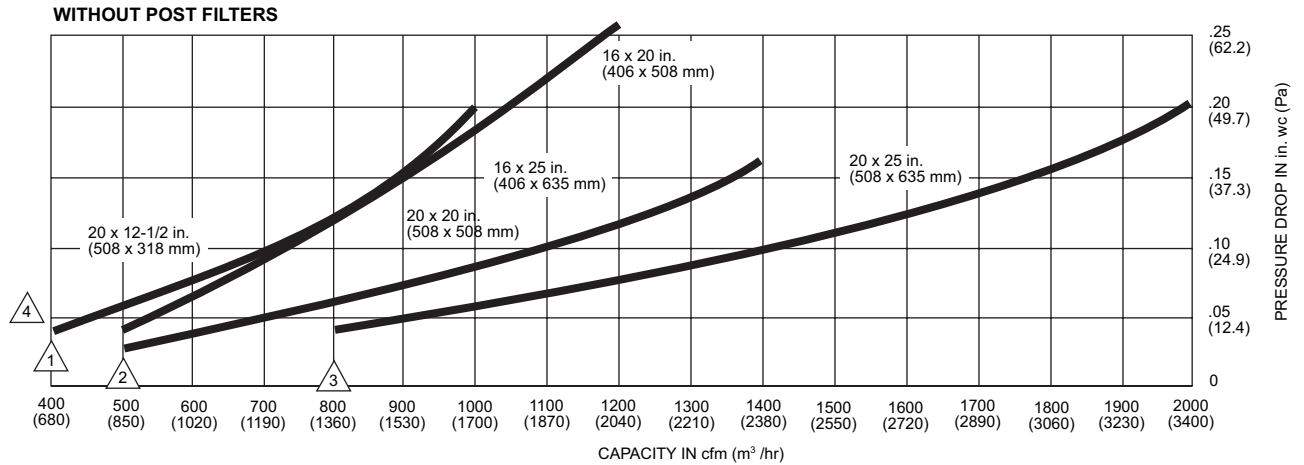
Table 6. Current Draw

Size		No. Cells	Max Current (A)	
in.	mm		120V	220/240V
16 x 25	406 x 635	2	0.4	0.2
20 x 25	508 x 635	2	0.4	0.2
16 x 20	406 x 508	2	0.4	0.2
20 x 20	508 x 508	2	0.4	0.2
20 x 12-1/2	508 x 318	1	0.4	0.2

Capacity And Pressure Drop

Initial Pressure Drop: 0.15 in. wc at 492 fpm.

AIR CLEANER EFFICIENCY AND PRESSURE DROP AT VARIOUS AIRFLOW RATES.

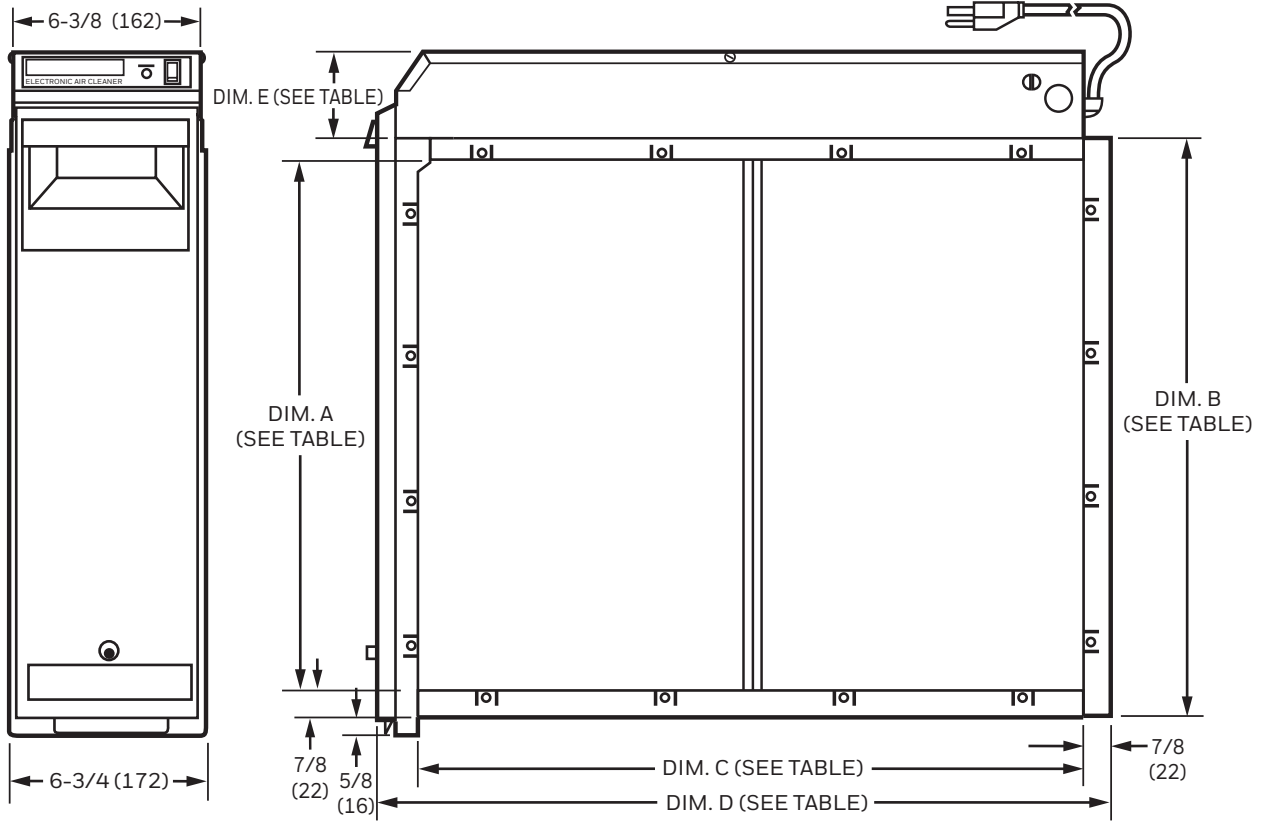


- 1 MINIMUM RECOMMENDED cfm FOR 20 x 12-1/2 in. (508 x 318 mm) MODEL.
- 2 MINIMUM RECOMMENDED cfm FOR 16 x 25 in. (406 x 635 mm), 20 x 20 in. (508 x 508 mm), 16 x 20 in. (406 x 508 mm) MODELS.
- 3 MINIMUM RECOMMENDED cfm FOR 20 x 25 in. (508 x 635 mm) MODEL.
- 4 SELECT SIZE THAT MOST CLOSELY FITS DIMENSIONS OF FURNACE/AIR HANDLER RETURN AIR OPENING

M13654

SPECIFICATION DATA

Dimensions



F300 SIZE		DIM. A		DIM. B		DIM. C		DIM. D		DIM. E	
IN.	MM	IN.	MM	IN.	MM	IN.	MM	IN.	MM	IN.	MM
16 X 25	406 X 635	14-7/16	367	16-3/16	411	23-1/4	591	25-1/2	648	2-3/4	70
16 X 20	406 X 508	14-7/16	367	16-3/16	411	18-1/4	457	20-1/2	521	2-3/4	70
20 X 25	508 X 635	18-7/16	468	20-3/16	513	23-1/4	591	25-1/2	648	2-3/4	70
20 X 20	508 X 508	18-7/16	468	20-3/16	513	18-1/4	457	20-1/2	521	2-3/4	70
20 X 12-1/2	508 X 318	18-7/16	468	20-3/16	513	10-7/8	276	13-1/8	333	3-5/8	92

M2872C

SPECIFICATION DATA

Weight

Item	Weight									
	16 x 20 in. (406 x 508 mm)		16 x 25 in. (406 x 635 mm)		20 x 12-1/2 in. (508 x 318 mm)		20x 20 in. (508 x 508 mm)		20 x 25 in. (508 x 635 mm)	
	lb	kg	lb	kg	lb	kg	lb	kg	lb	kg
Electronic Cell (each)	5	2.25	6	2.7	7-1/2	3.4	6-3/16	2.8	7-1/2	3.4
Shipping Weight	30	13.6	33	15.0	25	11.3	33	15.0	38	17.2
Installed Weight (Cells included)	26	11.6	28	12.7	21	9.5	29	13.2	33	15.0

Service

Before cleaning the Electronic Air Cleaner, this must be disconnected from the electricity.

CAUTION

Sharp Edges

Can cause personal injury.

Carefully handle the cell(s) or wear protective gloves to avoid cuts from the sharp metal edges.

Cleaning the Cells and Prefilters

To assure optimum performance from the air cleaner, the cells and prefilters must be cleaned regularly and the postfilters replaced regularly—twice a year with normal use or more frequently with heavy use.

Washing frequency varies, depending on the number of family members, pets, activities (such as cooking or woodworking) and smoking habits. Use the Service Reminder Schedule at the end of this document to help establish and maintain a regular cleaning schedule. Keep your Service Reminder Schedule in a convenient location.

NOTE: To let the heating or air conditioning system operate normally while the cells are being washed, simply turn off the air cleaner switch.

Cleaning your Prefilter

1. The quickest and easiest way to clean your prefilter is to use the brush attachment of your vacuum cleaner to vacuum the lint off the dirty side of the prefilter. Greasy dirt may require soaking the prefilter in a tub or rinsing with the garden hose. Do not wash the prefilter in the dishwasher or car wash.
2. The prefilter should be cleaned every 6 months or more frequently with heavy use. This will keep the prefilter clean of air choking lint that can make your system work harder.

Cleaning your Cells

- A quick cleaning of the cells can be done by simply wiping down the ionizer wires with a damp cloth. This will help boost the efficiency of the air cleaner between full cleaning cycles. This quick clean can be done every time the prefilters are cleaned.
- A full cleaning of the cells will return the air cleaner to its peak efficiency. An easy way to wash the cells is in a tub of hot, soapy water. Just soak the cells until the water cools, agitate and rinse. For details see below instructions on Cleaning in a Container, Automatic Dishwasher or Washing Cells at the Car Wash.
- A full cleaning of the cells can be put off for yearly maintenance because the efficiency of the air cleaner remains high even as it loads up with dirt. A quick cleaning can be done more often. Those wishing to renew to peak efficiency or with heavier use may want to wash more frequently.
- Resideo recommends using an automatic dishwasher detergent to protect the aluminum of the cells. It is not recommended to use all purpose cleaners or coil cleaners; these cleaners can degrade the aluminum in the cells over time.

Replacing your Postfilter

1. The postfilter is an optional filter that boosts the efficiency of the air cleaner. Do not wash the postfilter because that will neutralize the factory applied charge.
2. The postfilter should be replaced every six months to ensure peak performance.

Washing Cells in a Container

CAUTION

Hazardous Chemical.

Can cause personal injury.

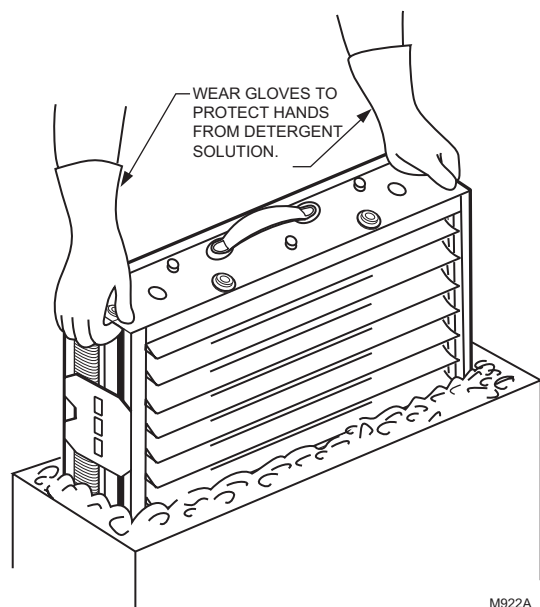
Do not splash detergent solution in eyes. Wear rubber gloves to avoid prolonged detergent contact with skin. Keep detergent and solution out of reach of children.

NOTE: Always wash the cells first, then the prefilters, to keep heavy prefilter lint from getting caught in the cells.

1. Use a large enough container, such as a laundry tub or trash container, to hold one or both cells.

NOTE: Sharp corners on cells can scratch surface of bathtub.

2. Dissolve about 3/4 cup of automatic dishwasher detergent per cell in enough hot water to cover the cells. If detergent does not dissolve readily, or forms a scum on the water, try another brand, or use softened water
3. After detergent has completely dissolved, place cells in the container and let soak for 15 to 20 minutes. Agitate up and down a few times and remove.
4. Next, wash the prefilters the same way. Empty and rinse the wash container.



5. Rinse the cells and prefilters with a hard spray of very hot water; rinse the tub clean, then fill the tub with clean hot water and soak for 5 to 15 minutes. Rinse until the water draining from the cells and prefilters no longer feels slippery.
6. Soak cells and prefilters in a final clear water rinse for ten minutes.
7. Wipe ionizer wires and contact board on end of cell using your thumb and forefinger with a small, damp cloth.

Washing in Automatic Dishwasher

NOTE: Move Washing Cells in a Container before washing in an automatic dishwasher.

CAUTION

Burn Hazard.

Can cause personal injury.

Allow cells to cool completely in dishwasher at end of wash cycle or wear protective gloves to avoid burns. Hot water can accumulate in the tubes supporting collector plates; tip cells so tubes drain.

- Check the dishwasher owner's manual. Some manufacturers do not recommend washing electronic cells in their dishwashers.
 - If the dishwasher has upper and lower arms, position the cells carefully to allow good water circulation.
 - Be careful to avoid damaging the cells when placing them in the dishwasher. Broken ionizer wires or bent collector plates are not included in the warranty.
 - Very dirty cells, especially from tobacco or cooking smoke, can discolor the plastic parts and the lining of some dishwashers. This discoloration is not harmful. To minimize it, wash the cells more frequently or try a different brand of detergent.
 - Do not allow the dishwasher to run through the dry cycle. This bakes on any contaminants not removed during the wash cycle and reduces air cleaner efficiency.
1. Put the cells on the lower rack of the dishwasher with the airflow arrow pointing up. It may be necessary to remove the upper rack. Do not block water flow to the upper arm.

NOTE: Lay a few large water glasses between the spikes on the lower rack and rest the cell(s) on them so the spikes do not damage the aluminum collector blades.

2. Using regular dishwasher detergent, allow the dishwasher to run through the complete wash and rinse cycle. Do not use the dry cycle. To avoid burns, let the cells cool completely before removing, or wear protective gloves when removing the cells. Remember that water may be trapped inside the cells. Tip the cells so the tubes can drain.
3. Wipe ionizer wires and contact board on the end of the cell using thumb and forefinger with a small, damp cloth.
4. Inspect the dishwasher. Rerun wash and/or rinse cycle with the dishwasher empty if there is dirt or residue from washing the cells. If dirt or residue seems excessive, wash cells more often or try a different detergent.

Washing Cells at the Car Wash

Use the hand sprayer at a coin-operated do-it-yourself car wash to clean the cells. Hold the nozzle at least two feet away from the unit to avoid damage (such as broken ionizer wires or bent collector plates) from the high pressure stream of water. Follow the same sequence of wash and rinse as recommended for cars. However, do not wax the cells. Be sure to rinse until the water draining from the cells no longer feels slippery.

Reinstalling the Cells and Prefilters

1. Inspect the cells for broken ionizer wires and bent collector plates. Repair as necessary or take to a Resideo Authorized Air Cleaner Repair Station.
2. Slide the prefilters into the upstream prefilter guides.
3. Slide in the air cleaner cells so the airflow arrow points downstream and the handles faces outward.
4. Firmly close the access door.
5. Wait two to three hours until the cells are dry and then turn on the air cleaner. If the cells and prefilters are wet, the neon light may not come on and you may hear arcing.

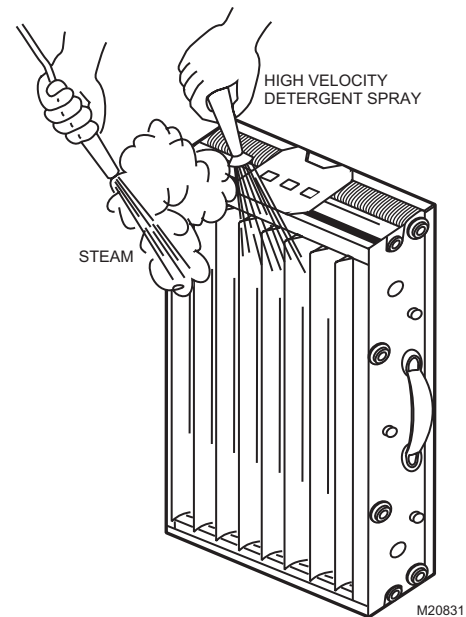
Replacing Media Postfilters

To maximize the filtration efficiency of the media postfilters, replace them every six months. Replacement filters are available in the same size and configuration as the original unit. Contact your local Resideo distributor to purchase replacement filters. Install the replacement filters exactly as the filters provided with the equipment. Use the Service Reminder Schedule at the end of this document to help you establish and maintain a regular replacement schedule. Keep your Service Reminder Schedule in a convenient location.

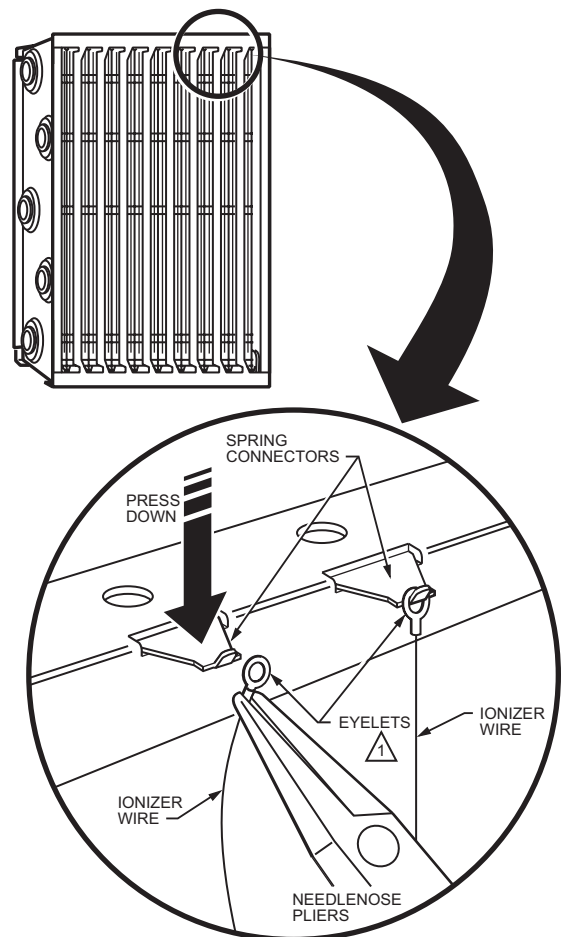
Replacing Ionizer Wires

Broken or bent ionizer wires can cause an electrical short to ground, often resulting in visible arcing or sparking. Do not use cells until broken wires are removed. Cells can be used temporarily with one wire missing, but replace the wire as soon as possible.

Replacement wires are supplied cut to length with eyelets on both ends for easy installation. See Parts and Accessories Not Illustrated section. To install:

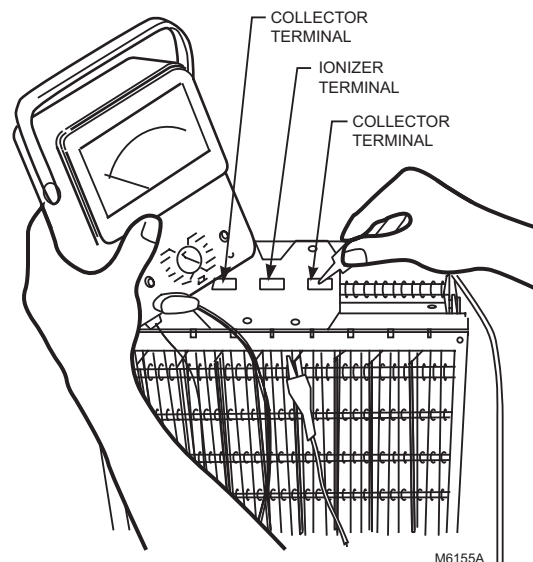


REPLACING AN IONIZER WIRE.



1 TWO EYELETS HOLD IONIZER WIRE TO CELL. M1540C

1. Hook the eyelet on one end of the wire over the spring connector on one end of the cell. Be careful to avoid damaging spring connectors or other parts of the cells.
2. Hold the opposite eyelet with a needle nose pliers and stretch the wire the length of the cell. Depress the opposite spring connector and hook the eyelet over it.
3. Check the cell for short circuits using an ohmmeter; see the figure to the right. Check the resistance between the frame of the cell and both the ionizer and the collector contacts. In each case, the resistance should be infinite.



Modification to Reduce Ozone Odor

CAUTION

Electric Shock Hazard.

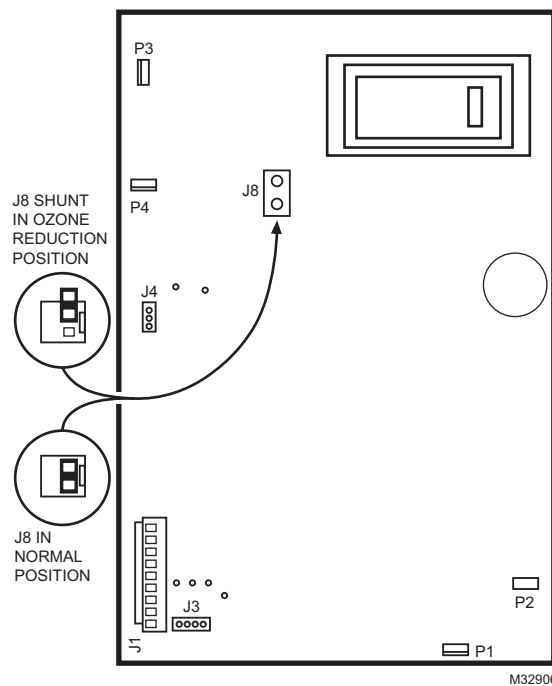
Can cause personal injury.

Always disconnect power and open access door before opening power supply cover.

The electronic air cleaner generates a small amount of ozone in normal operation. During the first week or two of operation, the amount may be higher because of sharp edges on some of the new high voltage metal parts. Normal use quickly dulls these edges.

If desired, the ozone generated by the air cleaner can be reduced in one of two ways:

1. Install an activated carbon filter downstream from the air cleaner. Make sure particles from the air filter cannot fall into the air cleaner.
2. Move J8 shorting bar. This will reduce ozone production about 20 to 25 percent and reduce efficiency about seven to ten percent, depending on actual airflow delivered by the furnace blower.
 - a. Unplug or disconnect power supply to the air cleaner.
 - b. Open the access door. See procedure and figure on page 13.
 - c. Remove the power box cover. See procedure and figure on page 13.
 - d. Move J8 shorting bar. See figure to right.



Replacement Parts

No.	Description	Nominal Return Air Opening			
		16 x 20 in. (406 x 508 mm)	16 x 25 in. (406 x 635 mm)	20 x 20 in. (508 x 508 mm)	20 x 25 in. (508 x 635 mm)
1	F300 Door includes No. 2	32007528-003		32007528-003	
2	Test Button Assembly	137980A (1)			
3	Electronic Cell	FC37A1114 (2)	FC37A1130 (2)	FC37A1049 (2)	FC37A1064 (2)
4	Cell Handle	137266 (2)	137266 (2)	137266 (2)	137266 (1)
5	Prefilter (without spring clips)	209989 (2)	203371 (2)	203373 (2)	203372 (2)
6	Cell Key	136518 (1)			
7	F300 Power Box Assembly Series Two ^b . Includes No. 8-20. 120V, 60 Hz. White Cover.	PS1201B20 (1)	PS1201B25 (1)	PS1201B20 (1)	PS1201B25 (1)
	240V, 60 Hz ^c				
8	Switch	203321 (1)			
10	F300 Power Supply, Series Two ^b . 120V, 60 Hz	PS1201A00 (1)			
	240V, 60 Hz	N/A ^c			
11	Interlock Bracket and Switch	PS1201B20 (1)			
13	Terminal Board Assembly Front	203329B (1)	203329B (1)	N/A	203329B (1)
14	Terminal Board Assembly Rear	203329A (1)		203329A (1)	
17	Line Cord	PS1201B20 or PS1201B25 (1)			
19	Neon Assembly	4074EYS (1)			
20	Airflow Switch, pin connection	4074ETH (1)			
	Airflow Switch, plug connection	4074EZB (1)		4074EZB (1)	
21	FC37A Bag Assembly for cell repair. Contains: 2 Connector Clips, 1 Terminal Board and instructions	4074EHG			
22	Post Filter (optional)	50000293-001	50000293-002	50000293-003	50000293-004

^b Series Two compatible with W8600F.

^c Use 203365A Conversion Kit for changing 120V, 60 Hz model to 240V, 60 Hz.

^d Change from white cover to black cover as a running change. Use original cover for color match.

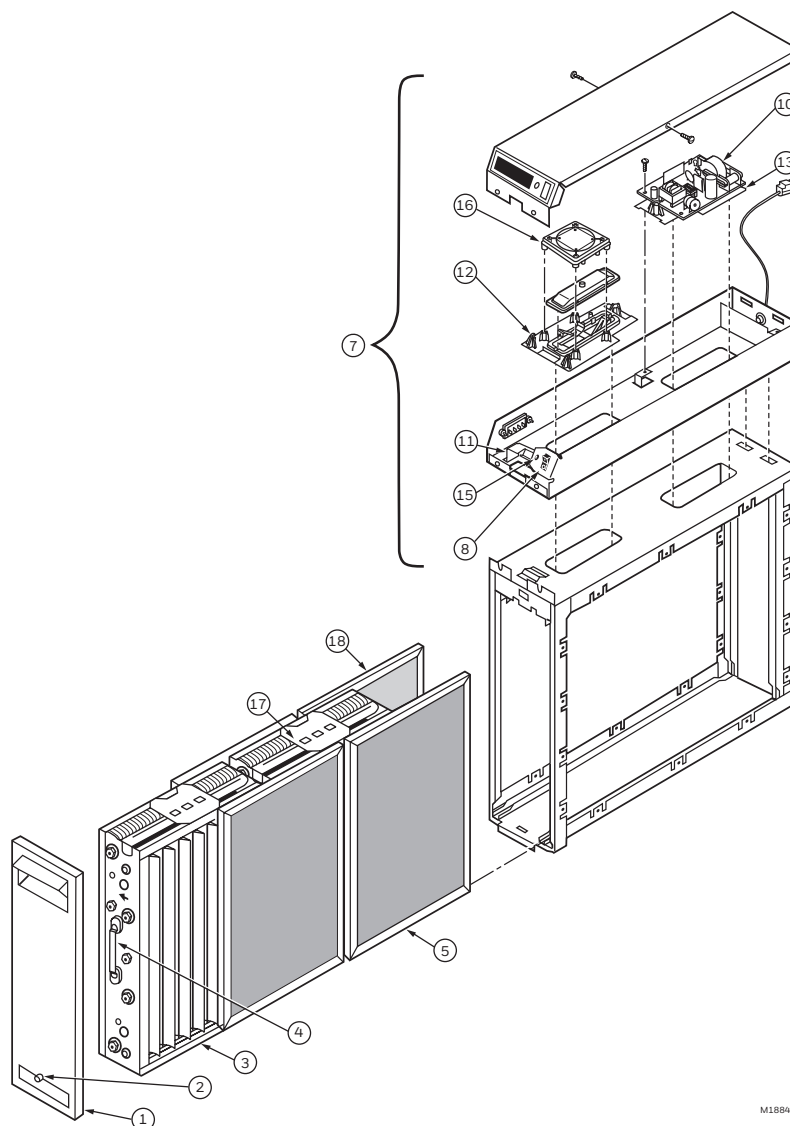
(#) = Quantity required per unit.

N/A = Not available as merchandised part.

Parts and Accessories Not Illustrated

Description	Nominal Return Air Opening				
	16 x 20 in. (406 x 508 mm)	16 x 25 in. (406 x 635 mm)	20 x 12-1/2 in. (508 x 318)	20 x 20 in. (508 x 508 mm)	20 x 25 in. (508 x 635 mm)
Air Cleaner Cabinet Gasket Kit	32002109-001 (Obsolete; only available while supplies last)				
Ionizer Wires (Multiples of 5)	136434BA	136434BA	136434AA	136434AA	136434AA
240V Conversion Kit	203365A	203365A	N/A	203365A	203365A

N/A = Not available as a merchandised part.



M18B4EG

ELECTRONIC AIR CLEANER TROUBLESHOOTING GUIDE

START

MAKE SURE ELECTRONIC CELLS ARE CLEAN, DRY AND PROPERLY INSTALLED. MAKE SURE METAL PREFILTERS ARE POSITIONED ON THE SIDE WHERE AIR ENTERS THE AIR CLEANER, AND THAT POST-FILTERS (IF ANY) ARE POSITIONED ON THE SIDE WHERE AIR LEAVES THE AIR CLEANER.

TURN THE POWER SWITCH ON THE AIR CLEANER ON, AND TURN THE HVAC FAN ON.

CHECK THE SYSTEM LIGHT ON THE AIR CLEANER.

OFF

PUSH TEST BUTTON ON THE AIR CLEANER DOOR AND LISTEN FOR SNAPPING SOUND.

YES

REPLACE LIGHT/SWITCH ASSEMBLY.

ON

PUSH TEST BUTTON ON THE AIR CLEANER DOOR AND LISTEN FOR SNAPPING SOUND.

NO

TURN OFF AIR CLEANER POWER SWITCH. REMOVE THE DOOR AND CHECK THAT THE CONTACTS ON THE INSIDE OF THE TEST BUTTON ARE OK.

NO

REPAIR CONTACTS ON TEST BUTTON.

YES

AIR CLEANER IS FUNCTIONING PROPERLY.

YES

REMOVE THE CELLS (LEAVE THE PREFILTERS IN PLACE). CLOSE THE ACCESS DOOR AND TURN ON THE AIR CLEANER POWER SWITCH.

INSPECT THE CELLS FOR
 — BENT COLLECTOR PLATES
 — BROKEN IONIZER WIRES
 — DIRT ACCUMULATION ON THE INSULATORS
 — DAMAGED CONTACTS ON THE TERMINAL BOARD AT THE END OF THE CELL

CHECK THE SYSTEM LIGHT ON THE AIR CLEANER.

ON

REPLACE OR REPAIR CELLS.

NO

WITH AN OHMMETER, CHECK FOR SHORT BETWEEN:
 — CELL FRAME AND IONIZER WIRES
 — CELL FRAME AND COLLECTOR BLADES

WARNING

THIS STEP EXPOSES DANGEROUSLY HIGH VOLTAGE. ONLY A QUALIFIED SERVICE TECHNICIAN SHOULD ATTEMPT THIS STEP.

CHECK FOR CORRECT INPUT VOLTAGE ACROSS P1 AND P2 TERMINALS ON POWER SUPPLY BOARD.

NO

FIX WIRING.

REPLACE AIR CLEANER POWER SUPPLY.

YES

SHORT DETECTED

REPLACE CELLS.

NO SHORT

CELLS OK. REPLACE AIR CLEANER POWER SUPPLY.

TO USE THIS CHART:

1. FOLLOW THE STEPS IN ORDER. DO NOT SKIP AROUND.
2. EACH TIME A PROBLEM IS FIXED, GO BACK TO START.
3. REPEAT ALL THE STEPS UNTIL THE AIR CLEANER CHECKS OUT OK.

NOTE: IF A W8600F AIR CLEANER MONITOR IS CONNECTED TO THE AIR CLEANER, DISCONNECT THE AIR CLEANER FROM THE W8600F BEFORE STARTING THIS PROCEDURE. THE W8600F CAN BE CHECKED SEPARATELY. SEE W8600F INSTRUCTION SHEET.

THIS AIR CLEANER PRODUCES A TRACE LEVEL OF OZONE AS A BY-PRODUCT OF NORMAL OPERATION, WHICH IS WELL UNDER THE LIMIT PRESCRIBED BY THE U.S. F.D.A. PLEASE REFER TO YOUR OWNERS MANUAL FOR FURTHER INFORMATION. FOR A REPLACEMENT OWNERS MANUAL, CALL 1-800-468-1502 OR VISIT honeywellhome.com

WARNING

INCORRECT CONVERSION TO MEDIA AIR CLEANER CAN CAUSE FIRE HAZARD. WHEN CONVERTING AN ELECTRONIC AIR CLEANER TO A MEDIA AIR CLEANER THE POWER SUPPLY MUST BE REMOVED OR PERMANENTLY DISABLED.

M13656B

Electronic Air Cleaner Wash Reminder and Postfilter Replacement Schedule

Resideo recommends that you wash the electronic air cleaner and replace the postfilter at least once per year from the installation date. Use the table below to track your Electronic Air Cleaner maintenance.

Installation Date:			
Date	Air Cleaner Wash	Postfilter Replacement	Initials
	<input type="checkbox"/>	<input type="checkbox"/>	
	<input type="checkbox"/>	<input type="checkbox"/>	
	<input type="checkbox"/>	<input type="checkbox"/>	
	<input type="checkbox"/>	<input type="checkbox"/>	
	<input type="checkbox"/>	<input type="checkbox"/>	
	<input type="checkbox"/>	<input type="checkbox"/>	
	<input type="checkbox"/>	<input type="checkbox"/>	
	<input type="checkbox"/>	<input type="checkbox"/>	
	<input type="checkbox"/>	<input type="checkbox"/>	
	<input type="checkbox"/>	<input type="checkbox"/>	
	<input type="checkbox"/>	<input type="checkbox"/>	
	<input type="checkbox"/>	<input type="checkbox"/>	



www.resideo.com

Resideo Technologies, Inc.
1985 Douglas Drive North, Golden Valley, MN 55422
1-800-468-1502
68-0240EFS-01 M.S. 04-20 | Printed in United States

© 2020 Resideo Technologies, Inc. All rights reserved.
The Honeywell Home trademark is used under license from Honeywell International, Inc.
This product is manufactured by Resideo Technologies, Inc. and its affiliates.
Tous droits réservés. La marque de commerce Honeywell Home est utilisée avec l'autorisation d'Honeywell International, Inc.
Ce produit est fabriqué par Resideo Technologies, Inc. et ses sociétés affiliées.
Todos los derechos reservados. La marca comercial Honeywell Home se utiliza bajo licencia de Honeywell International, Inc.
Este producto es fabricado por Resideo Technologies, Inc. y sus afiliados.

Honeywell Home

Épurateur d'air amélioré



POUR
COMMENCER

MONTAGE

CÂBLAGE

DONNÉES
TECHNIQUES

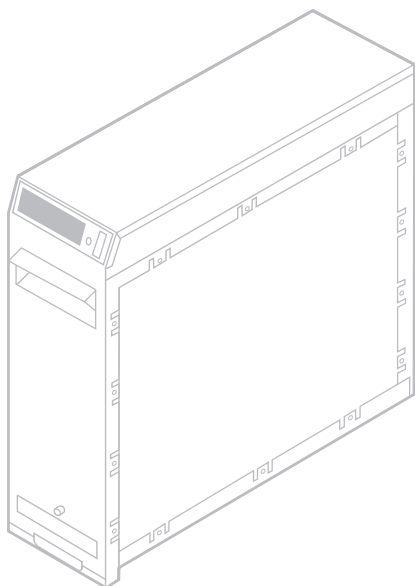
FONCTIONNEMENT
ET RÉPARATION

ANNEXES

GUIDE D'INSTALLATION PROFESSIONNELLE.



INCLUS DANS CETTE BOÎTE



F300A1620
F300A1625
F300A2012
F300A2020
F300A2025
F300B2012
F300E1001
F300E1019
F300E1027
F300E1035

Outils requis pour installer l'épurateur d'air électronique

- ▶ Tournevis normal
- ▶ Tournevis cruciforme
- ▶ Cisailles à tôle
- ▶ Perceuse
- ▶ Produit d'étanchéité de gaine
- ▶ Pincés de verrouillage

Post-filtres à fibres de recharge

Dimension de l'épurateur (po)	Référence de pièce
12,5 x 20	50000293-004
16 x 25	50000293-002
16 x 20	50000293-001
20 x 25	50000293-004
20 x 20	50000293-003

Épurateur d'air amélioré

POUR
COMMENCER

MONTAGE

CÂBLAGE

DONNÉES
TECHNIQUES

FONCTIONNEMENT
ET RÉPARATION

ANNEXES



BESOIN D'AIDE? Pour obtenir de l'aide sur ce produit, prière de visiter le site honeywellhome.com ou d'appeler le service d'assistance à la clientèle de Resideo au 1-800-468-1502.

Lire et conserver ces instructions.

® Marque de commerce déposée américaine. Brevets en instance. Copyright © 2019 Resideo Technologies, Inc. Tous droits réservés.

À propos de l'épurateur d'air électronique de Resideo

Félicitations pour votre choix de l'épurateur d'air électronique Resideo pour votre système de confort d'intérieur! L'épurateur d'air électronique F300 capture et retire une quantité considérable de particules contenues dans l'air circulant par le filtre à fibres à plis haute efficacité. L'épurateur d'air électronique se monte facilement dans toutes les positions dans la gaine d'air de retour de tout appareil de chauffage à gaz, mazout, électrique et air pulsé et les systèmes de refroidissement par compresseur jusqu'à 5 tonnes.

Lors de l'installation du produit...

1. Lisez attentivement ces instructions. Le non-respect des instructions peut endommager le produit ou provoquer une situation dangereuse.
2. Vérifiez les caractéristiques nominales indiquées dans les instructions et sur le produit pour s'assurer que le produit correspond bien à l'application prévue.
3. L'installateur doit être un technicien expérimenté ayant reçu la formation adéquate.
4. Une fois l'installation terminée, vérifiez que le produit fonctionne comme indiqué dans ces instructions.

Fonctionnement

Les grosses particules (peluche, cheveux) sont piégées dans le préfiltre. Au fur et à mesure que l'air sale passe par le champ électrique haute tension intense entourant les fils de l'ionisateur, toutes les particules reçoivent une charge électrique.

L'air passe ensuite par l'élément collecteur de la cellule ou des plaques parallèles alternantes sont chargées positivement et négativement, créant un champ électrostatique uniforme. Les particules chargées sont attirées et recueillies sur les plaques de charge électrique opposée.

Modèles F300E seulement : L'air passe ensuite à travers les autres filtres en supprimant d'autres particules du courant d'air. L'air sortant du purificateur d'air contient moins de particules. Chaque fois que l'air circule à travers le purificateur d'air électronique, plus de particules sont retirées.

Considérations relatives à l'application

L'épurateur d'air électronique F300 de Resideo est conçu pour fonctionner avec les appareils de chauffage à gaz, mazout, électrique et air pulsé et les systèmes de refroidissement par compresseur. Il peut aussi être utilisé avec des thermopompes uniquement si le filtre est remplacé régulièrement pour éviter les chutes de pression excessives. L'épurateur d'air électronique F300 n'est pas recommandé dans les applications pour lesquelles une chute de pression peut avoir de graves conséquences.

Modèles

F300E : Inclut armoire, porte d'accès, bloc d'alimentation à semi-conducteur, deux cellules électroniques, deux préfiltres à mailles en métal et deux postfiltres à fibres.

F300A, B : Inclut armoire, porte d'accès, bloc d'alimentation à semi-conducteur, deux cellules électroniques et deux préfiltres à mailles en métal.



Climatisation

Montez l'épurateur d'air électronique en amont du serpentin d'évaporation du système de refroidissement. Le filtre permet de maintenir la propreté du serpentin et de réduire l'entretien.

Humidificateurs

Un humidificateur à évaporation peut être monté en amont de l'épurateur d'air. Un humidificateur à atomisation peut être monté en aval de l'épurateur d'air, même si des sels d'eau dure sont soufflés dans les pièces habitables et déposés sous forme de poussière. Si un humidificateur à évaporation peut être monté en amont de l'épurateur d'air :

1. Montez-le aussi loin que possible en amont de l'épurateur d'air.
2. Installez un filtre de chaudière jetable standard entre l'humidificateur et l'épurateur d'air pour piéger les gouttes d'eau et les sels d'eau dure.
3. Nettoyez fréquemment l'épurateur d'air pour empêcher l'accumulation de sels d'eau dure.

REMARQUE : Le volume d'eau déchargé d'un humidificateur à atomisation peut surcharger l'épurateur d'air, entraînant des dépôts de sels d'eau dur sous forme de poussière dans les espaces habitables.

Admission d'air extérieur

La température de l'air de retour doit être d'au moins 4 °C (40 °F). Des températures inférieures peuvent aussi causer une panne des fils de l'ionisateur. Si de l'air extérieur est utilisé, réchauffez-le en amont de l'épurateur d'air en :

- Vous assurant que l'admission d'air extérieur est suffisamment en amont de l'épurateur d'air pour que l'air de retour et extérieur soient bien mélangés. L'air stratifié peut dégager un flux d'air très froid dans une section de l'épurateur d'air.
- Ajoutant des déflecteurs en amont de l'épurateur d'air pour assurer un bon mélange de l'air.
- Installant un ventilateur à récupération de chaleur ou d'énergie de Resideo pour transférer jusqu'à 80 % de la chaleur de l'air d'échappement à l'air extérieur entrant. Ceci permet de maintenir l'air entrant à une température supérieure à 4 °C (40 °F) et de réduire les coûts d'énergie.
- Installant un préchauffage si de grands volumes d'air extérieur sont utilisés. Le préchauffage, qui peut être un réchauffeur à lame électrique ou un serpentin à eau chaude, doit être contrôlé par un thermostat. Les serpentins à eau chaude ou à vapeur doivent être protégés par une protection contre le gel.

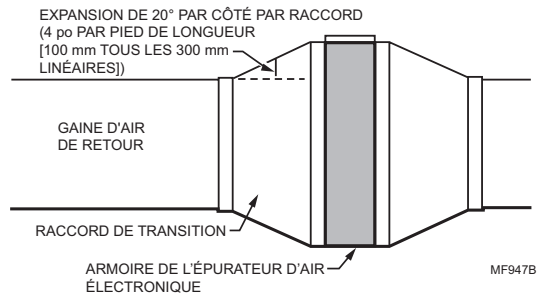
Lampes UV

Les lampes UV germicides peuvent endommager le post-filtre à fibres. Elles doivent être situées hors de l'axe directe ou à un minimum de 3 pieds du filtre. Dans le cas contraire, le filtre doit être remplacé plus fréquemment.

Gaine

L'épurateur d'air électronique peut être adapté à tous les systèmes de chauffage et de refroidissement à air pulsé neufs ou existants utilisés dans les applications résidentielles. Des transitions ou des aubes directrices peuvent être requises dans certaines applications pour une épuration de l'air plus efficace.

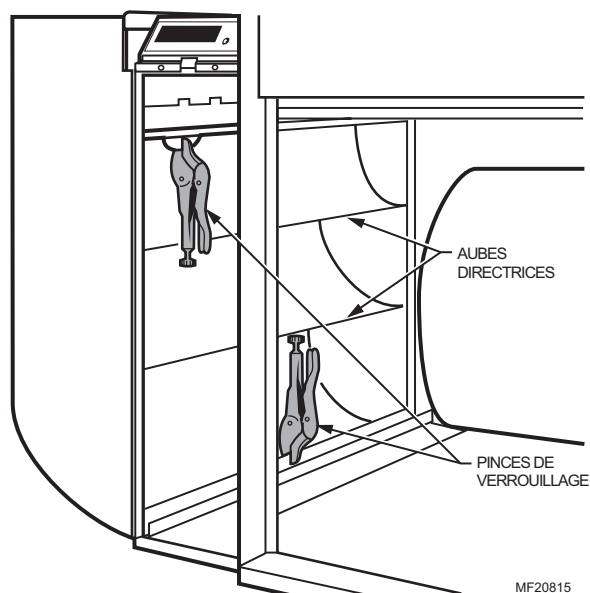
DIMENSION DE GAINÉ MODIFIÉE GRADUELLEMENT POUR ÉVITER LES TURBULENCES.



Transitions

Pour un nettoyage de l'air optimal, le débit d'air doit passer uniformément sur la face de l'épurateur. Si la taille de la gaine est différente de l'armoire de l'épurateur à air électronique, des transitions graduelles sont requises. Suivez ces instructions lors de la fabrication :

- Utilisez des transitions graduelles pour réduire les turbulences de l'air et augmenter l'efficacité.
- Utilisez des expansions de 20° maximum (environ 4 po par pied de longueur [100 mm tous les 300 mm linéaires]) de chaque côté du raccord de transition.

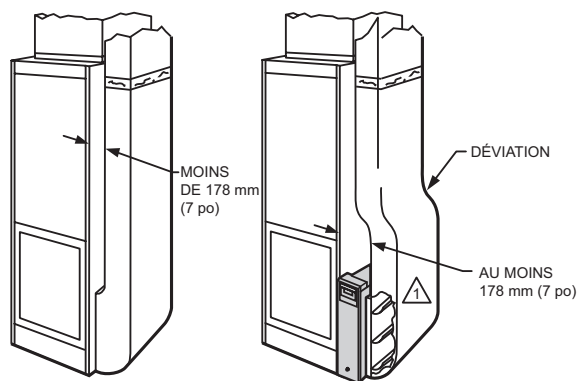


Aubes directrices

Si l'épurateur d'air électronique est installé près d'un coude ou d'un raccord à angle, ajoutez des aubes directrices dans le coude pour distribuer le débit de façon plus uniforme sur la face de la cellule.

Déviations

Si la connexion de la gaine à la chaudière dans une installation latérale alloue un espace inférieur à 7 po (178 mm) pour le montage de l'armoire de l'épurateur d'air électronique, attachez une déviation au coude.



⚠ AUBES DIRECTRICES REQUISES POUR UNE DISTRIBUTION UNIFORME DU DÉBIT D'AIR

MF948B

Exigences d'installation importantes

Le non-respect de ces exigences annulera la garantie, nuira à l'installation et entraînera des appels de service injustifiés.

Sécurité personnelle

- Portez des lunettes de protection lors de l'installation de l'unité.
- Veillez à ne pas entailler la conduite électrique ou de climatisation.
- Respectez les normes de sécurité professionnelles et les codes de plomberie et d'électricité et d'installations mécaniques.

Avant le montage

- En consultant la figure sur le couvercle et les listes dans le couvercle intérieur, assurez-vous que tous les composants requis pour le modèle d'épurateur d'air électronique de Resideo et tous les outils pour l'installation sont présents.
- Assurez-vous que la direction du débit d'air par l'épurateur d'air électronique de Resideo correspond aux flèches sur la cellule électronique. Les flèches doivent pointer dans la direction du flux d'air.
- Choisissez un emplacement facilement accessible pour la vérification et le nettoyage des cellules. Allouez au moins 330 mm (13 po) devant la porte d'accès pour le retrait du préfiltre à maille métallique, du post-filtre à fibres et de la cellule électronique. Allouez un espace suffisant au-dessus du bloc d'alimentation pour faire l'entretien sans retirer les canalisations, les gaines et les autres organes du système de chauffage.
- Installez l'épurateur d'air électronique à un endroit où la température ne dépasse pas les valeurs indiquées dans la section Caractéristiques techniques.
- Ne montez pas l'appareil dans le conduit d'alimentation d'air.

REMARQUE : De manière générale, le meilleur emplacement est dans la gaine d'air de retour près du compartiment de la soufflante pour favoriser la propreté du moteur de la soufflante et des serpentins d'évaporation.

Pour le remplacement d'un ancien épurateur à air

Si l'épurateur à air électronique de Resideo n'est pas identique au filtre à air existant en matière de taille et de forme, avant d'effectuer une installation de modernisation, il peut être nécessaire d'ajouter des transitions de gaine pour assurer un débit d'air régulier. Pour assurer une performance optimale du système, nettoyez les cellules tous les six à douze mois (avant la saison de chauffage et avant la saison de refroidissement). Réglez le programme en fonction des besoins, mais nettoyez les cellules au moins une fois par an.

REMARQUE : Avant d'effectuer toute activité de nettoyage ou d'entretien, vous devez couper l'alimentation électrique au produit.

Sélection de la position de montage

L'épurateur d'air électronique se monte dans n'importe quelle position dans la gaine d'air de retour, en général près du compartiment de la soufflante de la chaudière, mais la flèche du filtre doit pointer dans la direction du débit d'air. Voir les Fig. 1-8 pour l'emplacement de l'épurateur d'air électronique pour une variété d'installations d'appareils de chauffage.

REMARQUE : L'armoire de l'épurateur d'air électronique est suffisamment robuste pour aisément soutenir le poids de la chaudière et du serpentins d'évaporation.

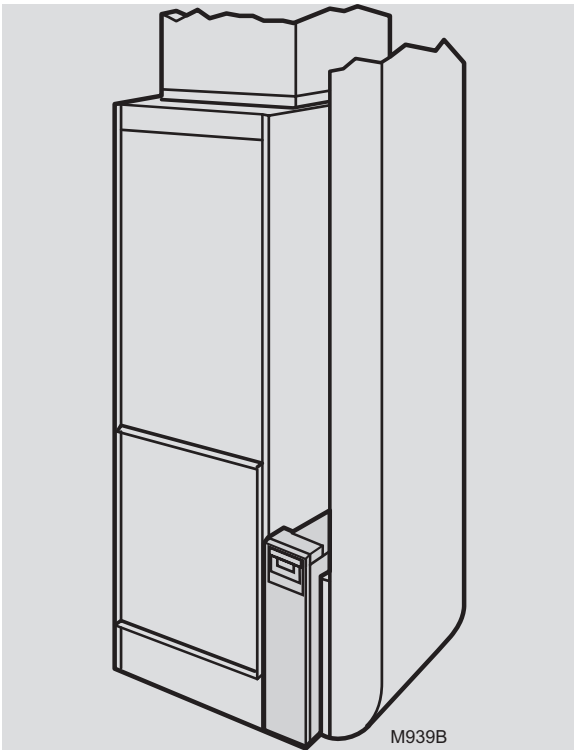


Fig. 1. Chaudière superposée avec installation latérale. L'épurateur d'air électronique se monte verticalement à l'endroit où l'air de retour pénètre dans l'entrée latérale de la chaudière.

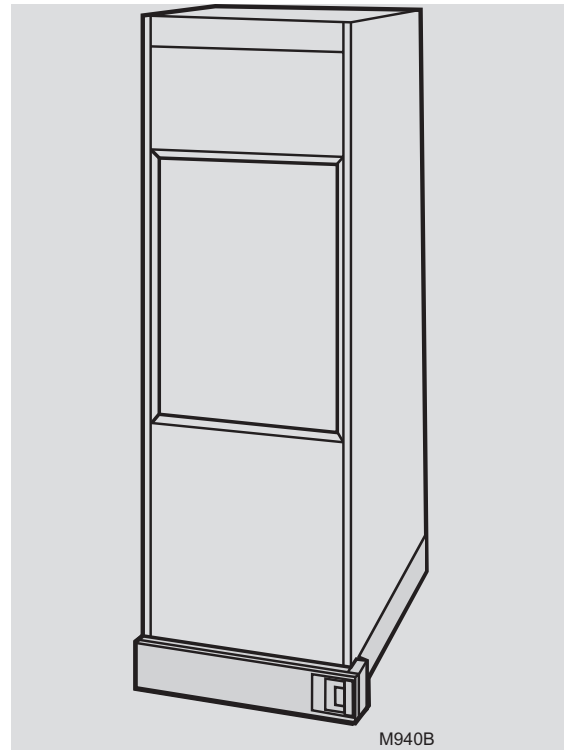


Fig. 2. Chaudière superposée avec installation sous la chaudière. L'épurateur d'air électronique se monte horizontalement à l'endroit où l'air de retour pénètre par en dessous.

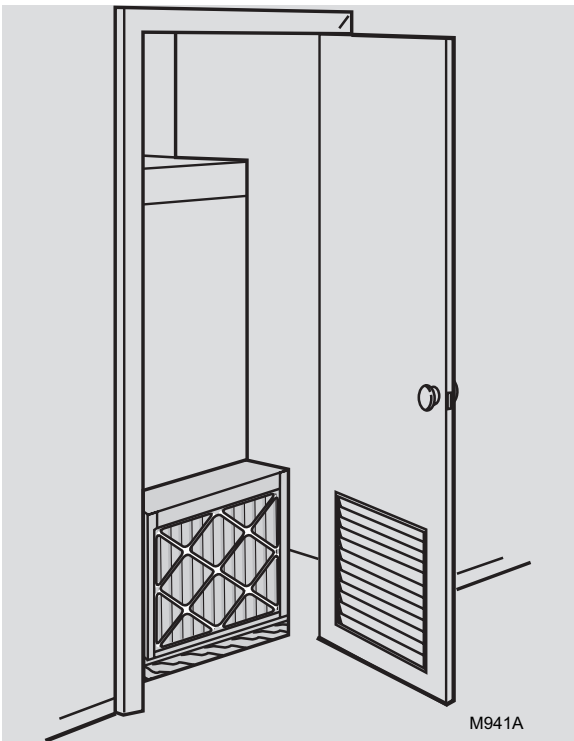


Fig. 3. Chaudière superposée avec installation dans un placard. L'épurateur d'air électronique se monte verticalement sur la chaudière entre cette dernière et l'ouverture de l'air de retour à volets de la porte du placard.

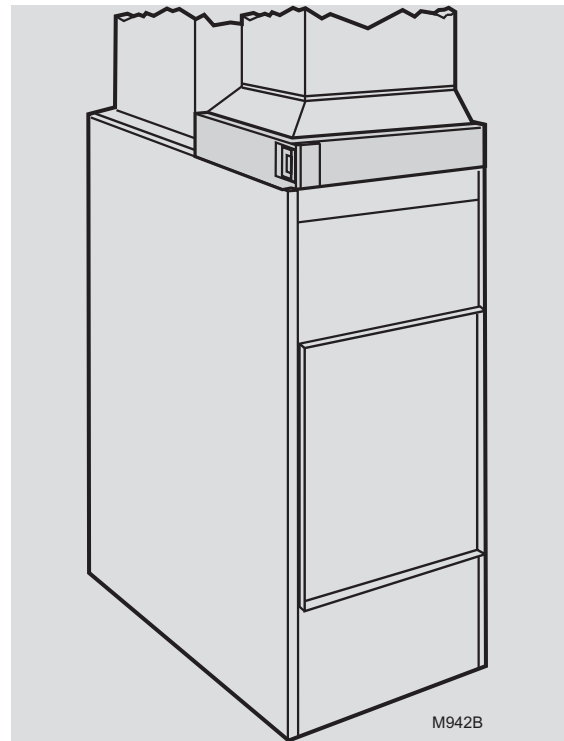


Fig. 4. Chaudière juxtaposée avec épurateur d'air électronique monté horizontalement dans le plénum de retour juste au-dessus de la chaudière et à l'opposé du plénum de chauffage.

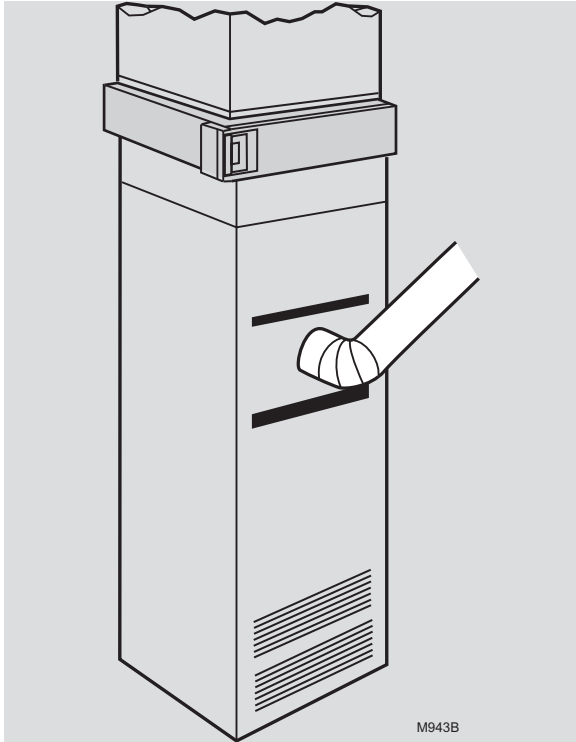


Fig. 5. Chaudière à contrecourant avec épurateur d'air électronique monté horizontalement dans la gaine de retour ou le plénum juste au-dessus de la chaudière.

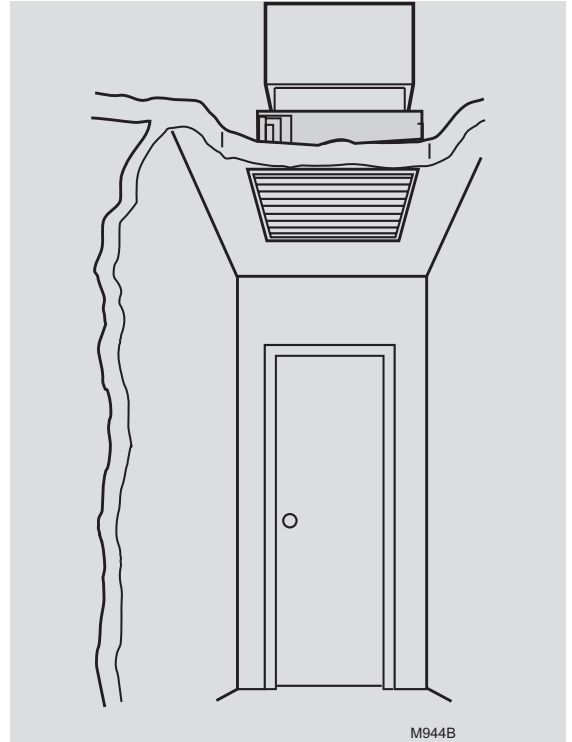


Fig. 6. Installation de ventilation centrale avec épurateur d'air électronique monté horizontalement dans la gaine de retour centrale.

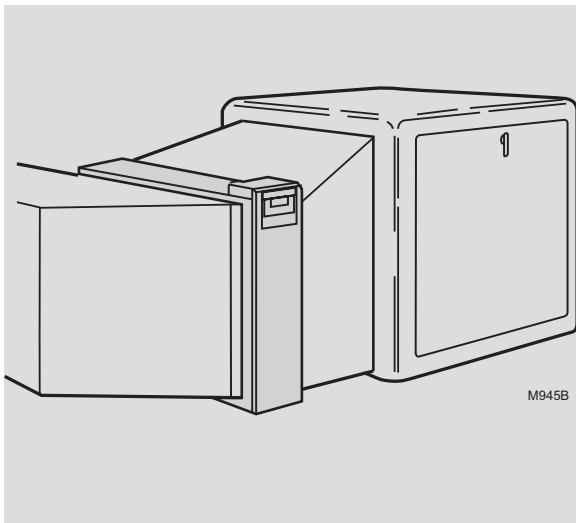


Fig. 7. Chaudière horizontale avec épurateur d'air électronique monté verticalement dans la gaine de retour près de la chaudière.

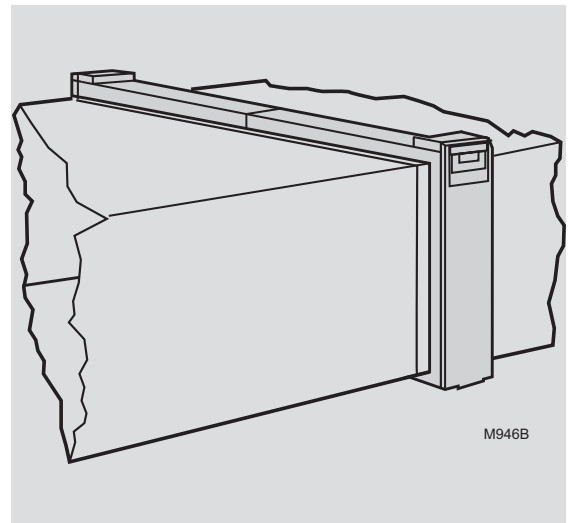


Fig. 8. Deux épurateurs d'air électroniques ou plus utilisés dans un système haute capacité.

Montage de l'épurateur d'air électronique F300

La procédure suivante décrit une installation latérale typique sur une chaudière superposée existante (Fig. 1). Les autres procédures sont indiquées selon le besoin. D'autres modifications des procédures d'installation peuvent être nécessaires pour terminer l'installation.

ÉTAPE 1 : Déballage de l'épurateur d'air électronique

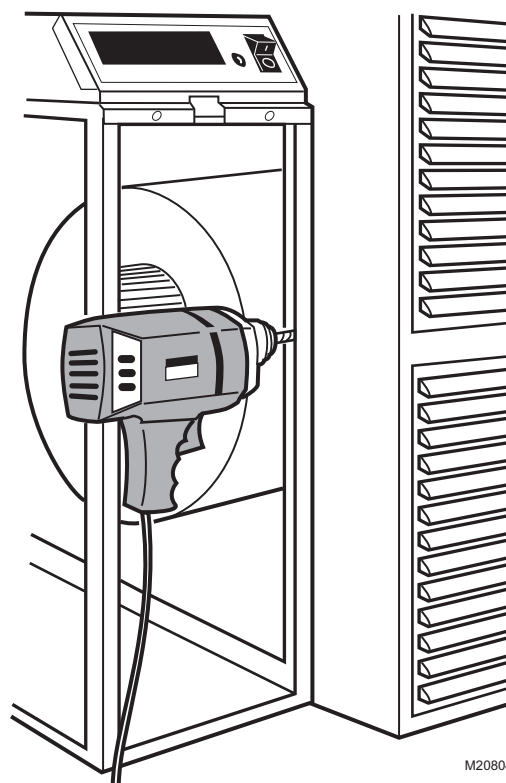
- a. Vérifiez que tous les composants sont présents. L'épurateur d'air électronique est expédié assemblé. L'unité comprend une armoire en acier galvanisé, un bloc d'alimentation avec interrupteur marche/arrêt et lampe néon, deux cellules électroniques, deux préfiltres à maille métallique, deux post-filtres à fibres (sur certains modèles), une porte d'accès et la documentation relative au produit.

ÉTAPE 2 : Nettoyage du compartiment de la soufflante

- a. Retirez l'ancien filtre et jetez-le.
- b. Nettoyez en profondeur le compartiment de la soufflante.
- c. Si possible, nettoyez les gaines à l'aspirateur pour retirer la poussière accumulée dans une maison occupée ou la poussière de construction dans une maison nouvellement construite. L'épurateur d'air électronique ne peut pas retirer la poussière accumulée dans le compartiment de la soufflante et des gaines de distribution.
- d. Contrôlez les bords des pales du ventilateur de la chaudière pour détecter l'accumulation de saleté éventuelle et l'ôter. Le ventilateur ne fournira pas le débit nominal (pi3/min) si les pales sont sales.

ÉTAPE 3 : Fixation de l'armoire à la chaudière

- a. Retirez la porte d'accès, les cellules électroniques, les préfiltres à maille métallique et les post-filtres à fibres.
- b. Alignez l'armoire sur l'ouverture de l'air de retour.
- c. Créez une ouverture dans l'appareil de chauffage correspondant à l'ouverture de l'armoire.
- d. Installez une transition si les ouvertures de la chaudière et de l'épurateur d'air sont de taille différente. Consultez Transitions à la page 5.
- e. Placez des cales sous l'armoire pour que l'unité soit fermement soutenue et mise à niveau. Le pied de montage de 16 mm (5/8 po) de la plaque d'articulation de l'armoire fournit le dégagement minimum requis pour l'articulation de la porte d'accès.
- f. Attachez fermement l'armoire à la chaudière. L'unité peut être attachée directement, comme illustré, ou un collet de départ peut être installé sur l'ouverture de la chaudière. Percez des trous et fixez avec des vis à tôle ou des rivets, ou utilisez des joints coulissants.



ÉTAPE 4 : Installation des aubes directrices

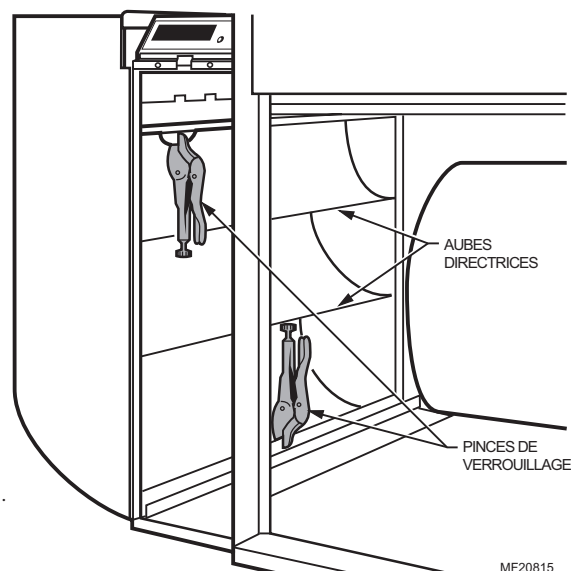
Installez les aubes directrices pour favoriser une distribution égale de l'air sur toute la surface du côté en amont de l'épurateur d'air. Installez-les lorsqu'un coude à 90° abrupt est installé directement contre l'armoire de l'épurateur d'air électronique.

ÉTAPE 5 : Fixation de l'armoire aux gaines

Attachez le côté de l'armoire aux gaines à l'aide de vis à tête, de rivets ou de joints coulissants, selon le besoin.

ÉTAPE 6 : Connexion des gaines

- Connectez la section de gaine verticale au coude. Si la section verticale est située à moins de 178 mm (7 po) du côté de l'appareil de chauffage, raccourcissez la section horizontale ou attachez un raccord de déviation au coude. Consultez la figure à droite.
- Lorsque la gaine est bien alignée, branchez la gaine verticale à la section horizontale.



ÉTAPE 7 : Étanchéification des joints

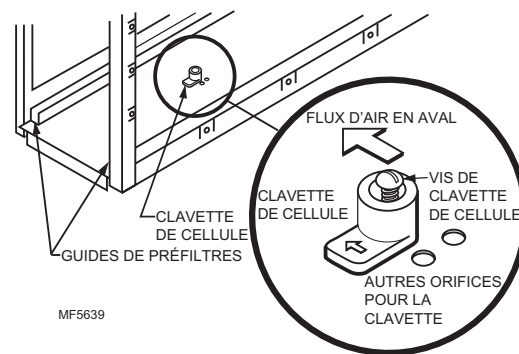
Étanchéifiez tous les joints du système d'air de retour entre l'épurateur d'air et l'appareil de chauffage pour éviter la poussière de pénétrer dans le flux d'air propre.

ÉTAPE 8 : Positionnement de la clavette de cellule

La cellule électronique doit toujours être installée sur la section de l'ionisateur située en amont. Une clavette de cellule installée en usine au bas de l'armoire permet d'insérer la cellule dans une direction seulement. Si la flèche moulée dans la clavette en plastique pointe dans la même direction que le flux d'air, l'ionisateur est toujours situé en amont.

Si la position de la clavette doit être inversée, procédez de la façon suivante :

- Retirez la cellule électronique.
- Retirez la vis maintenant la clavette de la cellule en place.
- Tournez la clavette à l'opposé et placez-la sur les trous opposés. La languette située en bas s'insère dans le trou le plus grand et la vis dans le trou plus petit. Assurez-vous que la flèche de la clavette pointe dans la direction du flux d'air (en aval).
- Serrez la vis dans le nouveau trou.
- Insérez la cellule électronique. La section de l'ionisateur est maintenant située sur le côté admission d'air (en amont) de l'armoire.

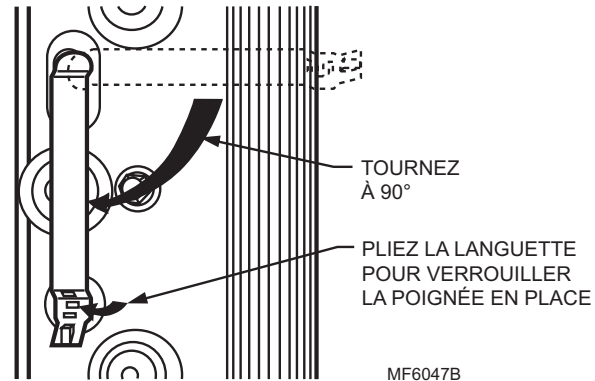


ÉTAPE 9 : Fixation des poignées de cellule

Les poignées de cellules incluses avec l'épurateur d'air doivent être installées à l'extrémité de la cellule le plus près de la porte d'accès. Pour installer :

- Orientez la cellule dans sa position d'installation. La plaque à contacts grise doit être vers le haut et la flèche de flux d'air moulée sur la cellule doit pointer en aval.
- Tenez la poignée latéralement et insérez la languette pleine à l'arrière de la poignée dans la fente de la cellule. Tournez la poignée à 90° dans le sens des aiguilles d'une montre pour aligner la languette divisée dans le trou carré.
- Insérez la languette divisée dans le trou carré.
- Pliez le coin et insérez-le dans la languette divisée pour verrouiller la poignée en position. Si nécessaire, appuyez avec un instrument émoussé, comme l'extrémité d'une pince.

INSTALLEZ LA POIGNÉE À L'EXTRÉMITÉ DE LA CELLULE LA PLUS PROCHE DE LA PORTE D'ACCÈS



ÉTAPE 10 : Remontage de l'épurateur d'air

- Insérez les cellules électroniques avec la plaque à contacts grise vers le bloc d'alimentation et la flèche de débit d'air pointant en aval. Si la cellule ne glisse pas facilement dans l'armoire, vérifiez l'orientation de la clavette de la cellule.
- Insérez les préfiltres à maille métallique dans le côté en amont de l'armoire dans le guide fourni.
- Insérez les post-filtres à fibres (sur certains modèles) sur le côté en aval de l'armoire dans le guide fourni.
- Remplacez la porte d'accès. Insérez la languette au bas de la porte dans la fente de l'armoire, puis faites-la pivoter pour la fermer et poussez-la en place. La porte doit être fermement positionnée pour que l'épurateur d'air fonctionne.

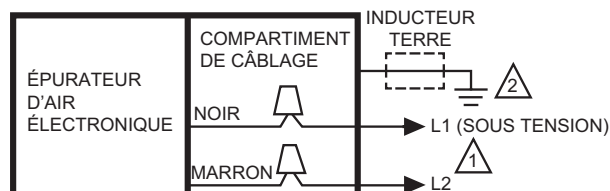
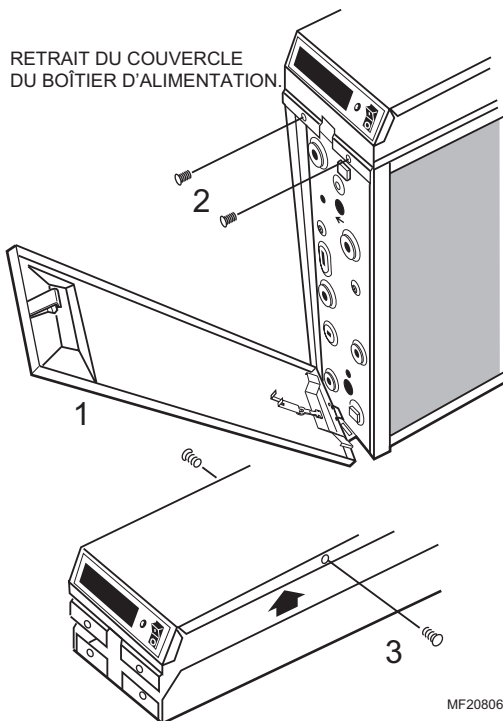
ÉTAPE 11 : Fin du câblage

AVERTISSEMENT

Risque de choc électrique.
Peut causer des blessures.
N'utilisez pas de rallonge électrique.

- Assurez-vous que tout le câblage est conforme aux codes et aux règlements locaux.
- La source d'alimentation secteur doit correspondre à la tension et à la fréquence inscrites sur l'étiquette à l'intérieur de la porte d'accès.
- Lorsque le ventilateur du système se met en marche, le commutateur de débit d'air (AFS) détecte la pression négative dans la gaine et met le bloc d'alimentation en marche. Si l'alimentation de l'épurateur d'air est contrôlée par un autre commutateur, l'AFS peut être désactivé en déconnectant sa broche J3 et en coupant le cavalier R16 vers le bloc d'alimentation.
- Branchez l'épurateur d'air électronique directement dans la prise de tension et de fréquence correctes. Consultez la figure page 12 pour le schéma interne. L'épurateur d'air fonctionne correctement avec n'importe quel ventilateur lorsqu'il est câblé avec le conduit ou branché.

8. Câblez le fil de terre du cordon d'alimentation à l'inducteur de terre à l'aide du serre-fil. Fixez la connexion de terre à la vis de terre verte sur la barrière du compartiment de câblage.
9. Remplacez le couvercle et la porte d'accès du bloc d'alimentation.



1 BLOC D'ALIMENTATION. PLACEZ SI NÉCESSAIRE UN DISPOSITIF DE COUPE ET UNE PROTECTION CONTRE LES SURCHARGES.

2 L'ÉPURATEUR D'AIR PEUT ÊTRE COMPLÈTEMENT ISOLÉ DU CIRCUIT ÉLECTRIQUE DU SYSTÈME DE CVCA SAUF SI LA RÉGLEMENTATION LOCALE EXIGE D'UTILISER LE MÊME CIRCUIT. TOUT CIRCUIT RÉSIDENTIEL PRATIQUE PEUT ALIMENTER L'ÉPURATEUR D'AIR, INDÉPENDAMMENT DE LA TENSION ÉLECTRIQUE DU SYSTÈME DE CVCA.

MF32905

Vérification

Vérifiez l'installation visuellement et assurez-vous que :

- Le débit d'air est dans la direction de la flèche sur les cellules électroniques.
- Le préfiltre à maille métallique est sur le côté en amont et le post-filtre à fibres (le cas échéant) est sur le côté en aval.
- Les poignées de cellule sont orientées vers l'extérieur.
- La cellule électronique et le préfiltre sont propres et secs.
- Les aubes directrices et les transitions, le cas échéant, sont correctement installées.
- Les joints dans la tôle entre l'épurateur d'air électronique et le système de chauffage et de refroidissement sont scellés.
- Tous les raccords de tôle sont bien en place.
- Le filtre de chaudière d'origine a été retiré et le compartiment de la soufflante est propre.

Une fois les vérifications terminées :

- Remplacez toutes les portes d'accès retirées durant l'installation ou la vérification.
- Mettez la chaudière ou le système de refroidissement en marche sur un cycle complet pour vous assurer que le système fonctionne correctement.

Vérification du fonctionnement de l'épurateur d'air

Avec tous les composants en place, actionnez l'interrupteur de l'épurateur d'air et **actionnez la soufflante du système. Vérifiez les points de fonctionnement suivants :**

1. La lampe néon près de l'interrupteur marche/arrêt est allumée. La lampe néon indique que l'épurateur d'air est active et que **le bloc d'alimentation haute tension fonctionne correctement.**
2. Désactivez la soufflante du système. La lampe néon doit s'éteindre après quelques secondes.
3. Mettez la soufflante du système en marche. Une fois l'épurateur d'air activé, appuyez sur le bouton de test. Un claquement indique que la tension du collecteur est présente sur la cellule.
4. Avec une soufflante à plusieurs vitesses, répétez les étapes 1 à 3 pour chaque vitesse de ventilateur.

Entretien

L'épurateur d'air doit être nettoyé lorsque la chute de pression atteint 0,5 po c.e. (0,1 kPa) ou une fois par an au minimum. Si l'épurateur d'air est installé en aval d'un humidificateur à pulvérisation ou si l'installation inclut chauffage et refroidissement, un remplacement plus fréquent peut être requis. Les préfiltres obstrués doivent être rapidement remplacés pour éviter les restrictions du débit d'air et une réduction de l'efficacité du système de chauffage/refroidissement. Notez la date d'entretien dans l'espace fourni sur la fiche de rappel de nettoyage de l'épurateur d'air et le calendrier de remplacement du post-filtre.

Caractéristiques techniques

Les caractéristiques techniques de cette publication n'incluent pas les tolérances de fabrication normales. En conséquence, une unité individuelle peut ne pas correspondre exactement aux caractéristiques techniques indiquées. Ce produit est testé et étalonné dans des conditions strictement contrôlées, et des différences de performance mineures peuvent avoir lieu si ces conditions sont différentes.

Efficacité fractionnelle

Taux d'efficacité : Les taux d'efficacité sont basés sur la norme 52.2-1999 de la Société américaine des ingénieurs en chauffage, réfrigération et climatisation (ASHRAE). Ils sont définis pour les petites particules, E1=0,3 à 1 micron; les particules moyennes, E2=1,0 à 3,0 microns; et les grosses particules, E3=3,0 à 10,0 microns.

Tableau 5. Efficacité fractionnelle avec et sans post-filtre.

Avec post-filtre	Sans post-filtre
E1 = Jusqu'à 81 % à 492 pi/m.	E1 = Jusqu'à 73 % à 492 pi/m.
E2 = Jusqu'à 93 % à 492 pi/m.	E2 = Jusqu'à 88 % à 492 pi/m.
E3 = Jusqu'à 99 % à 492 pi/m.	E3 = Jusqu'à 95 % à 492 pi/m.

Température nominale

Température ambiante de service :

4 °C à 52 °C (40 °F à 125 °F)

Température du flux d'air par les cellules :

4 °C à 52 °C (40 °F à 125 °F)

Température maximale de lavage des cellules :

140 °C (220 °F).

Température ambiante de stockage et de transport :

-40 °C à +60 °C (-40 °F à +140 °F).

Caractéristiques électriques

Tension et fréquence :

Modèles disponibles pour 120 V, 60 Hz, 240 V, 60 Hz. Les modèles à 120 V peuvent être convertis sur site à 240 V, 60 Hz ou 220/240 V, 50 Hz avec le nécessaire de conversion 203365A.

Consommation d'énergie :

Modèles à une cellule : 22 W maximum.

Modèles à deux cellules : 36 W maximum.

Appel de courant : Voir le tableau 2.

Tension de l'ionisateur : 8150 V c.c.

Tension du collecteur : 4075 V c.c.

Montage

Montage dans toutes les positions de la gaine d'air de retour, généralement près du compartiment de la soufflante de l'appareil de chauffage. L'armoire est suffisamment robuste pour soutenir le poids d'un appareil de chauffage résidentiel et d'un serpentin d'évaporation.

Homologations

Underwriters Laboratories, Inc. : Fichier E30954.

Accessoires

- Nécessaire de conversion 203365A pour la conversion du bloc d'alimentation de 120 V, 60 Hz à 240 V, 60 Hz ou 220/240 V, 50 Hz.

Pièces de rechange

Consultez la section Pièces de rechange/vue éclatée.

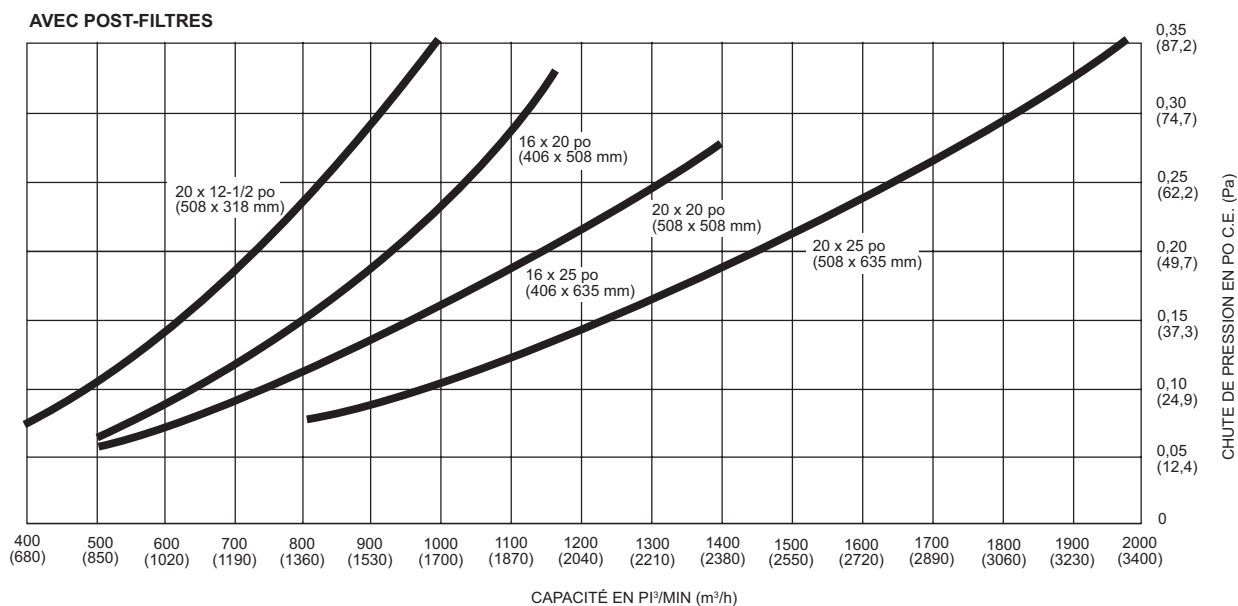
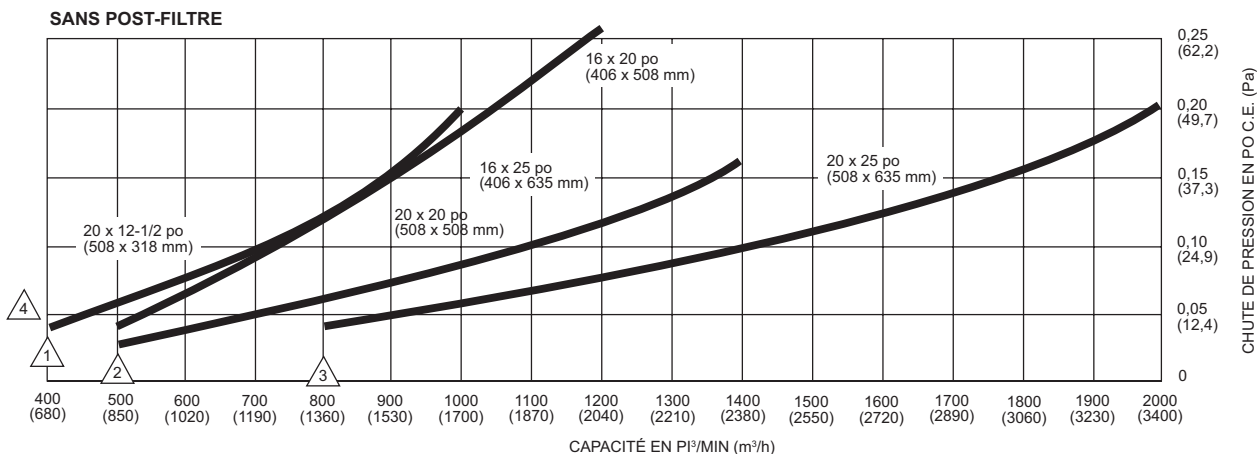
Table 6. Appel de courant

Taille		Nombre de cellules	Courant maximum (A)	
po	mm		120V	220/240V
16 x 25	406 x 635	2	0,4	0,2
20 x 25	508 x 635	2	0,4	0,2
16 x 20	406 x 508	2	0,4	0,2
20 x 20	508 x 508	2	0,4	0,2
20 x 12-1/2	508 x 318	1	0,4	0,2

Capacité et chute de pression

Chute de pression initiale : 0,15 po c.e. à 492 pi/min

EFFICACITÉ ET CHUTE DE PRESSION DE L'ÉPURATEUR D'AIR À DIVERS FLUX D'AIR.

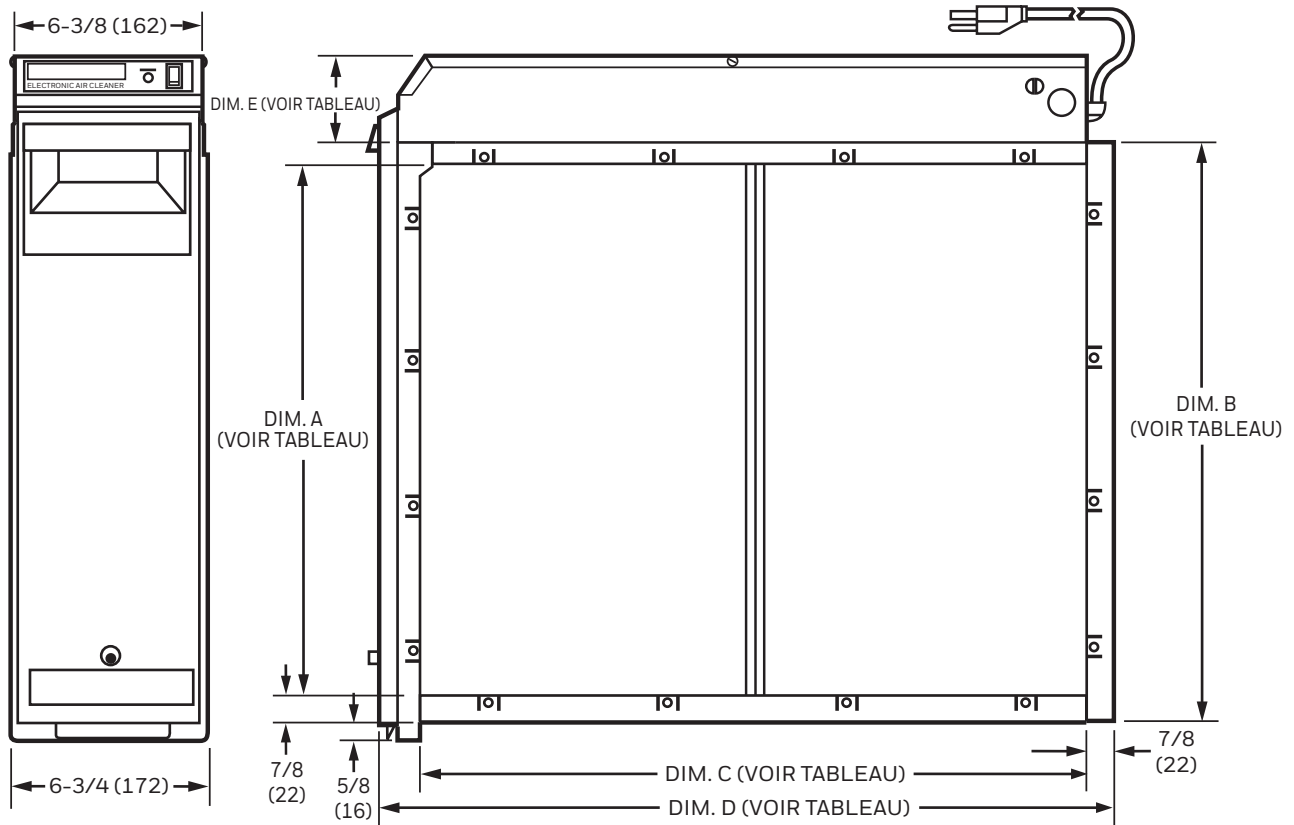


- △1 PI³/MINUTE MINIMUM RECOMMANDÉ POUR MODÈLE 20 x 12-1/2 po (508 x 318 mm).
- △2 PI³/MINUTE MINIMUM RECOMMANDÉ POUR MODÈLES 16 x 25 po (406 x 635 mm), 20 x 20 po (508 x 508 mm), 16 x 20 po (406 x 508 mm).

- △3 PI³/MINUTE MINIMUM RECOMMANDÉ POUR MODÈLE 20 x 25 po (508 x 635 mm).
- △4 SÉLECTIONNEZ LA TAILLE LA MIEUX ADAPTÉE AUX DIMENSIONS DE L'OUVERTURE D'AIR DE RETOUR DE LA CHAUDIÈRE/DU SYSTÈME DE TRAITEMENT DE L'AIR

MF13654

Dimensions



TAILLE F300		DIM. A		DIM. B		DIM. C		DIM. D		DIM. E	
PO	MM	PO	MM	PO	MM	PO	MM	PO	MM	PO	MM
16 X 25	406 X 635	14-7/16	367	16-3/16	411	23-1/4	591	25-1/2	648	2-3/4	70
16 X 20	406 X 508	14-7/16	367	16-3/16	411	18-1/4	457	20-1/2	521	2-3/4	70
20 X 25	508 X 635	18-7/16	468	20-3/16	513	23-1/4	591	25-1/2	648	2-3/4	70
20 X 20	508 X 508	18-7/16	468	20-3/16	513	18-1/4	457	20-1/2	521	2-3/4	70
20 X 12-1/2	508 X 318	18-7/16	468	20-3/16	513	10-7/8	276	13-1/8	333	3-5/8	92

MF2872C

Poids

Article	Poids									
	16 x 20 po (406 x 508 mm)		16 x 25 po (406 x 635 mm)		20 x 12-1/2 po (508 x 318 mm)		20x 20 po (508x 508 mm)		20 x 25 po (508 x 635 mm)	
	lb	kg	lb	kg	lb	kg	lb	kg	lb	kg
Cellule électronique (chaque)	5	2,25	6	2,7	7-1/2	3,4	6-3/16	2,8	7-1/2	3,4
Poids d'expédition	30	13,6	33	15,0	25	11,3	33	15,0	38	17,2
Poids installé (cellules incluses)	26	11,6	28	12,7	21	9,5	29	13,2	33	15,0

Entretien

Avant de nettoyer le purificateur d'air électronique, vous devez couper son alimentation électrique.

MISE EN GARDE

Bords coupants

Peut causer des blessures.

Manipulez les cellules avec précaution ou portez des gants de protection pour éviter les coupures dues aux bords métalliques coupants.

Nettoyage des cellules et des préfiltres

Pour assurer une performance optimale de l'épurateur d'air, nettoyez régulièrement les cellules et les préfiltres et remplacez régulièrement les post-filtres, deux fois par an en usage normal ou plus fréquemment en usage intense. La fréquence de lavage varie selon le nombre de membres de la famille, la présence d'animaux domestiques, les activités (cuisine ou menuiserie, ...) et la fumée de tabac. Utilisez le calendrier de rappel d'entretien à la fin de ce document pour établir et maintenir un programme de nettoyage régulier. Conservez le calendrier de rappel d'entretien dans un emplacement pratique.

REMARQUE : Pour que le système de chauffage ou de climatisation puisse fonctionner normalement lors du lavage des cellules, il suffit d'éteindre l'interrupteur de l'épurateur d'air.

Nettoyage du préfiltre

1. La façon la plus simple et rapide de nettoyer vos préfiltres consiste à utiliser la brosse de votre aspirateur pour aspirer la peluche sur le côté sale du préfiltre. La saleté grasse peut nécessiter le trempage du préfiltre dans une baignoire ou un rinçage à l'aide d'un tuyau d'arrosage. Ne lavez pas le préfiltre dans le lave-vaisselle ou dans une station de lavage automobile.
2. Le préfiltre doit être nettoyé tous les six mois ou plus fréquemment lors d'un usage intense. Cela permet d'éviter l'engorgement du préfiltre avec de la peluche, pouvant augmenter le régime de fonctionnement du système.

Nettoyage des cellules

- Pour le nettoyage rapide des cellules, il suffit d'essuyer les fils de l'ionisateur à l'aide d'un chiffon humide. Ceci permet d'accroître l'efficacité de l'épurateur d'air entre les cycles de nettoyage complets. Ce nettoyage rapide peut être effectué lors de chaque nettoyage des préfiltres.
- Un nettoyage complet des cellules rétablira l'efficacité optimale de l'épurateur d'air. Un moyen facile de laver les cellules consiste à les tremper dans un bain d'eau chaude et savonneuse. Faites tremper les cellules jusqu'à ce que l'eau ait refroidi, agitez puis rincez. Pour obtenir des informations détaillées, reportez-vous aux instructions ci-dessous relatives au nettoyage dans un récipient, lave-vaisselle automatique ou lavage des cellules dans une station de lavage automobile.
- Vous pouvez remettre le nettoyage complet des cellules au jour de l'entretien annuel car l'efficacité de l'épurateur d'air demeure élevée, même s'il est chargé de saleté. Un nettoyage rapide peut être effectué plus souvent. Pour atteindre l'efficacité optimale ou en cas d'utilisation intensive, lavez plus souvent les cellules.
- Resideo recommande d'utiliser un détergent pour lave-vaisselle automatique pour protéger l'aluminium des cellules. Il est déconseillé d'utiliser des nettoyants universels ou des nettoyants de serpentins car ils risquent de dégrader l'aluminium dans les cellules au cours du temps.

Remplacement du post-filtre

1. Le post-filtre est un filtre en option qui accroît l'efficacité de l'épurateur d'air. Ne lavez pas le post-filtre pour ne pas neutraliser la charge appliquée en usine.
2. Pour assurer des performances optimales, remplacez le post-filtre tous les six mois.

Lavage des cellules dans un récipient

MISE EN GARDE

Produits chimiques dangereux.

Peut causer des blessures.

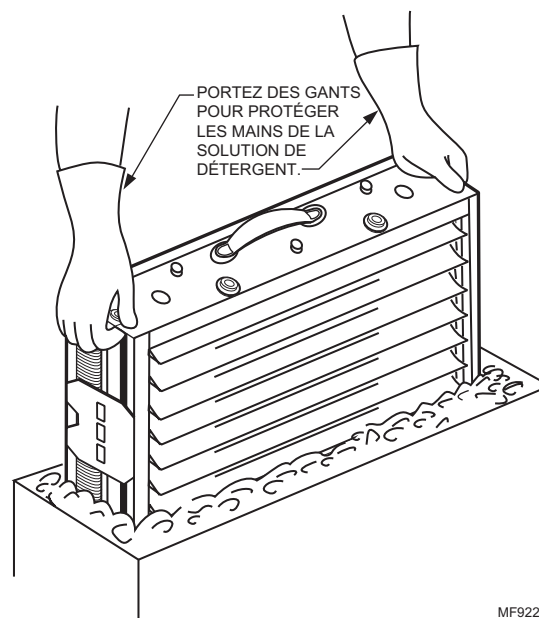
Évitez les éclaboussures de solution de détergent dans les yeux. Portez des gants en caoutchouc pour éviter le contact prolongé du détergent avec la peau. Gardez la solution de détergent hors de portée des enfants.

REMARQUE : Lavez toujours les cellules en premier, puis les préfiltres, pour empêcher la peluche lourde dans le préfiltre d'être piégée dans les cellules.

1. Utilisez un récipient assez grand, comme une cuve à lessive ou à déchets, pouvant recevoir une ou deux cellules.

REMARQUE : Les angles tranchants des cellules peuvent rayer la surface de la baignoire.

2. Dissolvez environ $\frac{3}{4}$ de tasse de détergent pour lave-vaisselle automatique par cellule dans suffisamment d'eau chaude pour couvrir les cellules. Si le détergent ne se dissout pas immédiatement, ou s'il forme de l'écume sur l'eau, essayez une autre marque ou utilisez de l'eau adoucie.



MF922A

3. Une fois le détergent complètement dissout, placez les cellules dans le récipient et laissez tremper pendant 15 à 20 minutes. Agitez plusieurs fois d'un mouvement de va-et-vient puis retirez.
4. Ensuite, lavez les préfiltres en procédant de la même manière. Videz et rincez le récipient de lavage.
5. Rincez les cellules et les préfiltres en pulvérisant vigoureusement de l'eau très chaude, rincez la cuve, puis remplissez-la d'eau chaude propre et laissez tremper pendant 5 à 15 minutes. Rincez jusqu'à ce que l'eau évacuée des cellules et des préfiltres ne soit plus glissante.
6. Trempez les cellules et les préfiltres dans de l'eau claire puis rincer pendant dix minutes.
7. Essayez les fils de l'ionisateur et de la plaque à contacts sur l'extrémité de la cellule à l'aide d'un petit chiffon humide en utilisant le pouce et l'index.

Lavage dans un lave-vaisselle automatique

REMARQUE : Placez les cellules de lavage dans un récipient avant de les laver dans un lave-vaisselle automatique.

MISE EN GARDE

Risque de brûlures.

Peut causer des blessures.

Laissez les cellules refroidir complètement dans le lave-vaisselle à la fin du cycle de nettoyage ou bien portez des gants de protection pour éviter les brûlures. L'eau chaude peut s'accumuler dans les tuyaux supportant les plaques du collecteur; inclinez les cellules pour évacuer les tuyaux.

- Consultez le manuel de l'opérateur du lave-vaisselle. Certains fabricants déconseillent le lavage des cellules électroniques dans le lave-vaisselle.
- Si le lave-vaisselle est muni de bras supérieur et inférieur, positionnez les cellules avec précaution de façon à permettre une bonne circulation de l'eau.
- Prenez des précautions pour éviter d'endommager les cellules lorsque vous les placez dans le lave-vaisselle. La garantie ne couvre pas les fils d'ionisateur brisés ni les plaques de collecteur tordues.
- Des cellules extrêmement salies, en particulier par le tabac ou la fumée de cuisine, risquent de décolorer les pièces en plastique et le revêtement de certains lave-vaisselles. Cette décoloration n'est pas nuisible. Pour minimiser ce phénomène, lavez les cellules plus fréquemment ou essayez une autre marque de détergent.
- Ne laissez pas le lave-vaisselle fonctionner dans le cycle de séchage. Les contaminants non éliminés durant le cycle de lavage seraient « cuits », réduisant l'efficacité de l'épurateur d'air.

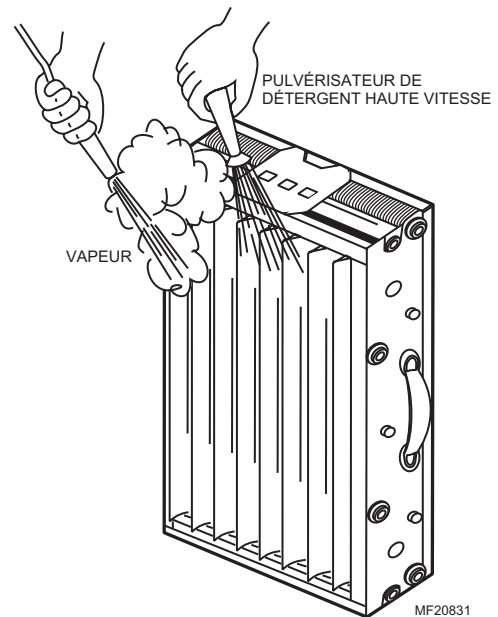
1. Placez les cellules dans le panier inférieur du lave-vaisselle, la flèche de flux d'air orientée vers le haut. Il peut être nécessaire de retirer le panier supérieur. Ne bloquez pas le flux d'eau vers le bras supérieur.

REMARQUE : Mettez de grands verres à eau entre les tiges du plateau inférieur et placez la ou les cellules dessus en veillant à ce que les tiges n'abîment pas les lames du collecteur en aluminium.

2. Avec du détergent pour lave-vaisselle normal, faites fonctionner le lave-vaisselle durant un cycle complet de lavage et de rinçage. N'utilisez pas le cycle de séchage. Pour éviter les brûlures, laissez les cellules refroidir complètement avant de les retirer ou portez des gants de protection lors du retrait des cellules. N'oubliez pas que de l'eau peut être présente dans les cellules. Inclinez les cellules pour les vider.
3. Essayez les fils de l'ionisateur et de la plaque à contacts sur l'extrémité de la cellule à l'aide d'un petit chiffon humide en utilisant le pouce et l'index.
4. Inspectez le lave-vaisselle. Relancez un cycle de lavage et/ou de rinçage à vide s'il reste des résidus ou de la saleté provenant des cellules. S'il y a beaucoup de résidus ou de saleté, lavez les cellules plus souvent ou essayez un détergent différent.

Lavage des cellules à la station de lavage automobile

Utilisez le pulvérisateur à main d'une station de lavage automobile automatique payant pour laver les cellules. Tenez la buse à au moins 60 cm (2 pi) de l'unité pour éviter les dégâts (tels que des fils d'ionisateur cassés ou des plaques de collecteur tordues) dus à l'eau sous haute pression. Suivez la même séquence de lavage et rinçage en suivant la méthode utilisée pour les voitures. Néanmoins, ne cirez pas les cellules. Veillez à bien rincer jusqu'à ce que l'eau qui sort des cellules ne soit plus glissante.



Réinstallation des cellules et des préfiltres

1. Inspectez les cellules pour déceler les fils d'ionisateur cassés ou les plaques de collecteur tordues. Réparez selon le besoin ou faites réviser auprès de la station de réparation des épurateurs d'air Resideo agréée.
2. Insérez les préfiltres dans les guides de préfiltres en amont.
3. Faites glisser les cellules de l'épurateur d'air de sorte que la flèche du flux d'air pointe en aval et que les poignées soient orientées vers l'extérieur.
4. Fermez bien la porte d'accès.
5. Attendez deux ou trois heures que les cellules sèchent et mettez l'épurateur d'air en marche. Si les cellules et les préfiltres sont mouillés, la lampe néon peut ne pas s'allumer et vous pourrez entendre des décharges disruptives.

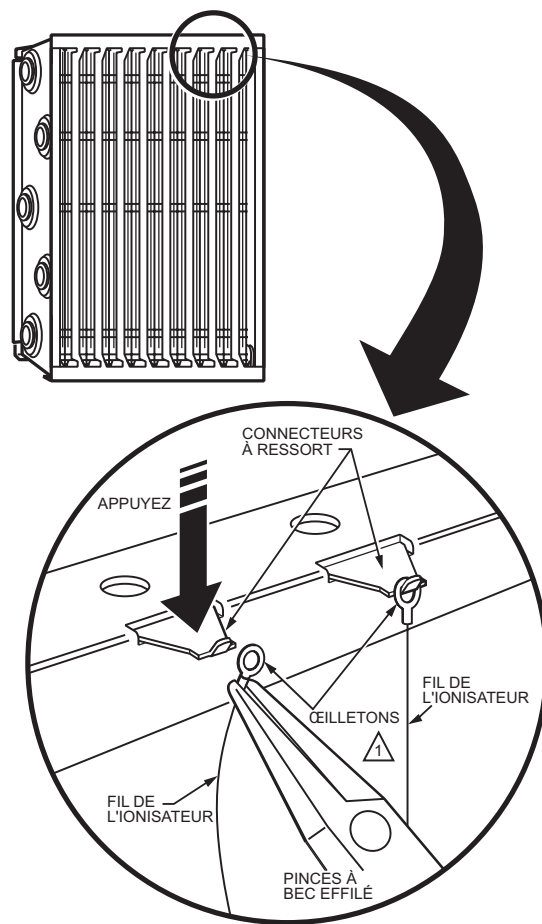
Remplacement des post-filtres à fibres

Pour optimiser l'efficacité de la filtration des post-filtres à fibres, remplacez-les tous les six mois. Des filtres de rechange sont disponibles dans la même taille et la même configuration que l'unité d'origine. Contactez votre distributeur Resideo local pour acheter des filtres de rechange. Installez les filtres de rechange exactement de la même manière que les filtres fournis avec l'équipement. Utilisez le calendrier de rappel d'entretien à la fin de ce document pour établir et maintenir un calendrier de remplacement régulier. Conservez le calendrier de rappel d'entretien dans un emplacement pratique.

Remplacement des fils de l'ionisateur

Les fils cassés ou tordus peuvent causer des courts-circuits à la masse, résultant souvent en une formation d'arc ou des étincelles. N'utilisez pas les cellules tant que les fils cassés n'ont pas été retirés. Les cellules peuvent être provisoirement utilisées avec un fil manquant, mais remplacez-le dès que possible.

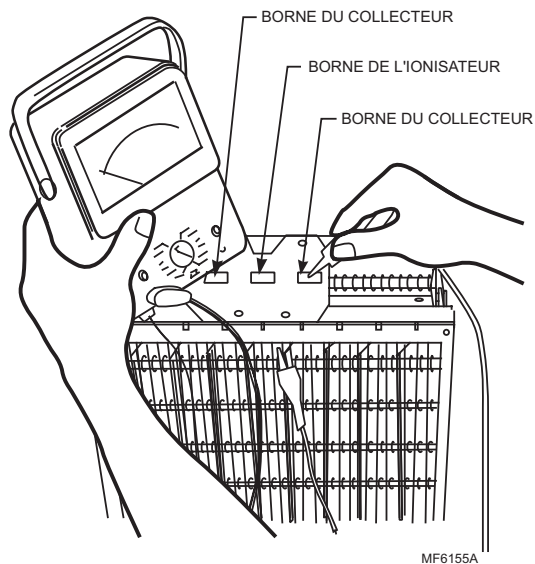
REPLACEMENT D'UN FIL DE L'IONISATEUR



1 DEUX CAILLETONS FIXENT L'IONISATEUR À LA CELLULE.
MF1540C

Les fils de rechange sont fournis coupés à la longueur appropriée avec des œillets à chaque extrémité pour une installation facile. Consultez la section Pièces et accessoires non illustrés. Pour installer :

1. Accrochez l'œillet à une extrémité du fil par-dessus le connecteur à ressort à une extrémité de la cellule. Veillez à ne pas endommager les connecteurs à ressort ou d'autres pièces des cellules.
2. Tenez l'œillet opposé avec une pince à bec effilé et étirez le fil sur la longueur de la cellule. Appuyez sur le connecteur à ressort opposé et accrochez l'œillet par-dessus.
3. Vérifiez qu'il n'y a pas de court-circuit sur la cellule en utilisant un ohmmètre; consultez la figure à droite. Vérifiez la résistance entre le cadre de la cellule et les contacts de l'ionisateur et du collecteur. Dans chaque cas, la résistance doit être infinie.



Modification pour réduire l'odeur d'ozone

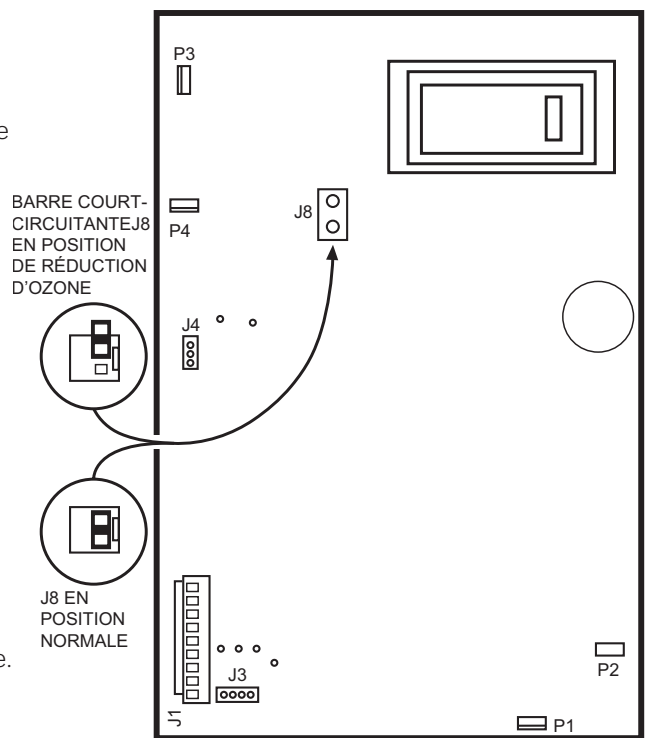
MISE EN GARDE

Risque de choc électrique.
Peut causer des blessures.
Débranchez toujours l'alimentation et ouvrez la porte d'accès avant d'ouvrir le couvercle du bloc d'alimentation.

En fonctionnement normal, l'épurateur d'air électronique génère une petite quantité d'ozone. Durant la première semaine ou les deux premières semaines de fonctionnement, la quantité d'ozone dégagée peut être supérieure en raison des bords coupants présents sur certaines pièces métalliques haute tension neuves. Une utilisation normale permet de rapidement émousser ces bords.

Si cela est souhaité, l'ozone généré par l'épurateur d'air peut être réduit de l'une des deux manières suivantes :

1. Installez un filtre à charbon actif en aval de l'épurateur d'air. Assurez-vous que les particules du filtre à air ne retombent pas sur l'épurateur d'air.
2. Déplacez la barre court-circuitante J8. Ceci permet de réduire la production d'ozone de 20-25 % et de réduire l'efficacité d'environ 7 à 10 % en fonction du flux d'air réel délivré par la soufflante de la chaudière.
 - a. Débranchez ou déconnectez le bloc d'alimentation de l'épurateur d'air.
 - b. Ouvrez la porte d'accès. Consultez la procédure et la figure page 13.
 - c. Retirez le couvercle du boîtier d'alimentation. Consultez la procédure et la figure page 13.
 - d. Déplacez la barre court-circuitante J8. Consultez la figure à droite.



Pièces de rechange

N°	Description	Ouverture d'air de retour nominale			
		16 x 20 po (406 x 508 mm)	16 x 25 po (406 x 635 mm)	20 x 20 po (508 x 508 mm)	20 x 25 po (508 x 635 mm)
1	Porte F300 inclut n° 2	32007528-003		32007528-003	
2	Bouton de test	137980A (1)			
3	Cellule électronique	FC37A1114 (2)	FC37A1130 (2)	FC37A1049 (2)	FC37A1064 (2)
4	Poignée de la cellule	137266 (2)	137266 (2)	137266 (2)	137266 (1)
5	Préfiltre (sans pinces à ressort)	209989 (2)	203371 (2)	203373 (2)	203372 (2)
6	Clavette de cellule	136518 (1)			
7	Boîtier d'alimentation F300 Série Two ^b . Inclut n° 8 à 20. 120 V, 60 Hz. Couvercle blanc.	PS1201B20 (1)	PS1201B25 (1)	PS1201B20 (1)	PS1201B25 (1)
	240V, 60 Hz ^c				
8	Interrupteur	203321 (1)			
10	Boîtier d'alimentation F300, Série Two ^b . 120V, 60 Hz	PS1201A00 (1)			
	240V, 60 Hz	N/D ^c			
11	Support et interrupteur de verrouillage	PS1201B20 (1)			
13	Plaque à bornes avant	203329B (1)	203329B (1)	N/D	203329B (1)
14	Plaque à bornes arrière	203329A (1)		203329A (1)	
17	Cordon d'alimentation secteur	PS1201B20 ou PS1201B25 (1)			
19	Néon	4074EYS (1)			
20	Commutateur de débit d'air, connexion à broche	4074ETH (1)			
	Commutateur de débit d'air, connexion à fiche	4074EZB (1)		4074EZB (1)	
21	Sac FC37A pour réparation des cellules. Contient : 2 attaches de connecteur, 1 plaque à bornes et instructions	4074EHG			
22	Post-filtre (en option)	50000293-001	50000293-002	50000293-003	50000293-004

^b B Série Two compatible avec W8600F.

^c Utilisez le nécessaire de conversion 203365A pour convertir le modèle 120 V, 60 Hz à 240 V, 60 Hz.

^d Remplacez le couvercle blanc par le couvercle noir en tant que variante. Utilisez le couvercle d'origine pour la correspondance des couleurs.

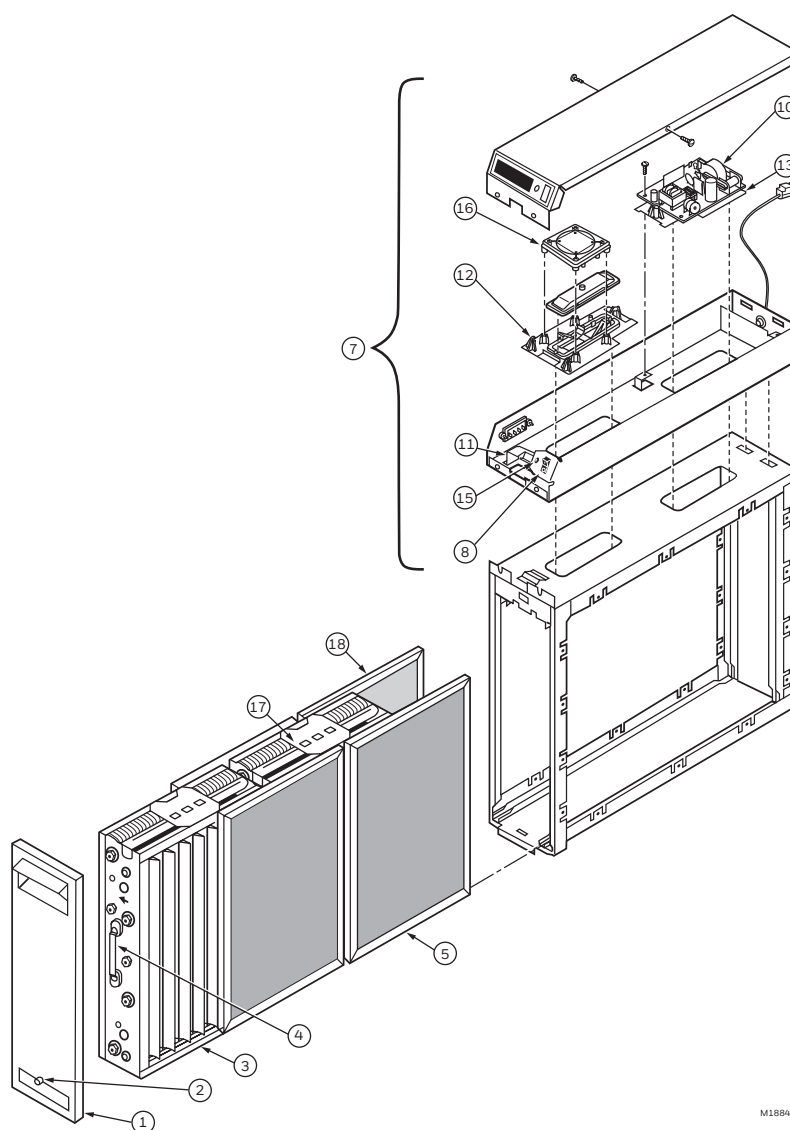
(#) = Quantité requise par unité.

N/D = Non disponible en tant qu'article de marchandise.

Pièces et accessoires non illustrés

Description	Ouverture d'air de retour nominale				
	16 x 20 po (406 x 508 mm)	16 x 25 po (406 x 635 mm)	20 x 12-1/2 po (508 x 318)	20 x 20 po (508 x 508 mm)	20 x 25 po (508 x 635 mm)
Nécessaire de joints d'armoire pour épurateur d'air	32002109-001 (obsolète; dans la mesure des stocks disponibles)				
Fils d'ionisateur (par multiples de 5)	136434BA	136434BA	136434AA	136434AA	136434AA
Nécessaire de conversion 240 V	203365A	203365A	N/A	203365A	203365A

N/A = Non disponible en tant qu'article de marchandise.



M18846G

GUIDE DE DÉPANNAGE DE L'ÉPURATEUR D'AIR ÉLECTRONIQUE

POUR COMMENCER



ASSUREZ-VOUS QUE LES CELLULES ÉLECTRONIQUES SONT PROPRES, SÈCHES ET CORRECTEMENT INSTALLÉES. ASSUREZ-VOUS QUE LES PRÉFILTRES MÉTALLIQUES SONT POSITIONNÉS SUR LE CÔTÉ OÙ L'AIR PÉNÈTRE DANS L'ÉPURATEUR D'AIR, ET QUE LES POST-FILTRES (LE CAS ÉCHÉANT) SONT POSITIONNÉS SUR LE CÔTÉ OÙ L'AIR SORT DE L'ÉPURATEUR.

POUR UTILISER CE TABLEAU :
 1. SUIVEZ LES ÉTAPES DANS L'ORDRE.
 2. DÈS QU'UN PROBLÈME EST RÉSOLU, RECOMMENCEZ AU DÉBUT.
 3. RÉPÉTEZ TOUTES LES ÉTAPES JUSQU'À CE QUE L'ÉPURATEUR FONCTIONNE CORRECTEMENT.
 REMARQUE: SI UN MONITEUR D'ÉPURATEUR D'AIR W8600F EST CONNECTÉ À L'ÉPURATEUR, DÉBRANCHEZ L'ÉPURATEUR DU MONITEUR W8600F AVANT DE COMMENCER CETTE PROCÉDURE. LE MONITEUR W8600F PEUT ÊTRE CONTRÔLÉ SÉPARÉMENT. CONSULTEZ LA FEUILLE D'INSTRUCTION W8600F.

METTEZ L'INTERRUPTEUR D'ALIMENTATION DE L'ÉPURATEUR D'AIR SUR MARCHÉ ET METTEZ LE VENTILATEUR DE CVCA EN MARCHÉ.

CONTRÔLEZ LE TÉMOIN DU SYSTÈME SUR L'ÉPURATEUR D'AIR.

ARRÊT

APPUYEZ SUR LE BOUTON DE TEST SUR LA PORTE DE L'ÉPURATEUR D'AIR. UN CLAQUEMENT DOIT SE FAIRE ENTENDRE.

OUI

REPLACEZ L'ENSEMBLE TÉMOIN/INTERRUPTEUR.

MARCHÉ

APPUYEZ SUR LE BOUTON DE TEST SUR LA PORTE DE L'ÉPURATEUR D'AIR. UN CLAQUEMENT DOIT SE FAIRE ENTENDRE.

NON

APPUYEZ SUR L'INTERRUPTEUR D'ALIMENTATION POUR ÉTEINDRE L'ÉPURATEUR D'AIR. RETIREZ LA PORTE ET VÉRIFIEZ QUE LES CONTACTS À L'INTÉRIEUR DU BOUTON DE TEST SONT EN BON ÉTAT.

NON

RÉPAREZ LES CONTACTS SUR LE BOUTON DE TEST.

OUI

L'ÉPURATEUR D'AIR FONCTIONNE CORRECTEMENT.

OUI

RETIREZ LES CELLULES (LAISSEZ LES PRÉFILTRES EN PLACE). FERMEZ LA PORTE D'ACCÈS ET ALLUMEZ L'ÉPURATEUR D'AIR.

INSPECTEZ LES CELLULES POUR
 — DÉTECTER LA PRÉSENCE DE PLAQUES DE COLLECTEUR TORDUES
 — DE FILS D'IONISATEUR CASSÉS
 — D'ACCUMULATION DE SALETÉ SUR LES ISOLATEURS
 — DE CONTACTS ENDOMMAGÉS SUR LE BORNIER À L'EXTRÉMITÉ DE LA CELLULE

MARCHÉ

CONTRÔLEZ LE TÉMOIN DU SYSTÈME SUR L'ÉPURATEUR D'AIR.

ARRÊT

AVERTISSEMENT
 CETTE ÉTAPE EXPOSE À UNE HAUTE TENSION DANGEREUSE. SEUL UN TECHNICIEN D'ENTRETIEN QUALIFIÉ EST HABILITÉ À ENTREPRENDRE CETTE ÉTAPE.
 VÉRIFIEZ QUE LA TENSION D'ENTRÉE EST CORRECTE ENTRE LES BORNES P1 ET P2 DU TABLEAU D'ALIMENTATION.

NON

RÉPAREZ LES CÂBLES.

OUI

REPLACEZ OU RÉPAREZ LES CELLULES.

NON

AVEC UN OHMMÈTRE, VÉRIFIEZ L'ABSENCE DE COURTS-CIRCUITS ENTRE :
 — CADRE DES CELLULES ET FILS DE L'IONISATEUR
 — CADRE DES CELLULES ET LAMES DU COLLECTEUR

OUI

REPLACEZ LE BLOC D'ALIMENTATION DE L'ÉPURATEUR D'AIR.

COURT-CIRCUIT DÉTECTÉ

REPLACEZ LES CELLULES

PAS DE COURT-CIRCUIT

CELLULES EN BON ÉTAT. REPLACEZ LE BLOC D'ALIMENTATION DE L'ÉPURATEUR D'AIR.

CET ÉPURATEUR D'AIR PRODUIT DES TRACES D'OZONE EN TANT QUE PRODUIT RÉSULTANT DU FONCTIONNEMENT NORMAL, QUI SONT SITUÉES BIEN EN DEÇÀ DU SEUIL PRESCRIT PAR LA FDA AMÉRICAINE. VEUILLEZ CONSULTER LE MANUEL DU PROPRIÉTAIRE POUR PLUS D'INFORMATIONS. POUR OBTENIR UN MANUEL DE RECHANGE, APPELEZ LE 1-800-468-1502 OU VISITEZ honeywellhome.com

AVERTISSEMENT
 UNE CONVERSION INCORRECTE À UN ÉPURATEUR D'AIR À FIBRES PEUT CAUSER DES RISQUES D'INCENDIE. LORS DE LA CONVERSION D'UN ÉPURATEUR D'AIR ÉLECTRONIQUE À UN ÉPURATEUR D'AIR À FIBRES, LE BLOC D'ALIMENTATION DOIT ÊTRE RETIRÉ OU DÉSACTIVÉ DE FAÇON PERMANENTE.

MF13656B

ANNEXES

Rappel de lavage de l'épurateur d'air électronique et calendrier de remplacement des post-filtres

Resideo recommande de laver l'épurateur d'air électronique et de remplacer le post-filtre au moins une fois par an à partir de la date d'installation. Utilisez le tableau ci-dessous pour faire le suivi de l'entretien de l'épurateur d'air électronique.

Date d'installation :			
Date	Lavage de l'épurateur d'air	Remplacement des post-filtres	Initiales
	<input type="checkbox"/>	<input type="checkbox"/>	
	<input type="checkbox"/>	<input type="checkbox"/>	
	<input type="checkbox"/>	<input type="checkbox"/>	
	<input type="checkbox"/>	<input type="checkbox"/>	
	<input type="checkbox"/>	<input type="checkbox"/>	
	<input type="checkbox"/>	<input type="checkbox"/>	
	<input type="checkbox"/>	<input type="checkbox"/>	
	<input type="checkbox"/>	<input type="checkbox"/>	
	<input type="checkbox"/>	<input type="checkbox"/>	
	<input type="checkbox"/>	<input type="checkbox"/>	
	<input type="checkbox"/>	<input type="checkbox"/>	
	<input type="checkbox"/>	<input type="checkbox"/>	



Resideo Technologies, Inc.
1985 Douglas Drive North, Golden Valley, MN 55422
1-800-468-1502

www.resideo.com

68-0240EFS-01 M.S. 04-20 | Imprimé aux États-Unis

© 2020 Resideo Technologies, Inc. All rights reserved.

The Honeywell Home trademark is used under license from Honeywell International, Inc.

This product is manufactured by Resideo Technologies, Inc. and its affiliates.

Tous droits réservés. La marque de commerce Honeywell Home est utilisée avec l'autorisation d'Honeywell International, Inc.

Ce produit est fabriqué par Resideo Technologies, Inc. et ses sociétés affiliées.

Todos los derechos reservados. La marca comercial Honeywell Home se utiliza bajo licencia de Honeywell International, Inc.

Este producto es fabricado por Resideo Technologies, Inc. y sus afiliados.

Honeywell Home

Limpiador de aire electrónico F300



GUÍA DE INSTALACIÓN PROFESIONAL.

COMENZAR

MONTAJE

CABLEADO

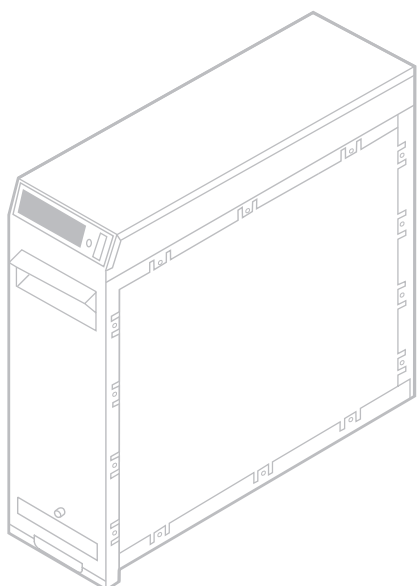
DATOS DE
ESPECIFICACIÓN

FUNCIONAMIENTO
Y MANTENIMIENTO

APÉNDICES



ELEMENTOS QUE SE INCLUYEN EN ESTA CAJA



F300A1620
F300A1625
F300A2012
F300A2020
F300A2025
F300B2012
F300E1001
F300E1019
F300E1027
F300E1035

Herramientas necesarias para instalar el limpiador

de aire electrónico

- ▶ Destornillador estándar
- ▶ Destornillador Phillips
- ▶ Cortador de metal
- ▶ Taladro
- ▶ Sellador de conductos
- ▶ Alicates de presión

Filtros posteriores de repuesto

Tamaño del filtro (in)	Número de pieza
12,5 x 20	50000293-004
16 x 25	50000293-002
16 x 20	50000293-001
20 x 25	50000293-004
20 x 20	50000293-003

Limpiador de aire electrónico F300

Cómo funciona	2	Servicio	18
Consideraciones de aplicación.....	3	Limpieza de celdas y filtros anteriores	18
Modelos	3	Limpieza del filtro anterior	18
Aire acondicionado	3	Limpieza de las celdas	19
Humificadores.....	3	Reemplazo del filtro posterior	19
Entrada de aire exterior	4	Lavado de celdas en un contenedor.....	19
Luces ultravioletas.....	4	Lavado en lavavajillas automático.....	20
Conductos	5	Lavado de celdas en el lavadero de vehículos....	21
Transiciones	5	Reinstalación de celdas y filtros anteriores	21
Paletas giratorias.....	5	Reemplazo de filtros posteriores	21
Piezas de inflexión	5	Reemplazo de los cables del ionizador	21
Requisitos importantes de instalación ...	6	Modificación para reducir el olor a ozono.....	22
Seguridad personal	6	Piezas de repuesto.....	23
Antes del montaje.....	6	Piezas y accesorios que no figuran en las	
En caso de reemplazo de un limpiador de aire		imágenes	24
viejo.....	6	Recordatorio para lavar el limpiador de aire	
Elegir una posición de montaje.....	6	electrónico y programa para reemplazar el filtro	
Montaje del limpiador de aire electrónico		posterior	26
F300.....	9		
Revisión	13		
Mantenimiento	14		
Especificaciones.....	14		
Eficiencia fraccional.....	14		
Rango de temperatura.....	15		
Clasificaciones eléctricas.....	15		
Montaje.....	15		
Aprobaciones.....	15		
Accesorios	15		
Piezas de repuesto.....	15		
Capacidad y caída de presión	16		
Dimensiones	17		
Peso	18		



¿NECESITA AYUDA? Para obtener asistencia con este producto, visite honeywellhome.com o llame a la línea gratuita de Atención al Cliente de Resideo al 1-800-468-1502.

Lea y conserve estas instrucciones.

® Marca comercial registrada en los EE. UU. Patentes en trámite. Copyright © 2019 Resideo Technologies, Inc. Todos los derechos reservados.

Qué esperar del limpiador de aire electrónico Resideo

¡Felicitaciones por elegir el limpiador de aire electrónico Resideo para el sistema de confort de su hogar! El limpiador de aire electrónico F300 captura y elimina una gran cantidad de partículas que se encuentran en el aire haciéndolas circular a través de las celdas electrónicas de alta eficiencia. El limpiador de aire electrónico se monta fácilmente en cualquier posición dentro del conducto de aire de retorno de cualquier caldera de aire caliente forzado a gas, aceite y electricidad, y hacia el compresor que puede enfriar hasta 5 toneladas.

Al momento de instalar este producto, tenga en cuenta lo siguiente:

1. Lea atentamente estas instrucciones. Si no sigue estas instrucciones podría dañar el producto o provocar una situación peligrosa.
2. Controle las clasificaciones que figuran en las instrucciones y en el producto para asegurarse de que este sea apto para la aplicación.
3. El instalador debe ser un profesional de servicio técnico calificado y con experiencia.
4. Una vez finalizada la instalación, asegúrese de que el producto funcione como se indica en estas instrucciones.

Cómo funciona

El filtro anterior captura partículas grandes (pelusa, cabello). A medida que el aire sucio pasa a través del intenso campo eléctrico de alto voltaje que rodea los cables del ionizador, todas las partículas reciben una carga eléctrica.

Luego, el aire se mueve a través de la parte del colector de la celda donde se cargan las placas paralelas alternativas de manera positiva y negativa, y crea un campo electrostático uniforme. Las partículas cargadas son atraídas por las placas que tienen una carga eléctrica opuesta y se acumulan allí.

Únicamente modelos F300E: Luego, el aire circula a través de los filtros posteriores, lo que elimina las partículas adicionales del flujo de aire. El aire que sale del limpiador de aire tiene menos partículas. Cada vez que el aire circula a través del limpiador de aire electrónico, se eliminan más partículas..

Consideraciones de aplicación

El limpiador de aire electrónico Resideo F300 está diseñado para funcionar con calderas de aire caliente forzado a gas, aceite y electricidad, y con refrigeración por compresor. También se puede usar con bombas de calor si el filtro se cambia regularmente para evitar una caída de presión excesiva. El limpiador de aire electrónico F300 no se recomienda para aplicaciones donde la caída de presión puede ser crítica.

Modelos

F300E: Incluye el gabinete, la puerta de acceso, la fuente de alimentación de estado sólido, dos celdas electrónicas, dos filtros anteriores de malla metálica y dos filtros posteriores.

F300A, B: Incluye el gabinete, la puerta de acceso, la fuente de alimentación de estado sólido, dos celdas electrónicas y dos filtros anteriores de malla metálica.



Aire acondicionado

Monte el limpiador de aire electrónico en posición ascendente de la bobina del evaporador en un sistema de refrigeración. El filtro ayudará a mantener limpia la bobina y reducirá la frecuencia de mantenimiento.

Humificadores

Se puede montar un humidificador evaporativo en posición ascendente desde el limpiador de aire. Se debe montar un humidificador de atomización en posición descendente desde el limpiador de aire, a pesar de que las sales de agua dura se introducirán en el espacio habitable y se depositarán como polvo. Si se debe montar un humidificador de atomización en posición ascendente desde el limpiador de aire:

1. Móntelo lo más lejos posible en posición ascendente desde el limpiador de aire.
2. Instale un filtro de caldera desechable estándar entre el humidificador y el limpiador de aire para capturar las gotas de agua y las sales de agua dura.
3. Lave con frecuencia el limpiador de aire para evitar la acumulación de sal de agua dura.

NOTA: El volumen de agua que se descarga de un humidificador de atomización puede sobrecargar el limpiador de aire y provocar que las sales de agua dura se depositen como polvo en el espacio habitable.

Entrada de aire exterior

La temperatura del aire de retorno debe ser de al menos 40 °F (4° C). Las temperaturas más bajas pueden causar fallas en el cable del ionizador. Si se utiliza aire exterior, caliéntelo en posición ascendente desde el limpiador de aire:

- Asegurarse de que la entrada exterior esté lo suficientemente hacia arriba del limpiador de aire para que el retorno y el aire exterior se mezclen completamente. El aire estratificado puede descargar una corriente de aire muy frío en una sección del limpiador de aire.
- Agregar deflectores en posición ascendente desde el limpiador de aire para forzar una mezcla de aire completa.
- Instalar un ventilador de recuperación de energía o ventilador de recuperación de calor Resideo que transfiere hasta el 80 por ciento del calor del aire de escape al aire exterior que ingresa. Esto mantiene el aire que ingresa por encima de 40 °F (4 °C) y reduce el consumo de energía.
- Instalar un precalentador si se utilizan grandes cantidades de aire exterior. El precalentador, que podría ser un calentador de banda eléctrica o una serpentina de agua caliente, debe controlarse mediante un termostato. Las serpentinas de agua caliente o vapor se deben proteger mediante un control de congelación.

Luces ultravioletas

Las luces ultravioletas germicidas pueden causar el deterioro de los filtros posteriores. La luz ultravioleta se debe ubicar fuera de la línea de visión o a un mínimo de 3 pies del filtro. De lo contrario, es posible que sea necesario reemplazar el filtro con mayor frecuencia.

Conductos

El limpiador de aire electrónico se adapta a todos los sistemas de calefacción y refrigeración de aire forzado, nuevos o existentes, que se utilicen en aplicaciones residenciales. Es posible que se requieran transiciones o paletas giratorias en algunas aplicaciones para que el funcionamiento del limpiador de aire sea efectivo.

Transiciones

Para una limpieza del aire más eficiente, distribuya el flujo de aire de manera uniforme a través de la parte frontal del limpiador de aire. Si el conducto tiene un tamaño diferente al del gabinete del limpiador de aire electrónico, se requieren transiciones graduales. Siga estas pautas durante la fabricación:

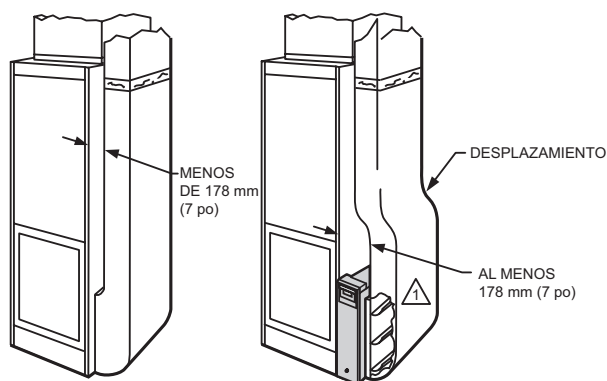
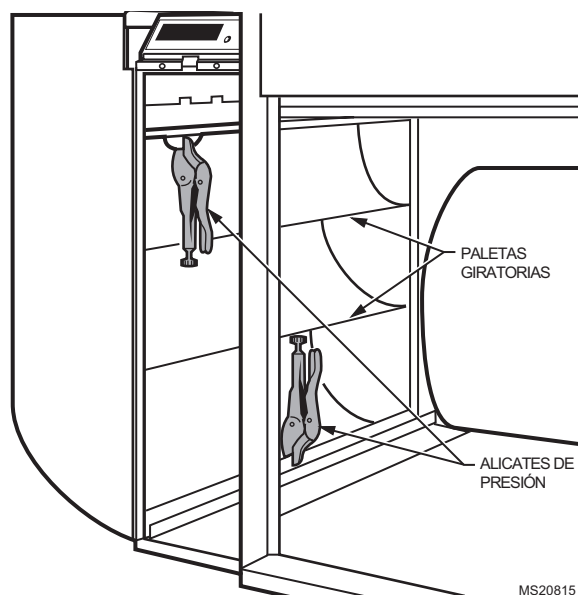
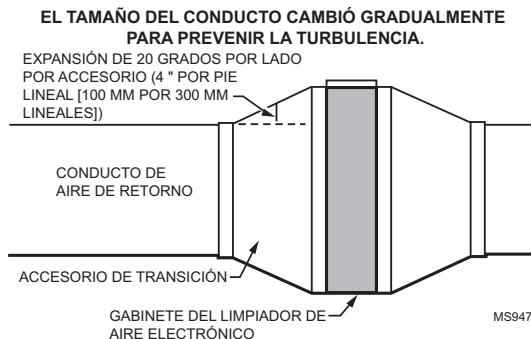
- Use transiciones graduales para reducir la turbulencia del aire y aumentar la eficiencia.
- No use más de 20 grados (aproximadamente 4 pulgadas por pie lineal [100 mm por 300 mm lineales]) de expansión en cada lado de un accesorio de transición.

Paletas giratorias

Si el limpiador de aire electrónico se instala junto a un codo o accesorio angular, agregue paletas giratorias dentro del ángulo para distribuir el flujo de aire de manera más uniforme a través de la parte frontal de la celda.

Piezas de inflexión

Si la conexión del conducto a la caldera en una instalación lateral deja un espacio menor que 7 " (178 mm) para montar el gabinete del limpiador de aire electrónico, coloque una pieza de inflexión en el codo.



⚠ LAS PALETAS GIRATORIAS REQUERIDAS AYUDAN A DISTRIBUIR EL FLUJO DE AIRE DE MANERA UNIFORME.

Requisitos importantes de instalación

El incumplimiento de estos requisitos generará la anulación de la garantía, la instalación inadecuada y llamadas de servicio.

Seguridad personal

- Utilice gafas de seguridad cuando instale la unidad.
- No corte ninguna línea eléctrica ni de aire acondicionado.
- Cumpla con los estándares de seguridad profesionales y con todos los códigos locales para consideraciones de plomería, eléctricas y mecánicas.
- Este aparato no se destina para utilizarse por personas (incluyendo niños) cuyas discapacidades físicas, sensoriales o mentales sean diferentes o estén reducidas, o carezcan de experiencia o conocimiento, a menos que dichas personas reciban una supervisión o capacitación para el funcionamiento del aparato por una persona responsable de su seguridad. Los niños deben supervisarse para asegurar que ellos no empleen los aparatos como juguete. Si el cordón de alimentación está dañado, este debe sustituirse por el fabricante, por su agente de servicio autorizado o por personal calificado con el fin de evitar un peligro.

Antes del montaje

- Observe la figura en la portada y las listas en la portada interior, y asegúrese de tener todos los componentes para el limpiador de aire electrónico Resideo y las herramientas para instalarlo.
- Asegúrese de que la dirección del flujo de aire a través del limpiador de aire electrónico Resideo coincida con las flechas de la celda electrónica. Las flechas deben apuntar en dirección del flujo de aire.
- Elija una ubicación donde pueda acceder fácilmente para verificar y limpiar las celdas. Deje un espacio de al menos 13 " (330 mm) delante de la puerta de acceso para retirar el filtro anterior de malla metálica, el filtro posterior y la celda electrónica. Deje suficiente espacio por encima de la fuente de alimentación para que pueda realizar tareas de mantenimiento sin quitar las tuberías, los conductos u otros componentes del sistema de calefacción.
- Instale el filtro de aire electrónico donde la temperatura no supere los rangos que se indican en la sección Especificaciones.
- No lo monte en el conducto de suministro de aire.

NOTA: Por lo general, la mejor ubicación es en el conducto de aire de retorno al lado del compartimento del soplador, de modo que el limpiador de aire electrónico puede ayudar a mantener limpios el motor del soplador y las bobinas del evaporador.

En caso de reemplazo de un limpiador de aire viejo

Si el limpiador de aire electrónico Resideo no tiene el mismo tamaño ni forma que el limpiador de aire existente, antes de realizar una instalación de readaptación, es posible que deba agregar transiciones de conducto para garantizar un flujo de aire uniforme. Para lograr un rendimiento óptimo del sistema, limpie las celdas cada seis a doce meses (antes de la temporada de calefacción y antes de la temporada de refrigeración). Adapte el cronograma según sus necesidades, pero limpie las celdas al menos una vez al año.

NOTA: Antes de realizar cualquier actividad de limpieza o mantenimiento, el producto debe desconectarse de la electricidad.

Elegir una posición de montaje

El limpiador de aire electrónico se monta en cualquier posición dentro del conducto de aire de retorno, generalmente al lado del compartimento del soplador de la caldera, pero la flecha del cartucho debe apuntar en la misma dirección que el flujo de aire. Consulte las figuras de 1 a 8 para determinar la ubicación adecuada del limpiador de aire electrónico para una amplia variedad de instalaciones de calderas.

NOTA: El gabinete del limpiador de aire electrónico es lo suficientemente resistente como para soportar sin problemas el peso de la caldera y la bobina del evaporador.

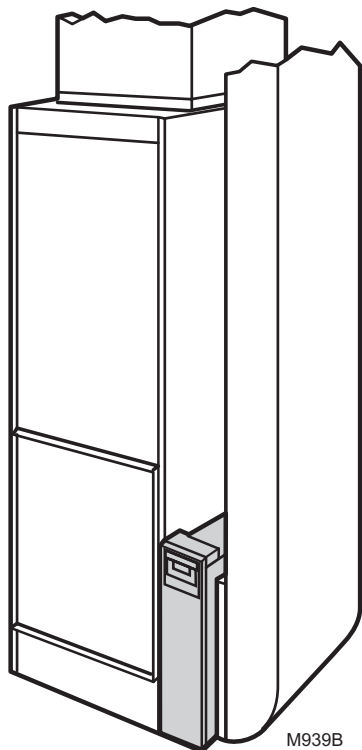


Fig. 1. Caldera de flujo ascendente con instalación lateral. El filtro de aire electrónico está montado en posición vertical donde el retorno ingresa a la entrada lateral de la caldera.

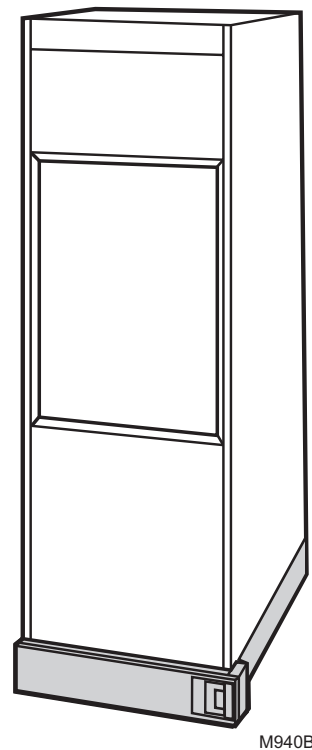


Fig. 2. Caldera de flujo ascendente con instalación debajo de la caldera. El limpiador de aire electrónico se monta en posición horizontal donde el retorno ingresa desde abajo.

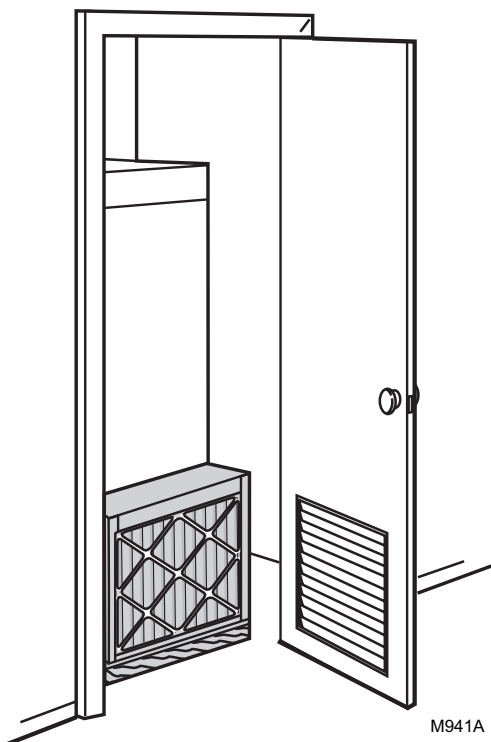


Fig. 3. Caldera de flujo ascendente con instalación dentro de un armario. El limpiador de aire electrónico está montado en posición vertical en la caldera entre la caldera y la abertura del aire de retorno con rejilla en la puerta del armario.

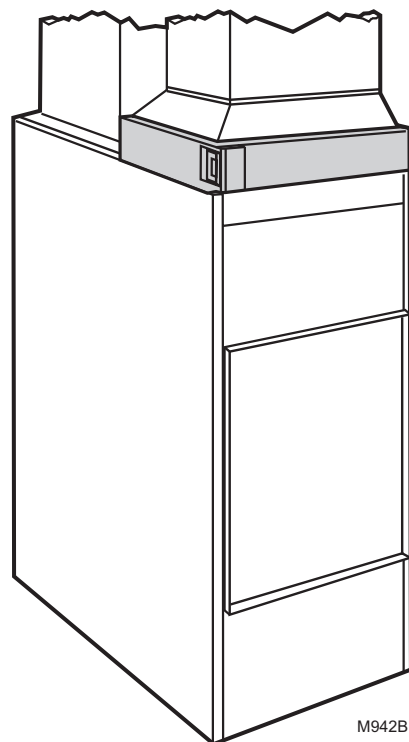


Fig. 4. Caldera de flujo descendente con limpiador de aire electrónico montado en posición horizontal en la cámara de retorno justo por encima de la caldera y la cámara de calefacción opuesta.

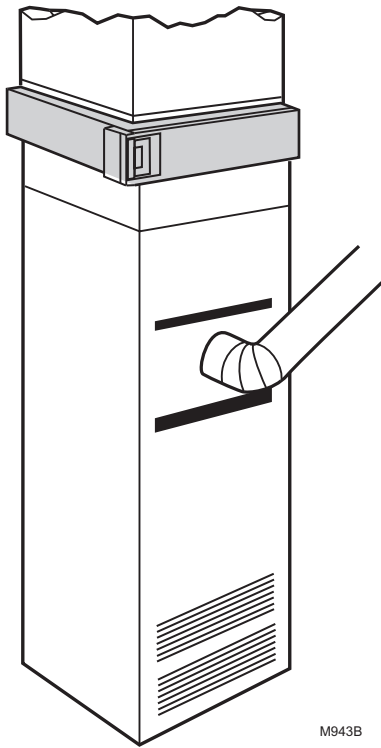


Fig. 5. Caldera de contraflujo con limpiador de aire electrónico montado en posición horizontal en la cámara o conducto de retorno justo por encima de la caldera.

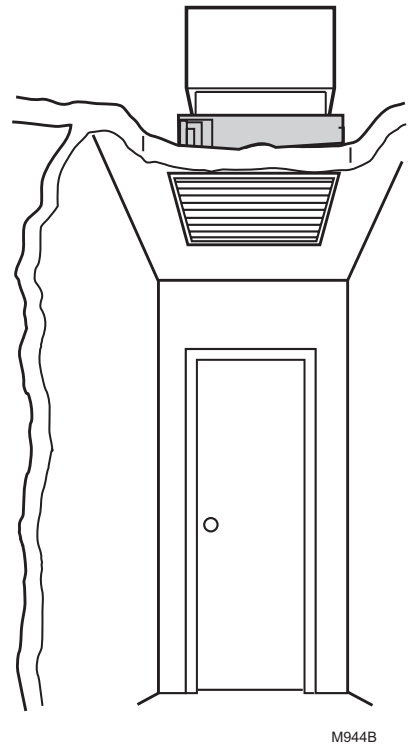


Fig. 6. Instalación del ventilador central con limpiador de aire electrónico montado en posición horizontal en el conducto de retorno central.

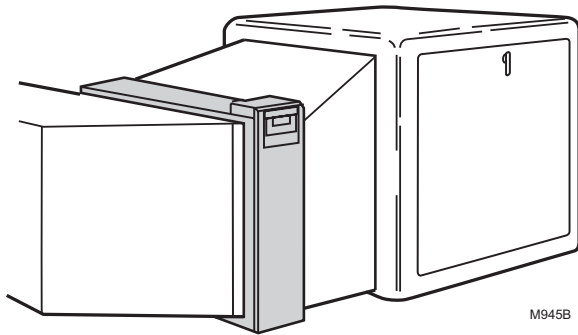


Fig. 7. Caldera horizontal con filtro de aire electrónico montado en posición vertical en el conducto de retorno cerca de la caldera.

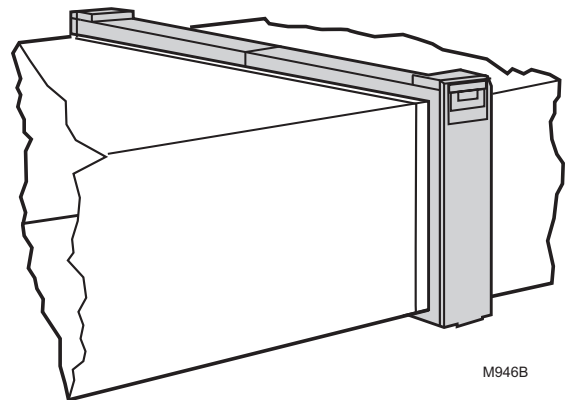


Fig. 8. Dos o más limpiadores de aire electrónicos que se utilizan en un sistema de alta capacidad.

Montaje del limpiador de aire electrónico F300

El siguiente procedimiento describe una instalación lateral típica en una caldera de flujo ascendente existente (Fig. 1). Los procedimientos alternativos se indican según corresponda. Para completar la instalación, es posible que se deban realizar cambios en los procedimientos de instalación.

PASO UNO: Sacar el limpiador de aire electrónico del envase

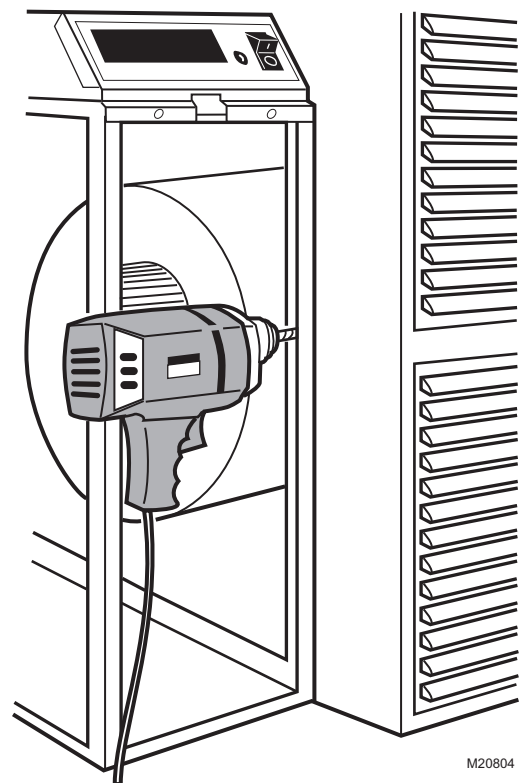
- Verifique que todos los componentes estén incluidos. El limpiador de aire electrónico se envía ensamblado. La unidad consta de un gabinete de acero galvanizado, fuente de alimentación con interruptor de encendido y apagado y luz de neón, dos celdas electrónicas, dos filtros anteriores de malla metálica, dos filtros posteriores (en modelos seleccionados), puerta de acceso e información sobre el producto.

PASO DOS: Limpiar el compartimento del soplador

- Quite y deseche el filtro de la caldera existente.
- Limpie minuciosamente el compartimento del soplador.
- Si es posible, aspire los conductos para eliminar el polvo acumulado de una casa donde vive hace mucho tiempo o la suciedad de una obra de una casa nueva. El limpiador de aire electrónico no puede eliminar el polvo acumulado en el compartimento del soplador y los conductos de distribución.
- Inspeccione los bordes de las aspas del ventilador de la caldera para detectar acumulación de suciedad y limpie según sea necesario. El ventilador no funcionará a los pies cúbicos por minuto nominales si las aspas están sucias.

PASO TRES: Fijar el gabinete a la caldera

- Quite y ponga a un lado la puerta de acceso, las celdas electrónicas, los filtros anteriores de malla metálica y los filtros posteriores.
- Alinee el gabinete con la abertura del aire de retorno.
- Realice una abertura en la caldera para que coincida con la abertura del gabinete.
- Instale una transición cuando las aberturas de la caldera y del limpiador de aire sean de diferentes tamaños. Consulte la sección Transiciones en la página 5.
- Coloque bloques debajo del gabinete para que la unidad quede firmemente apoyada y nivelada. El pie de montaje de 5/8 " (16 mm) en la placa de la bisagra del gabinete brinda el espacio mínimo necesario para la bisagra de la puerta de acceso.
- Fije firmemente el gabinete a la caldera. La unidad se puede conectar de manera directa, como se muestra, o se puede colocar primero un adaptador en la abertura de la caldera. Perfore los orificios y fíjelos con tornillos de chapa o remaches, o use juntas deslizantes.



PASO CUATRO: Instalar las paletas giratorias

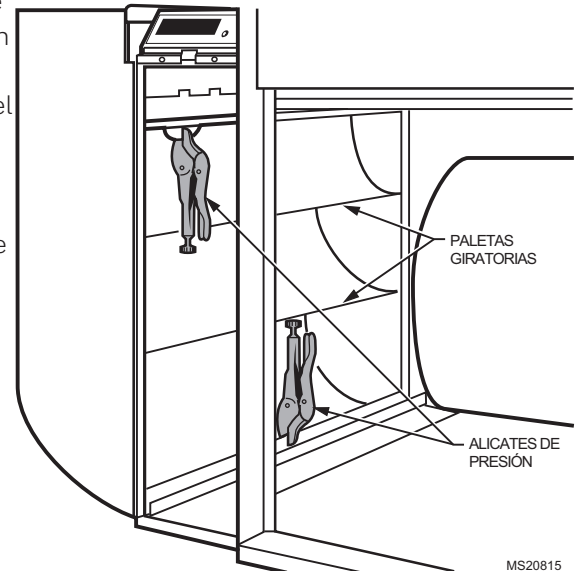
Instale las paletas giratorias para ayudar a distribuir el aire de manera uniforme sobre toda la superficie del lado en posición ascendente del limpiador de aire. Instálelas siempre que se coloque un codo abrupto de 90 grados directamente contra el gabinete del limpiador de aire electrónico.

PASO CINCO: Fijar el gabinete a los conductos

Fije el lado del gabinete a la red de conductos con tornillos de chapa, remaches o juntas deslizantes, según corresponda.

PASO SEIS: Conectar los conductos

- Conecte la sección del conducto vertical al codo. Si la caída vertical del conducto está a menos de 7 " (178 mm) del lateral de la caldera, acorte el tronco horizontal o coloque una pieza de inflexión en el codo. Consulte la figura a la derecha.
- Cuando los conductos estén correctamente alineados, conecte el conducto vertical al tronco horizontal.



PASO SIETE: Sellar las juntas

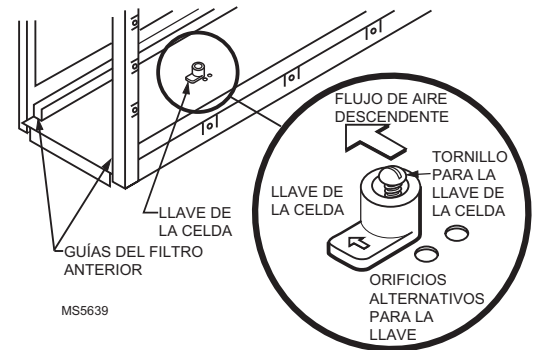
Selle todas las juntas del sistema de aire de retorno entre el limpiador de aire y la caldera para evitar que entre polvo en la corriente de aire limpio.

PASO OCHO: Posicionar la llave de la celda

La celda electrónica siempre se debe instalar de modo que la sección del ionizador esté en el lado ascendente. Una llave de celda instalada de fábrica en la parte inferior del gabinete permite que la celda se inserte en una sola dirección. Si la flecha en los puntos plásticos de la llave sigue la misma dirección que el flujo de aire, el ionizador siempre estará en el lado ascendente.

Si la posición de la llave se debe invertir, realice lo siguiente:

- Quite la celda electrónica.
- Quite el tornillo que sujeta la llave de la celda en su lugar.
- Gire la llave y colóquela sobre los orificios opuestos. La lengüeta en la parte inferior encaja en el orificio más grande y el tornillo encaja en el orificio más pequeño. Asegúrese de que la flecha en los puntos de la llave siga la dirección del flujo de aire (posición descendente).
- Fije el tornillo en el nuevo orificio.
- Inserte la celda electrónica. La sección del ionizador ahora estará en el lado de entrada de aire (posición ascendente) del gabinete.

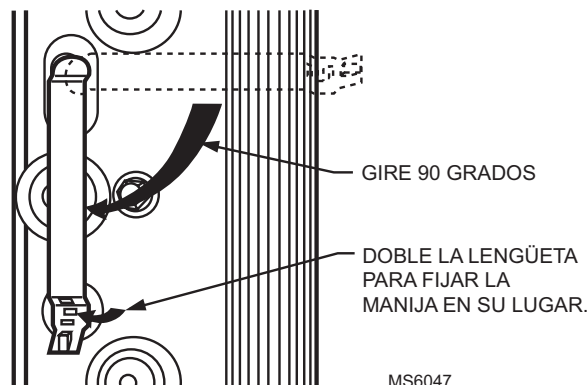


PASO NUEVE: Colocar las manijas de la celda

Las manijas de la celda que vienen con el limpiador de aire se deben instalar en el extremo de la celda más cercano a la puerta de acceso. Instalar en:

- Coloque la celda en la posición que estará cuando quede instalada. La placa de contacto gris debe estar hacia arriba y la flecha de flujo de aire estampada en la celda debe apuntar hacia abajo.
- Sostenga la manija hacia los lados e inserte la lengüeta sólida en la parte posterior de la manija en la ranura de la celda. Gire la manija 90 grados hacia la derecha para alinear la lengüeta dividida con el orificio cuadrado.
- Inserte la lengüeta dividida en el orificio cuadrado.
- Doble la cuña e insértala en la lengüeta dividida para fijar la manija en su lugar. Si es necesario, presione con un instrumento contundente, como el extremo de un alicate.

INSTALE LA MANIJA EN EL EXTREMO DE LA CELDA MÁS CERCANA A LA PUERTA DE ACCESO.



PASO DIEZ: Volver a ensamblar el limpiador de aire

- Inserte las celdas electrónicas con la placa de contacto gris hacia la fuente de alimentación y la flecha de flujo de aire apuntando hacia abajo. Si la celda no se desliza fácilmente dentro del gabinete, verifique la orientación de la llave de la celda.
- Inserte los filtros anteriores de malla metálica en el lado ascendente del gabinete en la guía provista.
- Inserte los filtros posteriores (en modelos seleccionados) en el lado descendente del gabinete en la guía provista.
- Reemplace la puerta de acceso. Inserte la lengüeta en la parte inferior de la puerta en la ranura del gabinete y, luego, gírela para cerrarla y presione para fijarla en su lugar. La puerta debe quedar sujeta firmemente en su lugar; de lo contrario, el filtro de aire no funcionará.

PASO ONCE: Completar el cableado

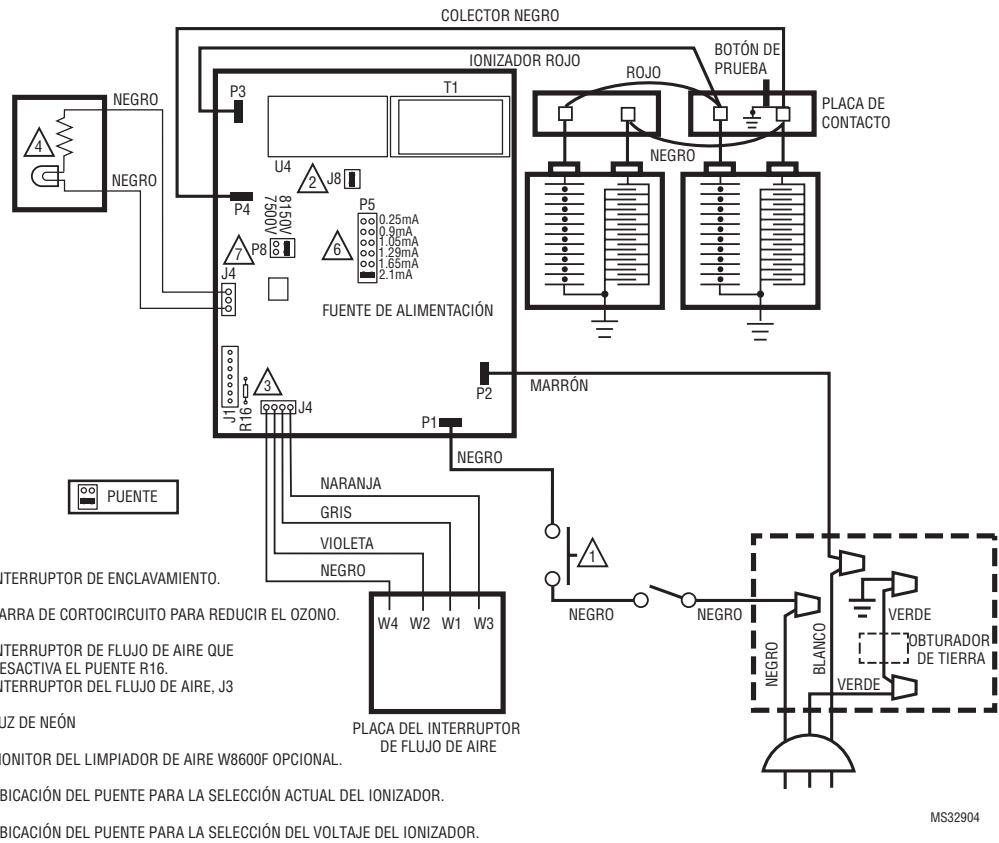
ADVERTENCIA

Peligro de descarga eléctrica.
Puede causar lesiones personales.
No utilice un cable de extensión.

- Asegúrese de que todo el cableado cumpla con los códigos y ordenanzas locales.
- La fuente de alimentación de voltaje de línea debe coincidir con el voltaje y la frecuencia impresos en la etiqueta dentro de la puerta de acceso.
- Cuando se enciende el ventilador del sistema, el interruptor del flujo de aire (Air Flow Switch, AFS) detecta la presión negativa en el conducto y enciende la fuente de alimentación. Si la alimentación hacia el limpiador de aire es controlada por otro interruptor, el AFS se puede desactivar desconectando el enchufe J3 del AFS y cortando el puente R16 de la fuente de alimentación.
- Enchufe el limpiador de aire electrónico directamente en la salida de voltaje y frecuencia correcta. Consulte la figura en la página 12 para ver el esquema interno. El limpiador de aire funciona correctamente con cualquier ventilador cuando está conectado a un conducto o enchufado.

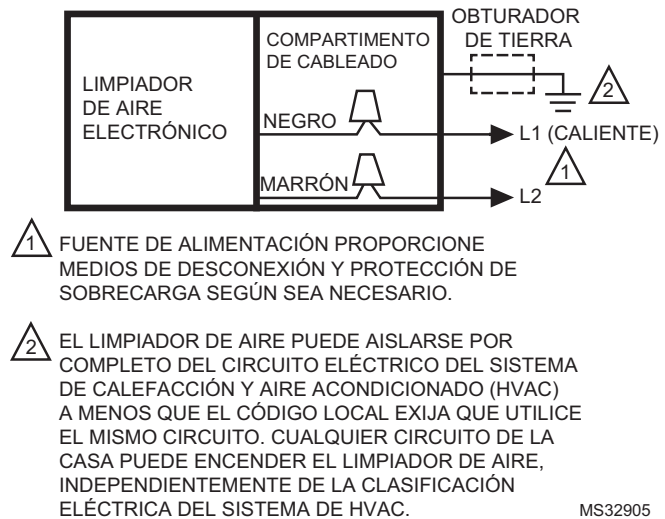
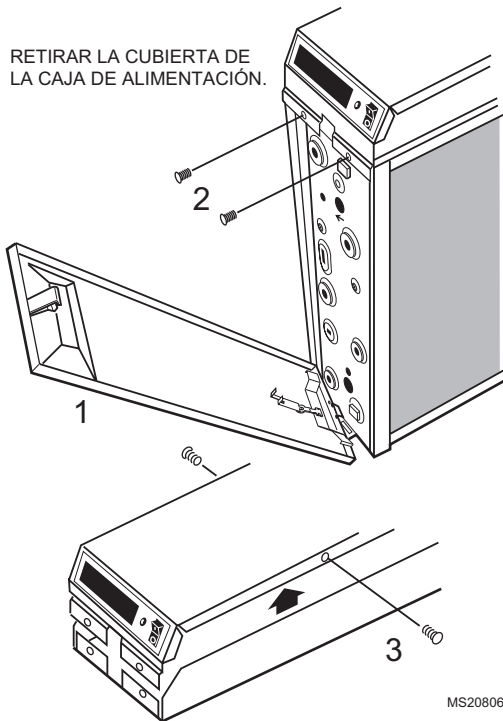
NOTA: Para reducir el riesgo de descarga eléctrica, este producto tiene un enchufe de conexión a tierra de tres patas (conexión a tierra). Este enchufe solo puede usarse en un tomacorriente con conexión a tierra. Si el enchufe no encaja en el tomacorriente, comuníquese con un electricista calificado para instalar el tomacorriente adecuado. No cambie el enchufe de ninguna manera.

- Como alternativa, el limpiador de aire electrónico se puede conectar a un conducto.



1. Abra la puerta de acceso.
2. Quite y guarde los dos tornillos de la parte frontal y de los laterales de la caja de alimentación. Consulte la figura en la página 13.
3. En la caja de alimentación, quite y guarde dos tuercas para cable que conectan el cable de línea que se dirige al cableado de la caja de alimentación.
4. Quite la tuerca para cable para desconectar el ensamblaje del obturador de tierra del cable verde de alimentación.
5. Quite el cable de alimentación y liberación de tensión.
6. Instale el enchufe (provisto con el paquete de información) en el orificio del cable de alimentación.
7. Coloque el conducto a través de un orificio ciego lateral de la caja de alimentación.

8. Conecte el cable de alimentación con conexión a tierra al ensamblaje del obturador de tierra con una tuerca para cable. Asegure la conexión a tierra al tornillo verde con conexión a tierra en la barrera del compartimiento de cableado.
9. Reemplace la cubierta de la fuente de alimentación y la puerta de acceso.



CABLEADO

Revisión

Inspeccione visualmente la instalación y asegúrese de lo siguiente:

- El flujo de aire sigue la dirección de la flecha en las celdas electrónicas.
- El filtro anterior de malla metálica está en el lado ascendente y el filtro posterior (si se usa) está en el lado descendente.
- Las manijas de la celda deben apuntar hacia afuera.
- La celda electrónica y el filtro anterior están limpios y secos.
- Las paletas giratorias y las transiciones, si se usan, están instaladas correctamente.
- Las juntas en la chapa entre el filtro de aire electrónico y el sistema de calefacción y refrigeración están sellados.
- Todas las conexiones de chapa están completas.
- Se ha quitado el filtro original de la caldera y se ha limpiado el compartimento del soplador.

Cuando haya completado la revisión, realice lo siguiente:

- Vuelva a colocar las puertas de acceso que retiró durante la instalación o la revisión.
- Ponga la caldera o el sistema de refrigeración en funcionamiento a través de un ciclo completo para asegurarse de que el sistema funcione correctamente.

Verifique el funcionamiento del limpiador de aire

Luego de colocar todos los componentes en su lugar, encienda el interruptor del limpiador de aire y active el soplador del sistema. **Verifique los siguientes puntos de funcionamiento:**

1. La luz de neón al lado del interruptor de encendido y apagado está encendida. La luz de neón muestra que el limpiador de aire está activo y que **la fuente de alimentación de alto voltaje funciona correctamente.**
2. Apague el soplador del sistema. La luz de neón debería apagarse después de unos segundos.
3. Encienda el soplador del sistema. Cuando el limpiador de aire esté activado, presione el botón de prueba. Un chasquido indica que el voltaje del colector está presente en la celda.
4. En caso de un soplador de varias velocidades, repita los pasos 1 a 3 para cada velocidad del ventilador.

Mantenimiento

El limpiador de aire se debe limpiar cuando la caída de presión a través del limpiador de aire alcance 0.5 " w.c. (0.1 kPa), o al menos una vez por año. Si el limpiador de aire se instala en posición descendente desde un humidificador de atomización o si la instalación incluye calefacción y refrigeración, es posible que el reemplazo se deba realizar con mayor frecuencia. Los filtros anteriores obstruidos se deben limpiar rápidamente para evitar restringir el flujo de aire y reducir la eficiencia del sistema de refrigeración y calefacción. Registre la fecha del mantenimiento en el espacio provisto en el Recordatorio para lavar el limpiador de aire electrónico y en el programa para reemplazar el filtro posterior.

Especificaciones

Las especificaciones en esta publicación no incluyen tolerancias normales de fabricación; por lo tanto, puede que una unidad individual no coincida exactamente con las especificaciones enumeradas.

Además, este producto se prueba y calibra en condiciones sumamente controladas, por lo que se pueden esperar algunas diferencias menores en el rendimiento si se cambian esas condiciones.

Eficiencia fraccional

Clasificaciones de eficiencia: Las clasificaciones de eficiencia se basan en la norma 52.2-1999 de la Sociedad Estadounidense de Ingenieros de Calefacción, Refrigeración y Aire Acondicionado. Las clasificaciones de eficiencia se definen para partículas pequeñas, E1 = .3 a 1.0 micrones; partículas medianas, E2 = 1.0 a 3.0 micrones; y partículas grandes, E3 = 3.0 a 10.0 micrones.

Tabla 5. Eficiencia fraccional con y sin filtro posterior.

Con filtro posterior	Sin filtro posterior
E1 = Hasta 81 % a 492 fpm..	E1 = Hasta 73 % a 492 fpm..
E2 = Hasta 93 % a 492 fpm.	E2 = Hasta 88 % a 492 fpm..
E3 = Hasta 99 % a 492 fpm.	E3 = Hasta 95 % a 492 fpm..

Rango de temperatura

Ambiente de funcionamiento:

40° a 125°F (4° a 52°C).

Temperatura del flujo de aire a través de las celdas:

40° a 125°F (4° a 52°C).

Temperatura máxima de lavado de celdas:

220°F (140°C).

Ambiente de envío y almacenamiento:

-40°F to +140°F (-40°C to +60°C).

Clasificaciones eléctricas

Voltaje y frecuencia:

Modelos disponibles para 120 V, 60 Hz, 240 V, 60 Hz. Los modelos de 120 V se pueden convertir en el campo a 240 V, 60 Hz o 220/240 V, 50 Hz con el kit de conversión 203365A.

Consumo:

Modelos de una celda: 22 W como máximo

Modelos de dos celdas: 36 W como máximo

Consumo de corriente: Consulte la tabla 2.

Voltaje del ionizador: 8150 Vdc.

Voltaje del colector: 4075 Vdc.

Montaje

Se monta en cualquier posición en el conducto de aire de retorno, generalmente al lado del compartimiento del soplador de la caldera. El gabinete es lo suficientemente resistente como para soportar el peso de una caldera residencial y una bobina de evaporador.

Aprobaciones

Underwriters Laboratories, Inc.: Archivo E30954.

Accesorios

- Kit de conversión 203365A para cambiar la fuente de alimentación de 120 V, 60 Hz a 240 V, 60 Hz o 220/240 V, 50 Hz

Piezas de repuesto

Consulte la sección Piezas de repuesto/Vista detallada.

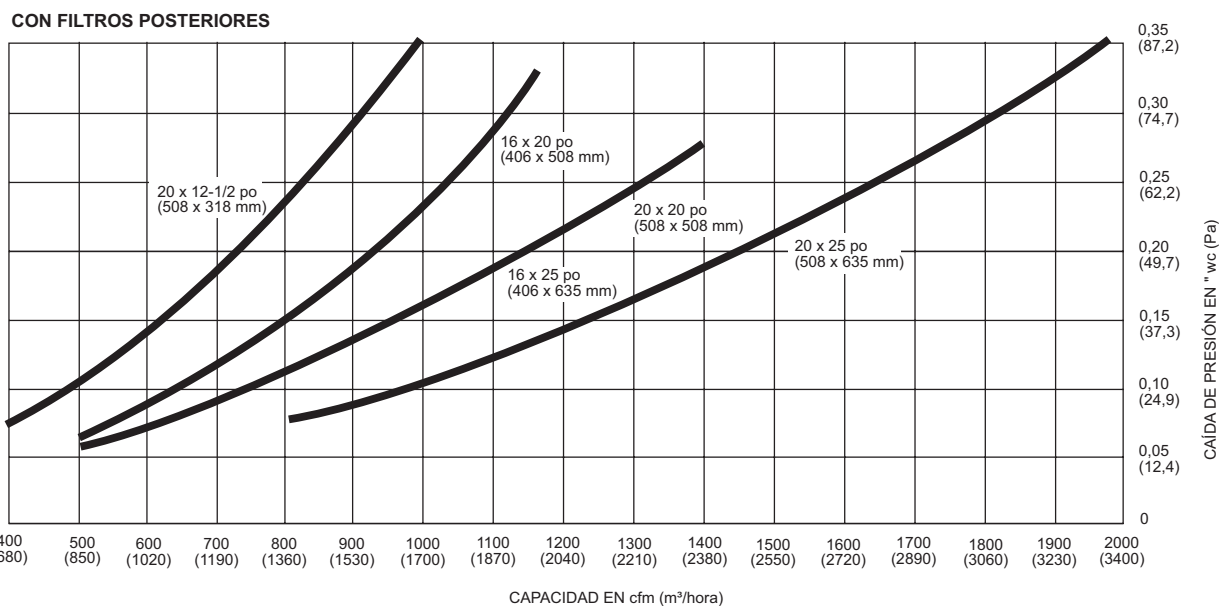
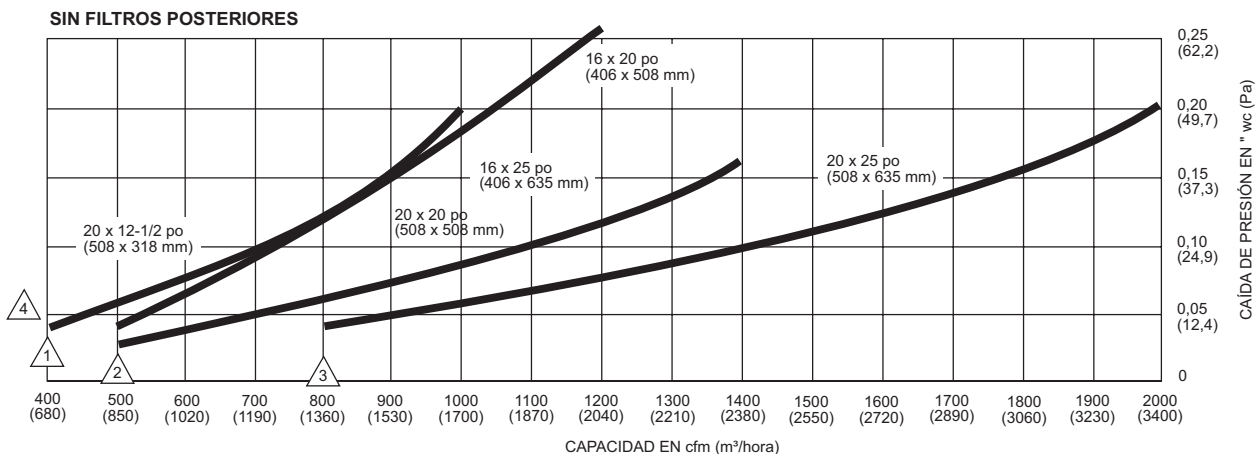
Tabla 6. Consumo de corriente

Tamaño		N.º de celda	Corriente máxima (A)	
pulgadas	mm		120 V	220/240 V
16 x 25	406 x 635	2	0,4	0,2
20 x 25	508 x 635	2	0,4	0,2
16 x 20	406 x 508	2	0,4	0,2
20 x 20	508 x 508	2	0,4	0,2
20 x 12-1/2	508 x 318	1	0,4	0,2

Capacidad y caída de presión

Caída de presión inicial: 0.15 " wc a 492 fpm.

LA CAÍDA DE PRESIÓN Y LA EFICIENCIA DEL LIMPIADOR DE AIRE A VARIAS TASAS DE FLUJO DE AIRE.



1 cfm MÍNIMO RECOMENDADO PARA MODELO DE 20 x 12-1/2" (508 x 318 mm).

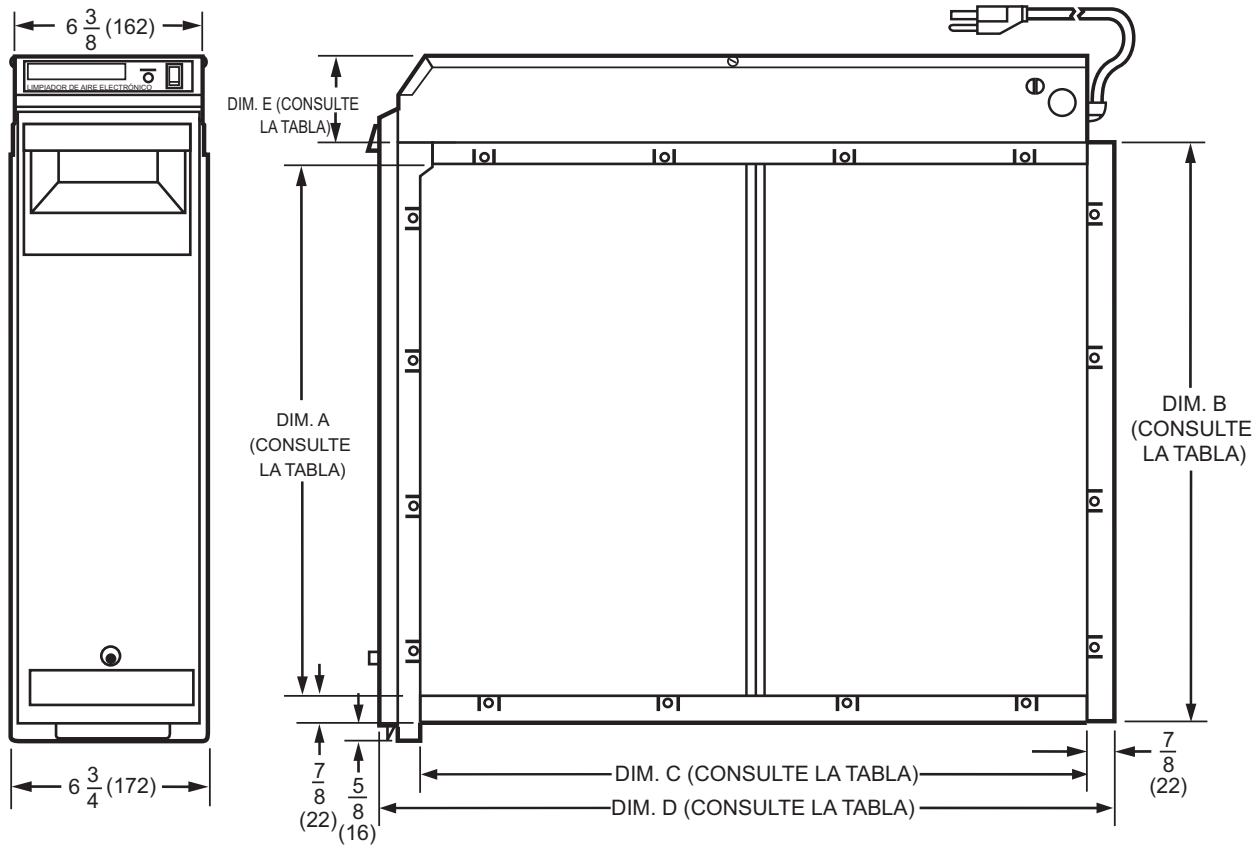
2 cfm MÍNIMO RECOMENDADO para MODELOS DE 16 x 25" (406 x 635 mm), 20 x 20" (508 x 508 mm), 16 x 20" (406 x 508 mm).

3 cfm MÍNIMO RECOMENDADO PARA MODELO DE 20 x 25" (508 x 635 mm).

4 SELECCIONE EL TAMAÑO QUE SE ADAPTE MEJOR A LAS DIMENSIONES DE LA CALDERA/APERTURA DE AIRE DE RETORNO DEL CONTROL DE AIRE

MS13654

Dimensiones



TAMAÑO F300		DIM. A		DIM. B		DIM. C		DIM. D		DIM. E	
PULGADAS	MM	PULGADAS	MM	PULGADAS	MM	PULGADAS	MM	PULGADAS	MM	PULGADAS	MM
16 X 25	406 X 635	14 7/16	367	16 3/16	411	23 1/4	591	25 1/2	648	2 3/4	70
16 X 20	406 X 508	14 7/16	367	16 3/16	411	18 1/4	457	20 1/2	521	2 3/4	70
20 X 25	508 X 635	18 7/16	468	20 3/16	513	23 1/4	591	25 1/2	648	2 3/4	70
20 X 20	508 X 508	18 7/16	468	20 3/16	513	18 1/4	457	20 1/2	521	2 3/4	70
20 X 12 1/2	508 X 318	18 7/16	468	20 3/16	513	10 7/8	276	13 1/8	333	3 5/8	92

MS2872

Peso

Elemento	Peso									
	16 x 20 po (406 x 508 mm)		16 x 25 po (406 x 635 mm)		20 x 12-1/2 po (508 x 318 mm)		20x 20 po (508x 508 mm)		20 x 25 po (508 x 635 mm)	
	lb	kg	lb	kg	lb	kg	lb	kg	lb	kg
Celda electrónica (cada una)	5	2,25	6	2,7	7-1/2	3,4	6-3/16	2,8	7-1/2	3,4
Peso de envío	30	13,6	33	15,0	25	11,3	33	15,0	38	17,2
Peso de instalación (celdas incluidas)	26	11,6	28	12,7	21	9,5	29	13,2	33	15,0

Servicio

Antes de realizar la limpieza del Limpiador de Aire electrónico este debe ser desconectado de la electricidad.

PRECAUCIÓN

Bordes filosos

Puede causar lesiones personales.

Manipule con cuidado las celdas o use guantes protectores para evitar cortarse con los bordes metálicos filosos.

Limpeza de celdas y filtros anteriores

Para garantizar un rendimiento óptimo del limpiador de aire, las celdas y los filtros anteriores se deben limpiar con regularidad y los filtros posteriores se deben reemplazar periódicamente, dos veces al año cuando el uso es normal o con mayor frecuencia cuando el uso es intensivo. La frecuencia de lavado varía según la cantidad de miembros de la familia, mascotas, actividades (como cocinar o trabajo de carpintería) y hábitos de fumar. Use el Programa de recordatorio de mantenimiento al final de este documento para establecer y cumplir con un programa de limpieza regular. Guarde su Programa de recordatorio de mantenimiento en un lugar conveniente.

NOTA: Para que el sistema de calefacción o aire acondicionado funcione de manera correcta mientras se lavan las celdas, simplemente apague el interruptor del limpiador de aire.

Limpeza del filtro anterior

1. La manera más rápida y fácil de limpiar el filtro anterior es usar el accesorio de cepillo de una aspiradora para aspirar la pelusa del lado sucio del filtro anterior. Para quitar la grasa, es posible que deba remojar el filtro anterior en una bañera o enjuagarlo con la manguera de jardín. No lave el filtro anterior en el lavavajillas ni en un lavadero de vehículos.
2. El filtro anterior se debe limpiar cada 6 meses o con mayor frecuencia cuando el uso es intensivo. Esto mantendrá el filtro anterior sin de pelusas que obstruyan el aire y que pueden hacer que su sistema funcione de manera sobreexigida.

Limpeza de las celdas

- Para realizar una limpieza rápida de las celdas, simplemente debe limpiar los cables del ionizador con un paño húmedo. Esto ayudará a aumentar la eficiencia del limpiador de aire entre ciclos completos de limpieza. Esta limpieza rápida se puede realizar cada vez que se limpian los filtros anteriores.
- Una limpieza completa de las celdas hará que el limpiador de aire recupere su máxima eficiencia. Una manera fácil de lavar las celdas es en una bañera con agua caliente y jabón. Simplemente remoje las celdas hasta que el agua se enfríe, luego agite y enjuague. Para obtener información detallada, consulte las siguientes instrucciones sobre la limpieza de celdas en un contenedor, el lavavajillas automático o el lavadero de vehículos.
- La limpieza completa de las celdas se puede posponer para realizar el mantenimiento anual debido a que la eficiencia del limpiador de aire sigue siendo alta incluso cuando se carga con suciedad. La limpieza rápida se puede realizar con mayor frecuencia. Aquellos que deseen volver a obtener la máxima eficiencia del limpiador de aire o que lo utilicen de manera intensiva deben lavarlas con mayor frecuencia.
- Para proteger el aluminio de las celdas, Resideo recomienda usar un detergente para lavavajillas automático. No se recomienda usar limpiadores de uso múltiple o limpiadores de bobinas, ya que pueden deteriorar el aluminio en las celdas con el tiempo.

Reemplazo del filtro posterior

1. El filtro posterior es un filtro opcional que mejora la eficiencia del limpiador de aire. No lave el filtro posterior porque eso neutralizará la carga aplicada de fábrica.
2. El filtro posterior se debe reemplazar cada seis meses para garantizar el máximo rendimiento.

Lavado de celdas en un contenedor

PRECAUCIÓN

Sustancia química peligrosa.

Puede causar lesiones personales.

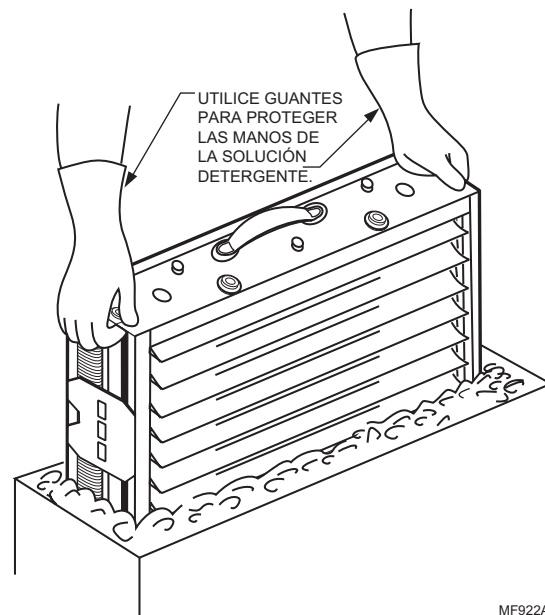
No salpique la solución detergente en los ojos. Use guantes de goma para evitar el contacto prolongado del detergente con la piel. Mantenga el detergente y la solución fuera del alcance de los niños.

NOTA: Siempre lave primero las celdas y, luego, los filtros anteriores para evitar que la pelusa del filtro anterior quede atrapada en las celdas.

1. Use un contenedor lo suficientemente grande, como una pileta para lavar la ropa o un tacho de basura, para meter una o ambas celdas.

NOTA: Las esquinas filosas de las celdas pueden rayar la superficie de la bañera.

2. Disuelva aproximadamente 3/4 de taza de detergente para lavavajillas automático por celda en suficiente agua caliente para cubrir las celdas. Si el detergente no se disuelve fácilmente o forma espuma en el agua, pruebe con otra marca o use agua suavizada.
3. Después de que el detergente se haya disuelto por completo, coloque las celdas en el contenedor y déjelas en remojo durante 15 a 20 minutos. Agítelas hacia arriba y hacia abajo varias veces, y retírelas.
4. Luego, lave los filtros anteriores de la misma manera. Vacíe y enjuague el contenedor de lavado.



1. Enjuague las celdas y los filtros anterior con un rociador duro de agua muy caliente; enjuague la bañera y, luego, llénela con agua caliente limpia y déjelas en remojo durante 5 a 15 minutos. Enjuague hasta que el agua que sale de las celdas y los filtros anteriores ya no se sienta resbaladiza.
2. Remoje las celdas y los filtros anteriores para realizar un último enjuague con agua limpia durante 10 minutos.
3. Limpie los cables del ionizador y la placa de contacto en el extremo de la celda usando el pulgar y el índice con un paño pequeño y húmedo.

Lavado en lavavajillas automático

REMARQUE: Antes de lavar las celdas en un lavavajillas automático, primero intente lavarlas en un contenedor.

PRECAUCIÓN

Peligro de quemaduras.

Puede causar lesiones personales.

Deje que las celdas se enfríen completamente en el lavavajillas al final del ciclo de lavado o use guantes protectores para evitar quemaduras. Se puede acumular agua caliente en los tubos que sostienen las placas del colector; incline las celdas para que los tubos puedan drenarse.

- Consulte el manual del propietario del lavavajillas. Algunos fabricantes no recomiendan lavar las celdas electrónicas en lavavajillas.
- Si el lavavajillas tiene brazos superiores e inferiores, coloque las celdas con cuidado para permitir una buena circulación del agua.
- Tenga cuidado de no dañar las celdas cuando las coloque en el lavavajillas. La garantía no cubre los cables rotos del ionizador ni las placas dobladas del colector.
- Las celdas muy sucias, especialmente por el humo del tabaco o de la cocina, pueden decolorar las piezas de plástico y el revestimiento de algunos lavavajillas. Esta decoloración no es dañina. Para evitarla, lave las celdas con mayor frecuencia o pruebe con una marca diferente de detergente.
- No permita que el lavavajillas pase por el ciclo de secado. Esto cuece cualquier contaminante que no se eliminó durante el ciclo de lavado y reduce la eficiencia del limpiador de aire.

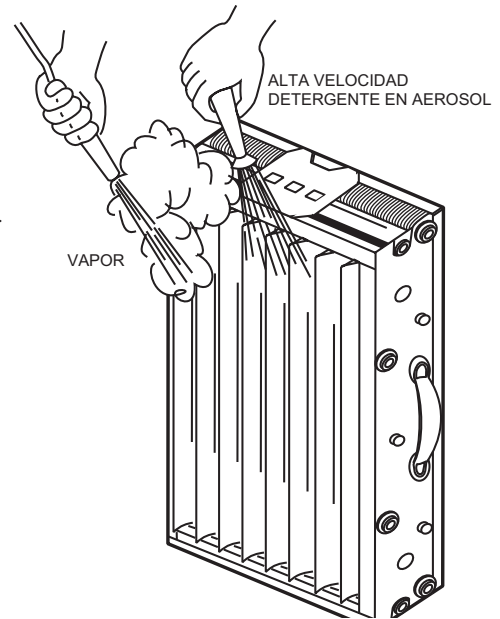
1. Coloque las celdas en la rejilla inferior del lavavajillas con la flecha del flujo de aire apuntando hacia arriba. Es posible que se deba quitar la rejilla superior. No bloquee el flujo de agua hacia el brazo superior.

NOTA: Coloque unos vasos de agua grandes entre los picos en la rejilla inferior y deposite las celdas sobre ellos para que los picos no dañen las cuchillas de aluminio del colector.

2. Con detergente regular para lavavajillas, deje que el lavavajillas pase por el ciclo completo de lavado y enjuague. No use el ciclo de secado. Para evitar quemaduras, deje que las celdas se enfríen por completo antes de quitarlas, o use guantes protectores cuando las quite. Recuerde que puede quedar agua atrapada dentro de las celdas. Incline las celdas para que los tubos puedan drenarse.
3. Limpie los cables del ionizador y la placa de contacto en el extremo de la celda usando el pulgar y el índice con un paño pequeño y húmedo.
4. Inspeccione el lavavajillas. Si queda suciedad o residuos luego de lavar las celdas, vuelva a ejecutar el ciclo de lavado o enjuague con el lavavajillas vacío. Si queda demasiada suciedad o residuos, lave las celdas con mayor frecuencia o pruebe con un detergente diferente.

Lavado de celdas en el lavadero de vehículos

Para limpiar las celdas, use el rociador manual de un lavadero de vehículos a monedas. Sostenga la boquilla al menos a dos pies de distancia de la unidad para evitar daños (como cables de ionizador rotos o placas del colector dobladas) de la corriente de agua a alta presión. Siga la misma secuencia de lavado y enjuague que se recomienda para los automóviles. Sin embargo, no encere las celdas. Asegúrese de enjuagar hasta que el agua que sale de las celdas ya no se sienta resbaladiza.



Reinstalación de celdas y filtros anteriores

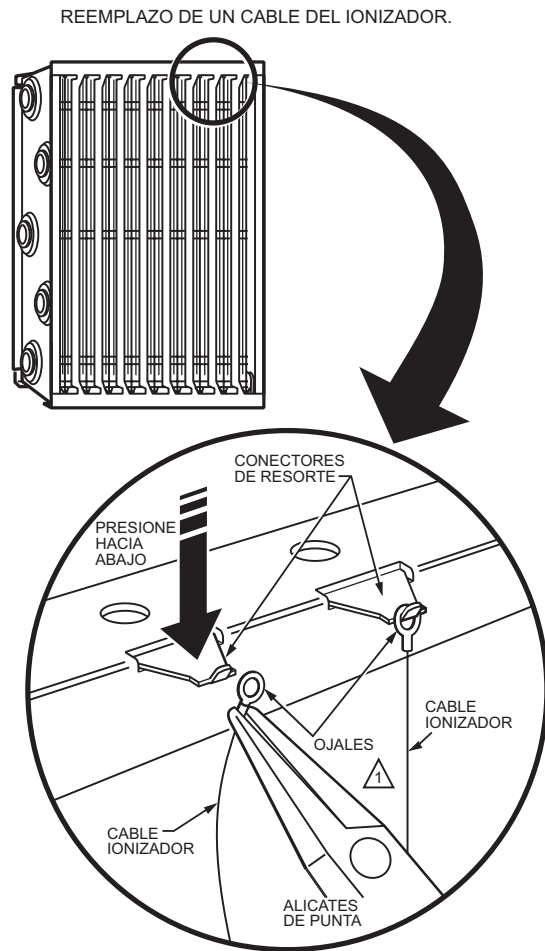
1. Inspeccione y verifique que no haya cables del ionizador rotos y placas del colector dobladas en las celdas. Repare según sea necesario o diríjase a una estación de reparación de limpiadores de aire autorizada por Resideo.
2. Deslice los filtros anteriores en las guías para filtro anterior en sentido ascendente.
3. Deslice las celdas del limpiador de aire para que la flecha del flujo de aire apunte hacia abajo y las manijas apunten hacia afuera.
4. Cierre firmemente la puerta de acceso.
5. Espere dos o tres horas hasta que las celdas estén secas y, luego, encienda el limpiador de aire. Si las celdas y los filtros anteriores están húmedos, es posible que la luz de neón no se encienda y que escuche una descarga eléctrica.

Reemplazo de filtros posteriores

Para mejorar la eficiencia de filtración de los filtros posteriores, reemplácelos cada seis meses. Los filtros de repuesto están disponibles en el mismo tamaño y configuración que la unidad original. Póngase en contacto con su distribuidor local de Resideo para comprar filtros de repuesto. Instale los filtros de repuesto exactamente como los filtros provistos con el equipo. Use el Programa de recordatorio de mantenimiento al final de este documento para establecer y llevar un programa de reemplazo regular. Guarde su Programa de recordatorio de mantenimiento en un lugar conveniente.

Reemplazo de los cables del ionizador

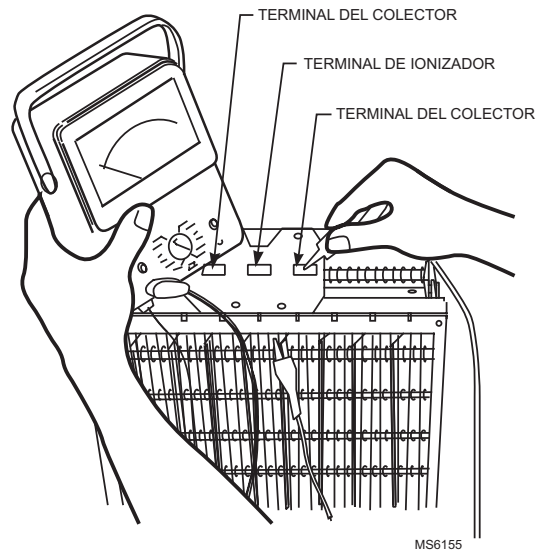
Los cables de ionizador rotos o doblados pueden causar un cortocircuito a tierra, lo que a menudo genera una descarga eléctrica o chispas visibles. No use las celdas hasta que se retiren los cables rotos. Las celdas se pueden usar temporalmente con un cable faltante, pero reemplace el cable lo antes posible. Los cables de repuesto se suministran cortados a la medida con ojales en ambos extremos para que la instalación sea sencilla. Consulte la sección Piezas y accesorios que no figuran en las imágenes. Instalar en:



⚠ DOS OJALES SOSTIENEN EL CABLE DEL IONIZADOR PARA CELDA.

MS1540

1. Enganche el ojal en un extremo del cable sobre el conector de resorte en un extremo de la celda. Tenga cuidado de no dañar los conectores de resorte u otras partes de las celdas.
2. Sostenga el ojal opuesto con un alicate de punta y estire el cable a lo largo de la celda. Presione el conector de resorte opuesto y enganche el ojal sobre él.
3. Inspeccione y verifique que no haya cortocircuitos en la celda utilizando un medidor de ohm; consulte la figura a la derecha. Verifique la resistencia entre el marco de la celda y los contactos del ionizador y del colector. En cada caso, la resistencia debe ser infinita.



Modificación para reducir el olor a ozono

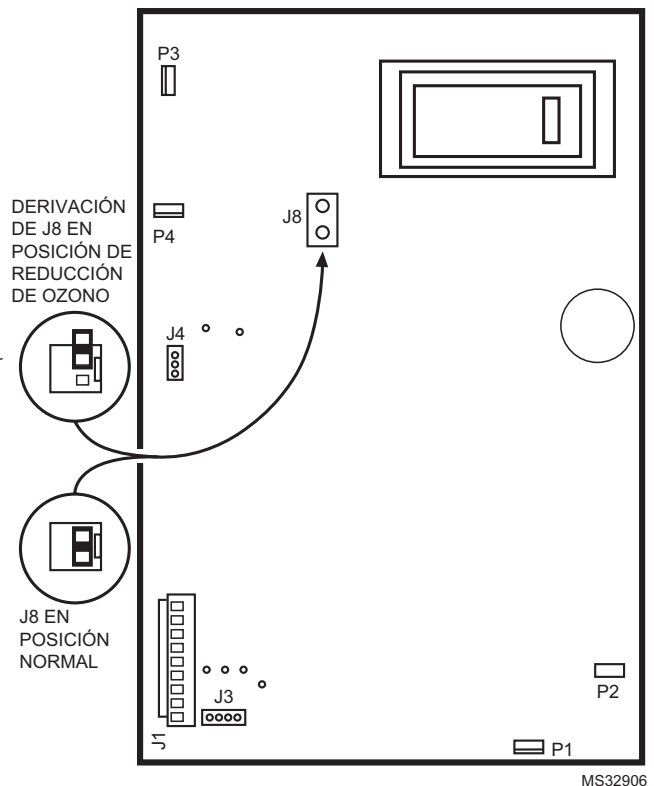
PRECAUCIÓN

Peligro de descarga eléctrica.
Puede causar lesiones personales.
Siempre desconecte la alimentación y abra la puerta de acceso antes de abrir la cubierta de la fuente de alimentación.

El limpiador de aire electrónico genera una pequeña cantidad de ozono cuando funciona normalmente. Durante la primera o segunda semana de funcionamiento, la cantidad puede ser mayor debido a los bordes filosos en algunas de las nuevas piezas metálicas de alto voltaje. El uso normal desafilado rápidamente estos bordes.

Si lo desea, el ozono generado por el limpiador de aire se puede reducir de dos maneras:

1. Instale un filtro de carbón activado en posición descendente desde el limpiador de aire. Asegúrese de que las partículas del filtro de aire no puedan caer en el filtro de aire.
2. Mueva la barra de cortocircuito J8. Esto reducirá la producción de ozono entre un 20 y un 25 por ciento, y reducirá la eficiencia entre un siete y un diez por ciento, según el flujo de aire real suministrado por el soplador de la caldera.
 - a. Desenchufe o desconecte la fuente de alimentación del limpiador de aire.
 - b. Abra la puerta de acceso. Consulte el procedimiento y la figura en la página 13.
 - c. Retire la cubierta de la caja de alimentación. Consulte el procedimiento y la figura en la página 13.
 - d. Mueva la barra de cortocircuito J8. Consulte la figura a la derecha.



Piezas de repuesto

N.º	Descripción	Apertura nominal de aire de retorno			
		16 x 20 p" (406 x 508 mm)	16 x 25 " (406 x 635 mm)	20 x 20 " (508 x 508 mm)	20 x 25 " (508 x 635 mm)
1	La puerta F300 incluye N.º 2	32007528-003		32007528-003	
2	Conjunto de botones de prueba	137980A (1)			
3	Celda electrónica	FC37A1114 (2)	FC37A1130 (2)	FC37A1049 (2)	FC37A1064 (2)
4	Manija de la celda	137266 (2)	137266 (2)	137266 (2)	137266 (1)
5	Filtro anterior (sin clips de resorte)	209989 (2)	203371 (2)	203373 (2)	203372 (2)
6	Llave de la celda	136518 (1)			
7	Ensamblaje de la caja de alimentación F300, serie dosb. Incluye N.º 8-20. 120 V, 60 Hz Cubierta blanca.	PS1201B20 (1)	PS1201B25 (1)	PS1201B20 (1)	PS1201B25 (1)
	240 V, 60 Hz ^c				
8	Interruptor	203321 (1)			
10	Fuente de alimentación F300, serie dosb. 120 V, 60 Hz	PS1201A00 (1)			
	240 V, 60 Hz	N/C ^c			
11	Interruptor y soporte de enclavamiento	PS1201B20 (1)			
13	Parte frontal del ensamblaje de la placa de terminal	203329B (1)	203329B (1)	N/D	203329B (1)
14	Ensamblaje trasero de la placa de terminal	203329A (1)		203329A (1)	
17	Cable de línea	PS1201B20 ou PS1201B25 (1)			
19	Ensamblaje de neón	4074EYS (1)			
20	Interruptor del flujo de aire, conexión de la clavija	4074ETH (1)			
	Interruptor del flujo de aire, conexión del enchufe	4074EZB (1)		4074EZB (1)	
21	Ensamblaje de bolsa FC37A para reparar la celda. Contiene lo siguiente: 2 Clips de conector, 1 Placa de terminal e instrucciones	4074EHG			
22	Filtro posterior (opcional)	50000293-001	50000293-002	50000293-003	50000293-004

^b Serie dos, compatible con W8600F.

^c Utilice el kit de conversión 203365A para cambiar el modelo de 120 V, 60 Hz a 240 V, 60 Hz

^d Cambie de cubierta blanca a cubierta negra como un cambio continuo. Use la cubierta original para la combinación de colores.

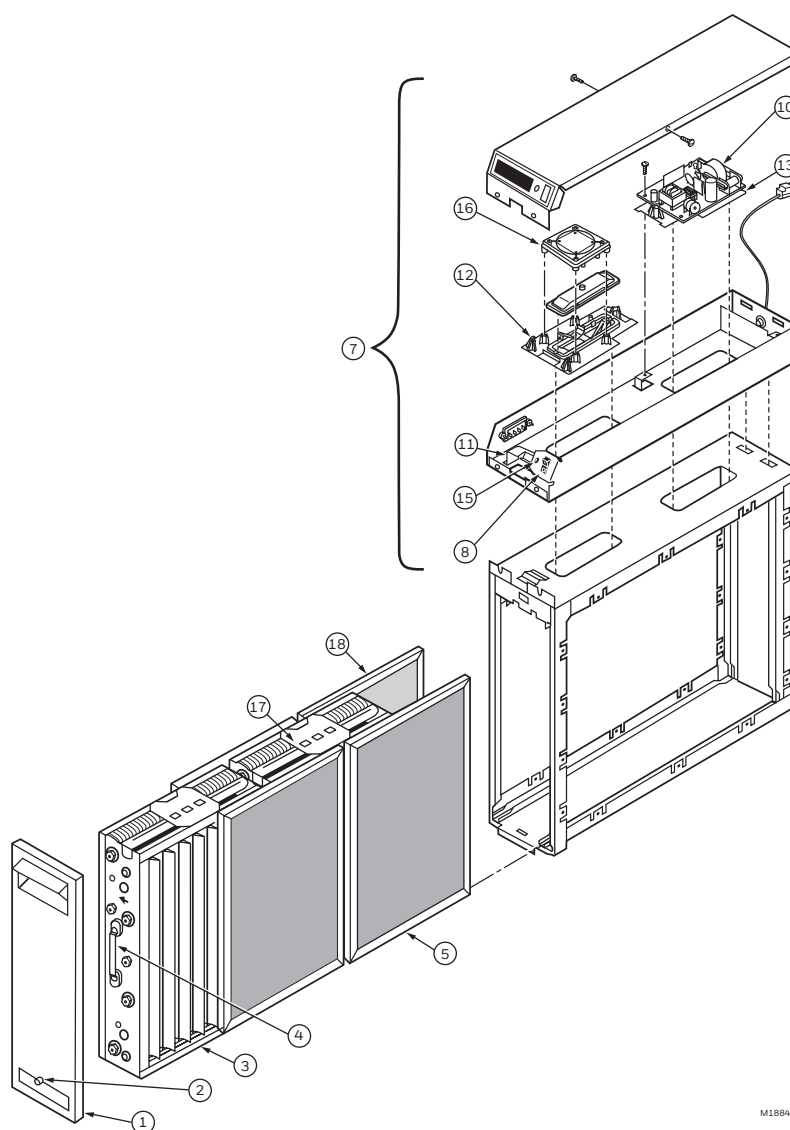
(#) = Cantidad requerida por unidad.

N/C = No está disponible como pieza para la venta.

Piezas y accesorios que no figuran en las imágenes

Descripción	Apertura nominal de aire de retorno				
	16 x 20 " (406 x 508 mm)	16 x 25 " (406 x 635 mm)	20 x 12-1/2 " (508 x 318)	20 x 20 " (508 x 508 mm)	20 x 25 " (508 x 635 mm)
Kit de juntas del gabinete del limpiador de aire	32002109-001 (Obsoleto; solo disponible hasta agotar existencias)				
Cables de ionizador (múltiplos de 5)	136434BA	136434BA	136434AA	136434AA	136434AA
Kit de conversión de 240 V	203365A	203365A	N/C	203365A	203365A

N/C = No está disponible como una pieza para la venta.



M18846G

GUÍA DE SOLUCIÓN DE PROBLEMAS DEL FILTRO DE AIRE ELECTRÓNICO

INICIO

ASEGÚRESE DE QUE LAS CELDAS ELECTRÓNICAS ESTÉN LIMPIAS, SECAS Y CORRECTAMENTE INSTALADAS. ASEGÚRESE DE QUE LOS FILTROS ANTERIORES DE METAL ESTÉN COLOCADOS EN EL LADO DONDE EL AIRE INGRESA AL FILTRO DE AIRE, Y QUE LOS FILTROS POSTERIORES (SI LOS HUBIESE) SE COLOQUEN EN EL LADO DONDE EL AIRE SALE DEL LIMPIADOR DE AIRE.

ENCIENDA EL INTERRUPTOR DE ENERGÍA EN EL LIMPIADOR DE AIRE Y ENCIENDA EL VENTILADOR DE HVAC.

REVISE LA LUZ DEL SISTEMA EN EL LIMPIADOR DE AIRE.

ENCENDIDO

PULSE EL BOTÓN DE PRUEBA EN LA PUERTA DEL LIMPIADOR DE AIRE Y ESCUCHE EL SONIDO.

SI

EL LIMPIADOR DE AIRE FUNCIONA CORRECTAMENTE.

INSPECCIONE Y VERIFIQUE QUE LAS CELDAS PARA

- NO TENGA LAS PLACAS DEL COLECTOR DOBLADAS
- CABLES DEL IONIZADOR ROTOS
- ACUMULACIÓN DE SUCIEDAD EN LOS AISLANTES
- CONTACTOS DAÑADOS EN LA PLACA DE TERMINAL EN EL EXTREMO DE LA CELDA

SI

REEMPLACE O REPARE LAS CELDAS.

CON UN MEDIDOR DE OHM, INSPECCIONE Y VERIFIQUE QUE NO HAYA CORTOCIRCUITOS ENTRE:

- EL MARCO DE LA CELDA Y LOS CABLES DEL IONIZADOR
- EL MARCO DE LA CELDA Y LAS CUCHILLAS DEL COLECTOR

CORTOCIRCUITO DETECTADO

REEMPLACE LAS CELDAS.

NINGÚN CORTOCIRCUITO DETECTADO

LAS CELDAS ESTÁN BIEN SUSTITUYA LA FUENTE DE ALIMENTACIÓN DEL LIMPIADOR DE AIRE.

PARA USAR ESTA TABLA:

1. SIGA LOS PASOS EN ORDEN; NO SE SALTEE NINGUNO.
2. CADA VEZ QUE SOLUCIONE UN PROBLEMA, VUELVA A COMENZAR.
3. REPITA TODOS LOS PASOS HASTA QUE EL LIMPIADOR DE AIRE FUNCIONE CORRECTAMENTE.

NOTA: SI UN MONITOR DEL LIMPIADOR DE AIRE W8600F ESTÁ CONECTADO AL LIMPIADOR DE AIRE, DESCONECTE EL LIMPIADOR DE AIRE DEL W8600F ANTES DE INICIAR ESTE PROCEDIMIENTO. EL W8600F SE PUEDE REVISAR POR SEPARADO. CONSULTE LA FICHA DE INSTRUCCIONES DEL W8600F.

SI

SUSTITUYA EL ENSAMBLAJE DE LUZ O INTERRUPTOR.

APAGADO

PULSE EL BOTÓN DE PRUEBA EN LA PUERTA DEL LIMPIADOR DE AIRE Y ESCUCHE EL SONIDO.

NO

APAGUE EL INTERRUPTOR DE ENERGÍA DEL LIMPIADOR DE AIRE. RETIRE LA PUERTA Y COMPRUEBE QUE LOS CONTACTOS EN EL INTERIOR DEL BOTÓN DE PRUEBA FUNCIONEN CORRECTAMENTE.

NO

CONTACTOS DE REPARACIÓN EN EL BOTÓN DE PRUEBA.

SI

RETIRE LAS CELDAS (DEJE LOS FILTROS ANTERIORES EN SU LUGAR). CIERRE LA PUERTA DE ACCESO Y ENCIENDA EL INTERRUPTOR DE ENERGÍA DEL LIMPIADOR DE AIRE.

ENCENDIDO

REVISE LA LUZ DEL SISTEMA EN EL LIMPIADOR DE AIRE.

APAGADO

ADVERTENCIA
ESTE PASO SUPONE UNA PELIGROSA EXPOSICIÓN A ALTO VOLTAJE. SOLO UN TÉCNICO DE MANTENIMIENTO CALIFICADO DEBE REALIZAR ESTE PASO.

COMPRUEBE EL VOLTAJE CORRECTO DE ENTRADA EN LOS TERMINALES P1 Y P2 EN LA PLACA DE ALIMENTACIÓN.

NO

ARREGLAR CABLEADO

SI

SUSTITUYA LA FUENTE DE ALIMENTACIÓN DEL LIMPIADOR DE AIRE

ESTE LIMPIADOR DE AIRE PRODUCE UN NIVEL MÍNIMO DE OZONO COMO PRODUCTO SECUNDARIO DE FUNCIONAMIENTO NORMAL, LO CUAL SE CONSIDERA ACEPTABLE EN VIRTUD DE LO PRESCRITO POR LA ADMINISTRACIÓN DE ALIMENTOS Y MEDICACIÓN DE EE. UU. (Food and Drug Administration, FDA.) PARA OBTENER MÁS INFORMACIÓN, CONSULTE EL MANUAL DEL PROPIETARIO. SI DESEA OBTENER UN MANUAL DEL PROPIETARIO DE REPUESTO, LLAME AL 1-800-468-1502 O VISITE honeywellhome.com

ADVERTENCIA

LA CONVERSIÓN INCORRECTA A UN LIMPIADOR DE AIRE PROMEDIO SUPONE UN PELIGRO DE INCENDIO. CUANDO CONVIERTA UN LIMPIADOR DE AIRE ELECTRÓNICO EN UN LIMPIADOR DE AIRE PROMEDIO, LA FUENTE DE ALIMENTACIÓN SE DEBE RETIRAR O DESACTIVAR DE MANERA PERMANENTE.

MS13656

Recordatorio para lavar el limpiador de aire electrónico y programa para reemplazar el filtro posterior

Resideo recomienda que lave el limpiador de aire electrónico y reemplace el filtro posterior al menos una vez al año a partir de la fecha de instalación. Use la siguiente tabla para realizar un seguimiento del mantenimiento de su limpiador de aire electrónico.

Fecha de instalación:			
Fecha	Lavado del limpiador de aire	Reemplazo del filtro posterior	Iniciales
	<input type="checkbox"/>	<input type="checkbox"/>	
	<input type="checkbox"/>	<input type="checkbox"/>	
	<input type="checkbox"/>	<input type="checkbox"/>	
	<input type="checkbox"/>	<input type="checkbox"/>	
	<input type="checkbox"/>	<input type="checkbox"/>	
	<input type="checkbox"/>	<input type="checkbox"/>	
	<input type="checkbox"/>	<input type="checkbox"/>	
	<input type="checkbox"/>	<input type="checkbox"/>	
	<input type="checkbox"/>	<input type="checkbox"/>	
	<input type="checkbox"/>	<input type="checkbox"/>	
	<input type="checkbox"/>	<input type="checkbox"/>	
	<input type="checkbox"/>	<input type="checkbox"/>	
	<input type="checkbox"/>	<input type="checkbox"/>	



Resideo Technologies, Inc.
1985 Douglas Drive North, Golden Valley, MN 55422
1-800-468-1502
68-0240EFS-01 M.S. 04-20 | Impreso en EE. UU.

www.resideo.com

© 2020 Resideo Technologies, Inc. All rights reserved.
The Honeywell Home trademark is used under license from Honeywell International, Inc.
This product is manufactured by Resideo Technologies, Inc. and its affiliates.
Tous droits réservés. La marque de commerce Honeywell Home est utilisée avec l'autorisation d'Honeywell International, Inc.
Ce produit est fabriqué par Resideo Technologies, Inc. et ses sociétés affiliées.
Todos los derechos reservados. La marca comercial Honeywell Home se utiliza bajo licencia de Honeywell International, Inc.
Este producto es fabricado por Resideo Technologies, Inc. y sus afiliados.