

KOHLER®

Vault™ Top-mount/Under-mount Kitchen Sink K-3839-3

Features

- 36-inch minimum base cabinet width.
- 18-gauge stainless steel.
- Top-mount or under-mount.
- Large/medium bowls.
- Smart Divide® lowered divider.
- Three faucet holes.
- Includes left bottom bowl rack.
- Includes installation hardware.
- Includes SilentShield® sound-absorption technology.
- 33" (838 mm) x 22" (559 mm).

Optional Accessories

- K-6429 Utility Rack
- K-6432 Saddle Towel Bar
- K-6434 Saddle Utility Rack
- K-6647 Bottom Bowl Rack (for small bowl)
- K-6667 Wood Cutting Board
- K-8801-NBR Sink Strainer

Components

Product includes:

- 1177160 Hardware Kit, Top-mount



Codes/Standards

ASME A112.19.3/CSA B45.4

Lifetime Limited Warranty for KOHLER® Stainless Steel Sinks

See website for detailed warranty information.

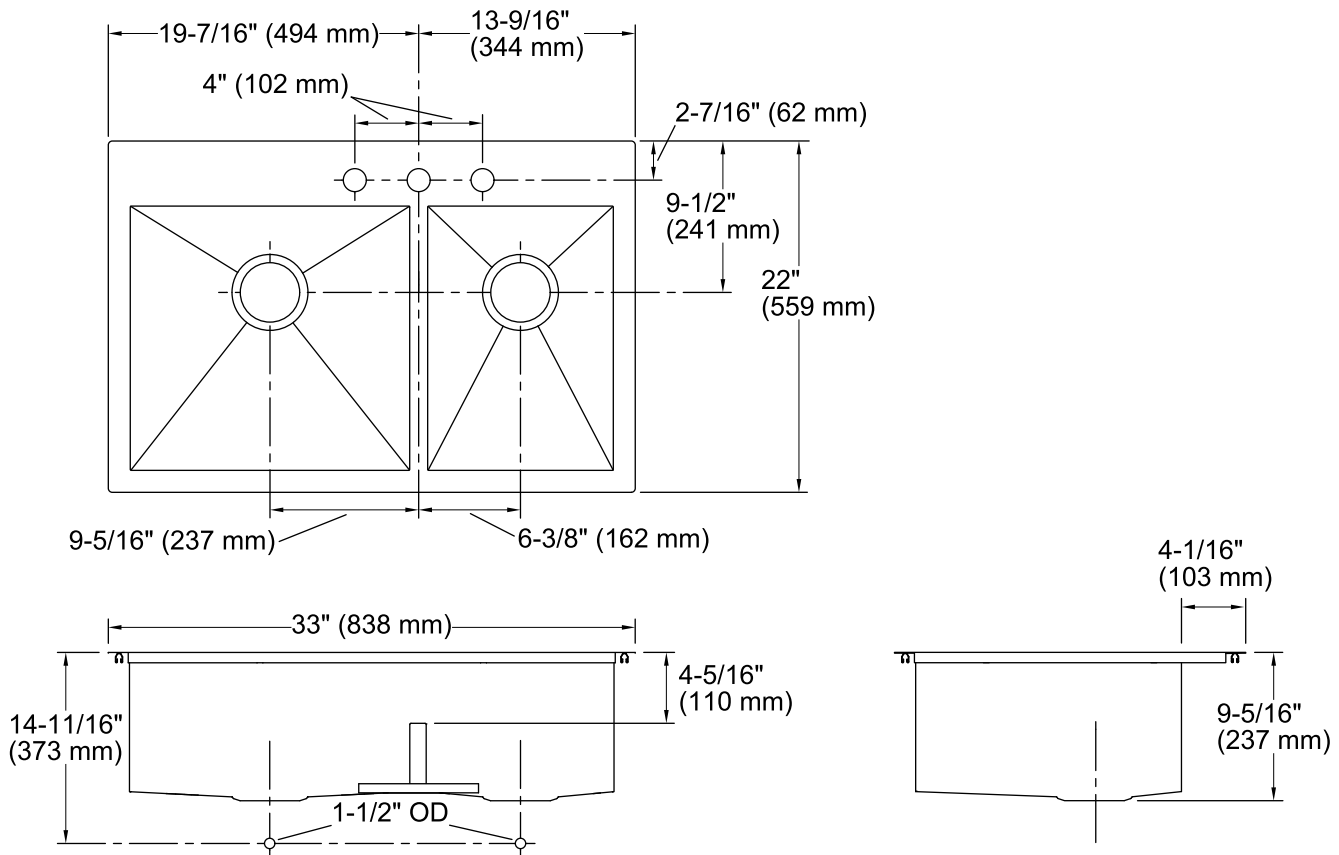
USA/Canada: 1-800-4KOHLER (1-800-456-4537)

Kohler Co. reserves the right to make revisions without notice to product specifications.

For the most current Specification Sheet, go to www.kohler.com.

3-7-2017 07:32

THE BOLD LOOK
OF **KOHLER®**



Technical Information

All product dimensions are nominal.

Bowl configuration:	Offset
Installation:	Top-mount, Under-mount
Bowl area (Left)	Length: 17-1/2" (445 mm) Width: 16-9/16" (420 mm) Bowl depth: 9" (229 mm) Water depth: 9" (229 mm)
Bowl area (Right)	Length: 11-5/8" (295 mm) Width: 16-9/16" (420 mm) Bowl depth: 9" (229 mm) Water depth: 9" (229 mm)
Number of deck holes:	3
Faucet hole(s):	1-7/16" (37 mm)
Drain hole:	3-3/4" (94 mm)
Template:	1130823-7, required, included

Notes

Install this product according to the installation instructions.

Allow 3/4" (19 mm) clearance beyond the back of the bowl for the wood cutting board (optional accessory).