

## Finger Touch Plug Lavatory Drain

**Model #: 814-**



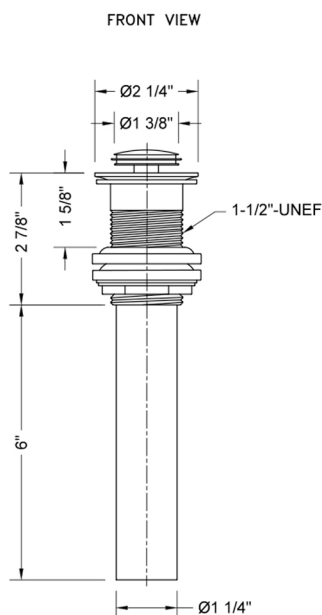
### FEATURES:

- Replaces standard pop-ups and p.o. plugs with rubber stoppers
- Fully polished & plated (17 gauge)
- Fits 1 1/2" opening (standard flange)
- Drain can be opened or closed in basin
- Without overflow
- Threads are unfinished in MBK, WH & JACLO=COLOR

### AVAILABLE FINISHES:

Polished Chrome (PCH)	Satin Chrome (SC)	Bronze Umber (BU)
Satin Nickel (SN)	Pewter (PEW)	Caramel Bronze (CB)
Polished Nickel (PN)	Antique Brass (AB)	Antique Copper (ACU)
Oil-Rubbed Bronze (ORB)	Polished Brass (PB)	Polished Copper (PCU)
Vintage Bronze (VB)	Satin Brass (SB)	Matte Black (MBK)
Satin Gold (SG)	Polished Gold (PG)	Black Nickel (BKN)
White (WH)	Unlacquered Brass (ULB)	Satin Cooper (SCU)
Almond (ALD)	Amber (AMB)	Azure Blue (AZB)
Coral (COR)	Mint Green (GRN)	Stone Grey (GRY)
Lilac (LAC)	Light Blue (LBL)	Limon (LIM)
Plum (PLM)	Pink (PNK)	Red (RED)
Graphite (GPH)	Aged Unlacquered Brass (AUB)	

### SPECIFICATION DRAWING:



### COMPLIANCES:

Complies with: ASME A112.18.2-2015/CSA B125.2-15