

10" ROUND PRO-SPEC[™] VALVE BOXES

Series: Pro-Spec[™] Series

Box Material: HDPE

Cover Material: HDPE

Box Weight: 2.99 lbs

Lid Weight: 1.21 lbs

Total Weight: 4.20 lbs

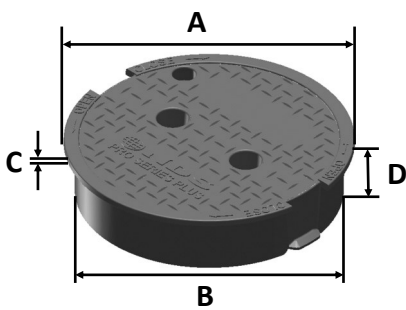
Load rating:

Pedestrian & lawn care equipment

Box includes 3/8"-16 brass nut

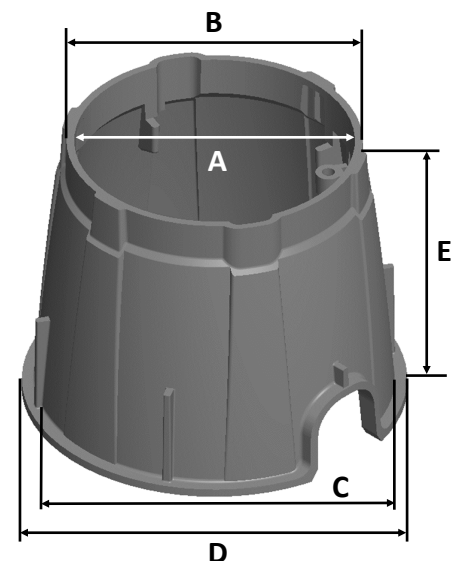
Made in USA

Made from 100% recycled materials



Lid Dimensions	
A. Top diameter	9 3/4"
B. Bottom diameter	9 1/16"
C. Rim thickness	1/4"
D. Overall height	2 3/16"

Box Dimensions	
A. Top inside diameter	9 3/16"
B. Top outside diameter	10 1/4"
C. Bottom inside diameter	11 1/2"
D. Bottom outside diameter	12 3/4"
E. Height	10"



10" ROUND PRO-SPEC™ VALVE BOXES

PART NUMBER	DESCRIPTION	BOX COLOR	COVER COLOR	COVER MARKING
BOX & COVER COMBINATIONS				
311BC	10 1/2" TALL BOX WITH OVERLAPPING COVER	BLACK	GREEN	ICV
311BCB	10 1/2" TALL BOX WITH OVERLAPPING BOLT-DOWN COVER	BLACK	GREEN	ICV
311BCBLK	10 1/2" TALL BOX WITH OVERLAPPING COVER	BLACK	BLACK	ICV
311BCBW	10 1/2" TALL BOX WITH OVERLAPPING BOLT-DOWN COVER	BLACK	GREEN	WATER
311BCR	10 1/2" TALL BOX WITH OVERLAPPING COVER	BLACK	PURPLE	RECLAIMED WATER
311BCS	10 1/2" TALL BOX WITH OVERLAPPING COVER	BLACK	GREEN	SEWER
311BCW	10 1/2" TALL BOX WITH OVERLAPPING COVER	BLACK	GREEN	WATER
312BC	10 1/2" TALL BOX WITH OVERLAPPING COVER	GREEN	GREEN	ICV
312BC ELEC	10 1/2" TALL BOX WITH OVERLAPPING COVER	GRAY	GRAY	ELECTRIC
312BCB	10 1/2" TALL BOX WITH OVERLAPPING BOLT-DOWN COVER	GREEN	GREEN	ICV
312BCB ELEC	10 1/2" TALL BOX WITH OVERLAPPING BOLT-DOWN COVER	GRAY	GRAY	ELECTRIC
312BCBS	10 1/2" TALL BOX WITH OVERLAPPING BOLT-DOWN COVER	GREEN	GREEN	SEWER
312BCRBLK	10 1/2" TALL BOX WITH OVERLAPPING COVER	BLACK	BLACK	RECLAIMED WATER
312BCRG	10 1/2" TALL BOX WITH OVERLAPPING COVER	GREEN	GREEN	RECLAIMED WATER
312BCS	10 1/2" TALL BOX WITH OVERLAPPING COVER	GREEN	GREEN	SEWER
312BCSAND	10 1/2" TALL BOX WITH OVERLAPPING COVER	SAND	SAND	ICV
312BCW	10 1/2" TALL BOX WITH OVERLAPPING COVER	GREEN	GREEN	WATER
312PBCBR	10 1/2" TALL BOX WITH OVERLAPPING BOLT-DOWN COVER	PURPLE	PURPLE	RECLAIMED WATER
312PBCR	10 1/2" TALL BOX WITH OVERLAPPING COVER	PURPLE	PURPLE	RECLAIMED WATER



10" ROUND PRO-SPEC™ VALVE BOXES

PART NUMBER	DESCRIPTION	COVER COLOR	COVER MARKING
COVER ONLY			
311C	OVERLAPPING COVER	GREEN	ICV
311C BLK	OVERLAPPING COVER	BLACK	ICV
311C BRN	OVERLAPPING COVER	BROWN	ICV
311C ELEC	OVERLAPPING COVER	GRAY	ELECTRIC
311CR	OVERLAPPING COVER	PURPLE	RECLAIMED WATER
311CRG	OVERLAPPING COVER	GREEN	RECLAIMED WATER
311CS	OVERLAPPING COVER	GREEN	SEWER
311CSAND	OVERLAPPING COVER	SAND	ICV
311CW	OVERLAPPING COVER	BLACK	WATER
311CW BLK	OVERLAPPING COVER	BLACK	WATER

PART NUMBER	DESCRIPTION	BOX COLOR
BOX ONLY		
311B	10 1/2" TALL BOX	BLACK
312B	10 1/2" TALL BOX	GREEN
312PB	10 1/2" TALL BOX	PURPLE
113BB	2-1/2" X 3/8" STAINLESS STEEL BOLT	STEEL

PHYSICAL PROPERTIES OF HDPE	ASTM TEST METHOD	TEST RANGE
TENSILE STRENGTH YIELD	D-638	3,400—4,400 PSI
FELXURAL MODULUS	D-790	140,000—200,152 psi
COMPRESSIVE STRENGTH	D-695	3,340—4,600 PSI
IMPACT STRENGTH, IZOD	D-256	1.5—15 FT. LBS/IN
DUROMETER HARDNESS, TYPE D	D-2240	63-67
DEFLECTION TEMPERATURE @66PSI STRESS	D-648	150-212°F
SPECIFIC GRAVITY	D-792	0.941—0.965

