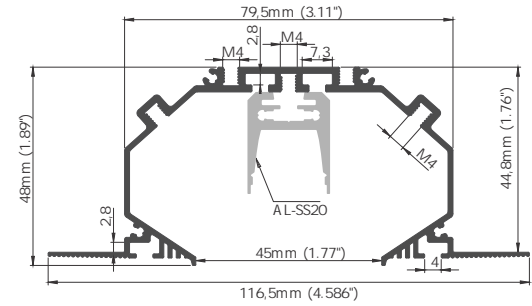


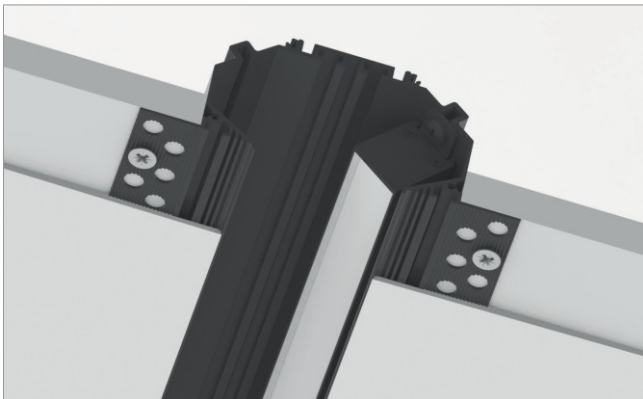
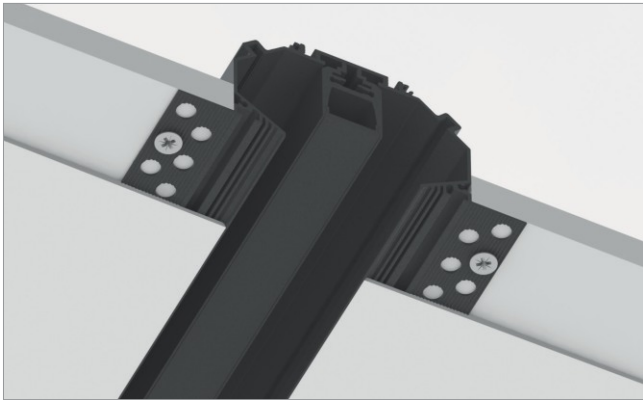


RPL45 US

This solution includes a base which can be used with a suitable profile of your choice, giving you the variety of options and freedom of design. Chasing the market's needs, the anodized black base finish creates depth allowing your elegant line of light to shine. The chosen profile can be easily attached to the base by using M4 standard screws. The profile comes with high-quality anodized black end caps. Installation process is as easy as for other Plaster Board profiles thanks to perforated sides of the extrusion. All above features provide you complex solution that can be modified (attached profile) up to your needs, whenever required



Dimensions in millimeters unless otherwise stated



LED-AL-RPL45 US
 LED-AL-SS20
 LED-AB-SS20



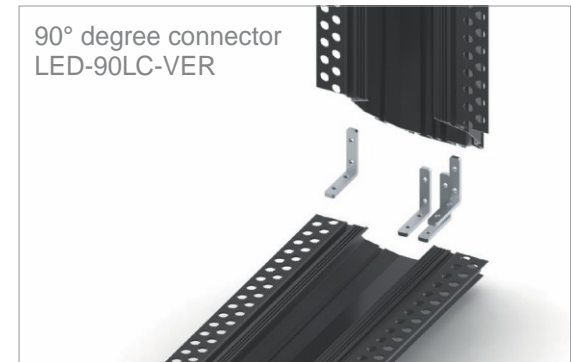
Aluminum end caps
 LED-EC-RPL45 US-H3



Aluminum end caps
 LED-EC-INS-SS20B-H3



Linear Connector
 LED LC-LIN

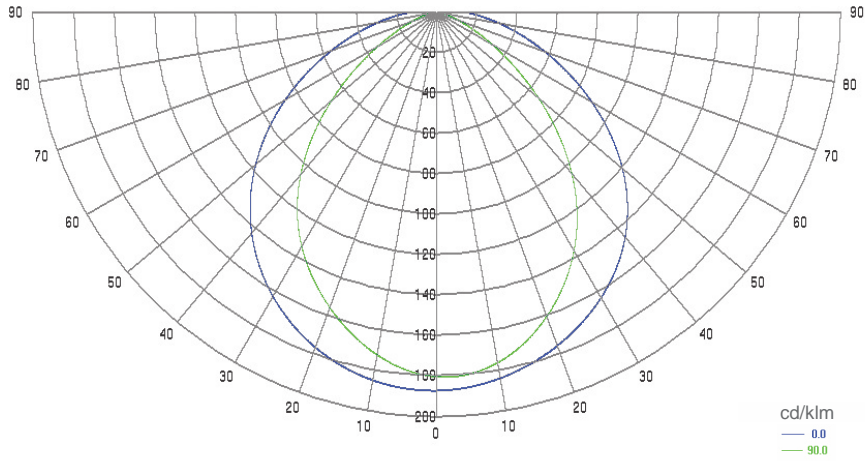


90° degree connector
 LED-90LC-VER

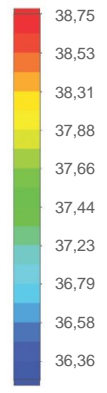
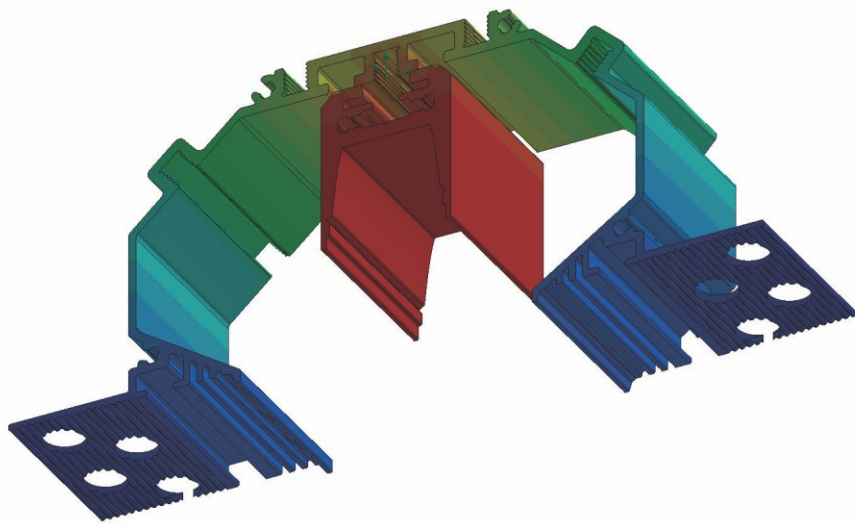
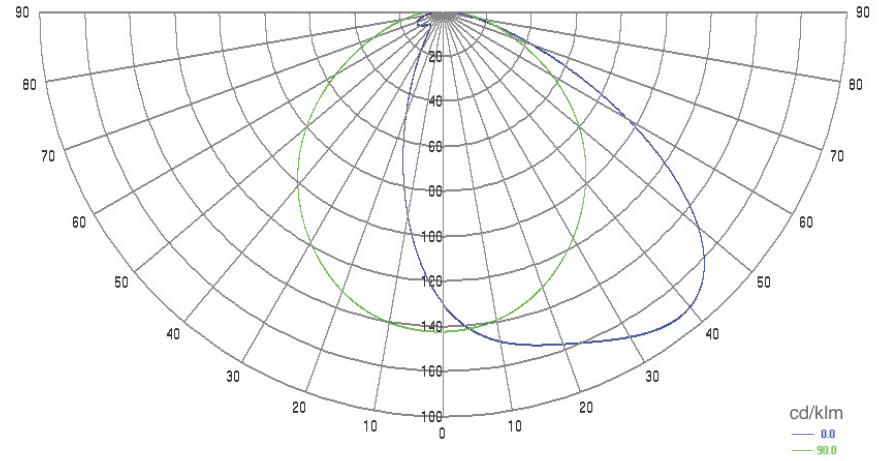
* Parameters tolerance +/- 7%

Polar Candela Distribution Plotting Missed Rays

Light distribution diagram (central mounted profile)



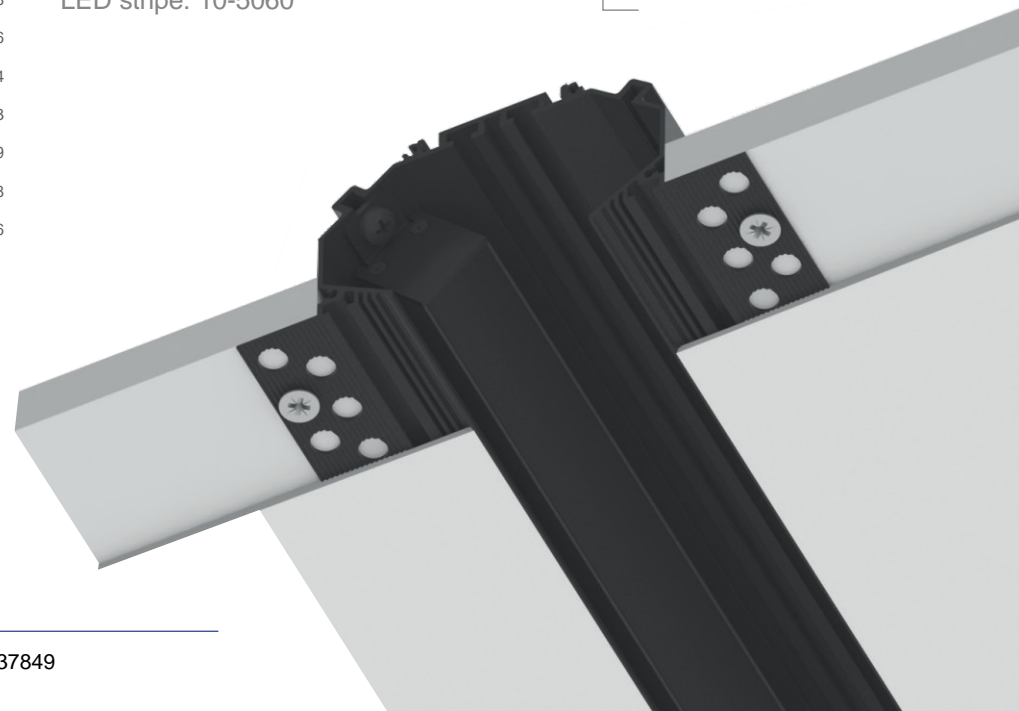
Light distribution diagram (side mounted profile)



Temperature (Solid) [°C]

Temperature ambient: 25°C
 Total power: 21,6W/m (90 LEDs)
 LED stripe: 10-5060

LED-AL-RPL45 US
 LED-AL-INS-SS20B
 LED-AB-SS20B
 LED-EC-INS-SS20B-H3



* Parameters tolerance +/- 7%