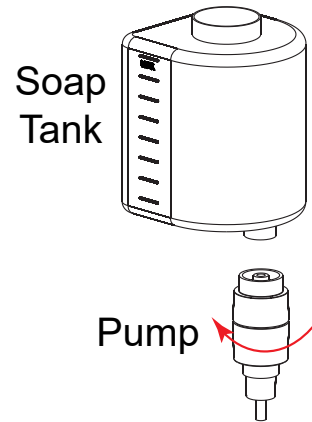
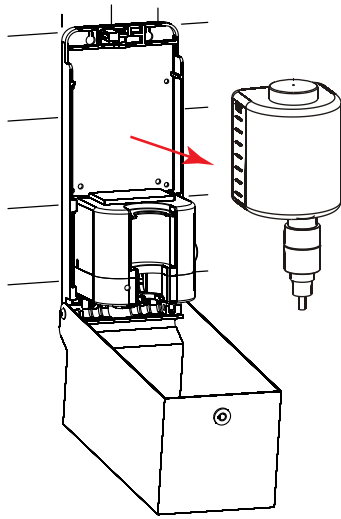


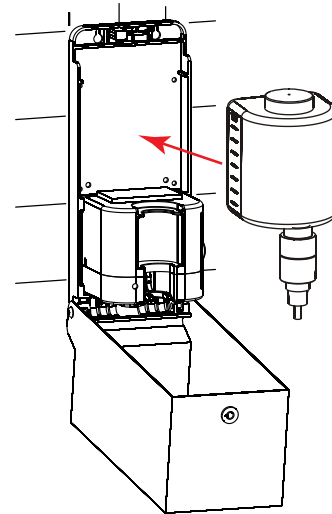
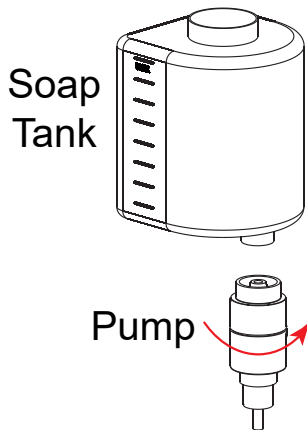
PUMP REPLACEMENT INSTALLATION INSTRUCTIONS

B-2013 AUTOMATIC WALL-MOUNTED FOAM SOAP DISPENSER
2013-25 FOAM AND 2013-25-L LIQUID PUMP



1. Remove soap tank and pump from base plate.

2. Unscrew pump clockwise to remove from soap tank.



3. Screw new pump counter-clockwise onto soap tank.

4. Place soap tank with new pump connected onto base plate.



© 2020 by Bobrick Washroom Equipment, Inc.
2013-69 r08/13/2020

In the U.S.A.: **BOBRICK WASHROOM EQUIPMENT, INC.**
200 Commerce Drive, Clifton Park, New York 12065-1350 Tel: 518.877.7444, FAX: 518.877.5029
6901 Tujunga Avenue, North Hollywood, California 91605-5882 Tel: 818.982.9600, FAX: 818.503.1102

In Canada: **BOBRICK WASHROOM EQUIPMENT COMPANY**
45 Rolark Drive, Scarborough, Ontario M1R 3B1
• Eastern: Tel: 877.423.6555, Fax: 877.423.8555 • Western: Tel: 877.423.6444, Fax: 877.423.8444