

Original - Cast Nickel Brass construction.



A CSW Industrials Company



Original G-O-N

- Solid cast nickel brass 2-piece construction
- Limited Lifetime Warranty
- Timeless architectural style
- Solvent welds directly to drain pipe
- Professional on-site finish
- Multiple sizes
- Anti-theft escutcheon

US Patent No. 7,618,067

Flow with the best.

Only G-O-N brand nozzles can offer installers labor savings, a glue-on downspout finish and the choice of timeless architectural style in both metal and high impact polymer.

High Impact Polymer construction.



Dura G-O-N

- Durable, colorfast, high impact, marine grade polymer
- 10 times the weathering resistance of ABS
- Timeless style with the look of oil rubbed bronze
- Solvent welds directly to drain pipe
- Professional on-site finish
- **Now available in 3", 4" and 6" dia**

G-O-N®

Glue-on nozzle installs directly onto PVC drain pipe.

Code	G-O-N Kit	Qty.
82700	2 in.	1
82703	3 in.	1
82706	4 in.	1
82708	6 in.	1
82710	8 in.	1
82713	10 in.	1
82715	12 in.	1

NEW ▶

Code	Dura G-O-N Kit	Qty.
82763	3 in.	1
82764	4 in.	1
82766	6 in.	1

Code	Bird Screen*	Qty.
82720	2 in.	1
82723	3 in.	1
82725	4 in.	1
82727	6 in.	1
82730	8 in.	1
82733	10 in.	1
82735	12 in.	1

* Fits both G-O-N and Dura G-O-N

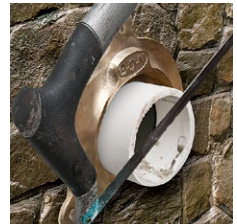
Application • G-O-N provides easier installation of downspout nozzle • PVC insert allows quick gluing.
 • Eliminates the need for coordinating additional site work with masonry or stucco crews.



Caulk wall opening.



Anchor escutcheon.



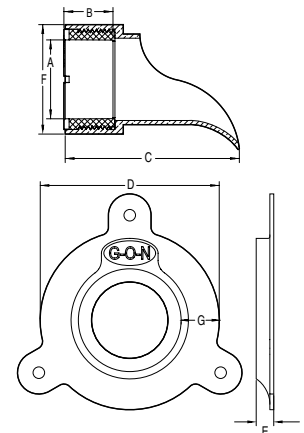
Measure/cut pipe.



Solvent weld nozzle onto pipe and into escutcheon.
 Dura G-O-N requires the mounting notch in the escutcheon and the nozzle be aligned for proper contact.

SPECIFICATIONS

G-O-N	Approx. weight in lbs.	A Inside dia.	B Hub depth	C Nozzle depth	D Escutcheon width	E Escutcheon depth	F Overall dimension	G Escutcheon width
2"	3	2.39"	1.5"	5.25"	5.75"	.50"	3.25"	1.25"
3"	5	3.52"	1.5"	5.37"	7.00"	.57"	4.50"	1.25"
4"	7	4.52"	1.5"	5.37"	8.00"	.57"	5.50"	1.25"
6"	10	6.65"	1.5"	5.62"	10.25"	.57"	7.50"	1.25"
8"	13	8.65"	1.5"	5.62"	12.37"	.57"	10.00"	1.25"
10"	21	10.78"	2.5"	6.50"	14.50"	.57"	12.00"	1.25"
12"	26	12.78"	2.5"	7.50"	16.50"	.50"	14.00"	1.25"



RectorSeal® 2601 Spenwick Drive - Houston, TX 77055 800-231-3345 See the complete G-O-N information

go to rectorseal.com