



4700 W. 160th St.  
 Cleveland, Ohio 44135  
 Ph: (800) 321-9532  
 Fax: (800) 321-9535  
 www.oatey.com

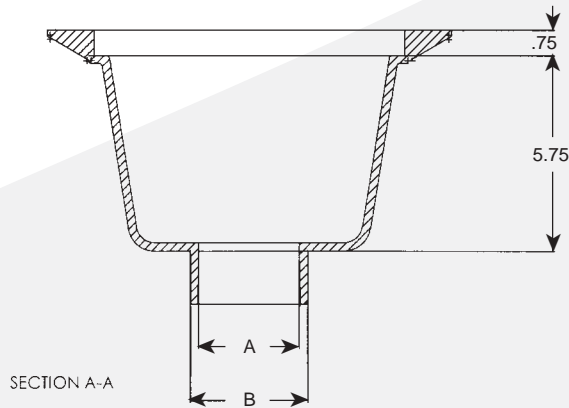
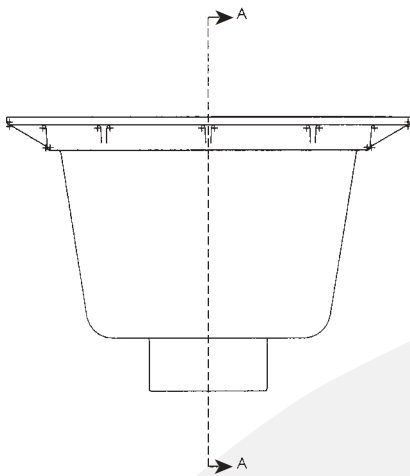
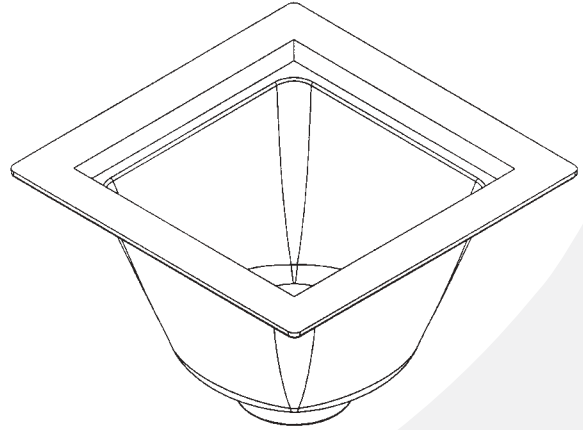
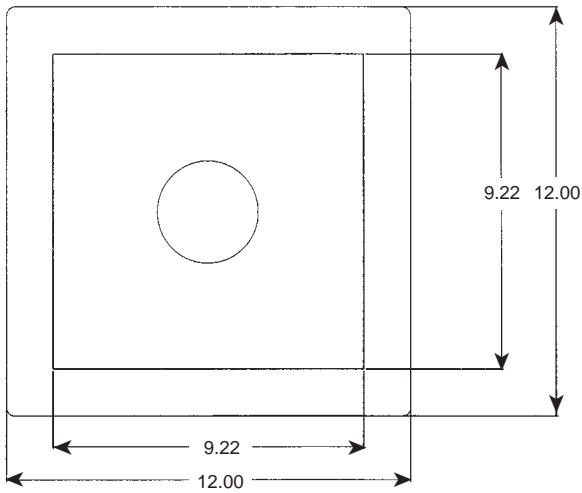
## PVC Floor Sinks



### SUBMITTAL SPECIFICATION

**Engineering Specification:** Oatey Floor Sinks are used for general service drainage in commercial applications for light traffic areas.

Job Reference



(All dimensions in inches)

✓	Socket Size (A)	Socket Size (B)	Base Material	Part Number
	2.00 in.	2.00 in. spigot	PVC	42720
	3.00 in.	3.00 in. spigot	PVC	42721
	4.00 in.	4.00 in. spigot	PVC	42722