

## 108W High Powered LED Worklight - Spot Beam

#QVWL108S

www.qvee.com.au



### DESCRIPTION

The QVEE 108W high powered LED worklight has 12 x 9W Osram LED's, putting out a massive 11,040 lumens.

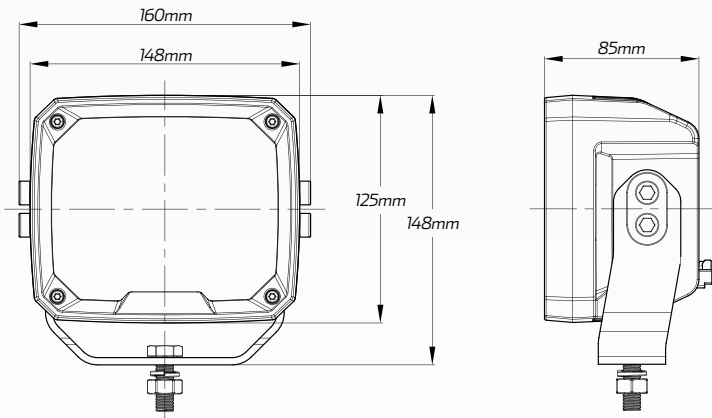
Heavy duty aluminium housing with a unique heatsink construction for heat dispersion, stainless steel mounting bracket and virtually unbreakable polycarbonate lens.

This lamp is built for Australia's harsh mining industry.

### DIMENSIONS

ECE R10

ECE R112



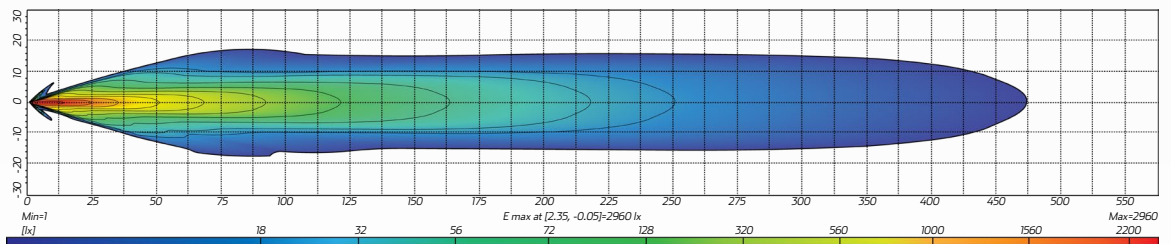
### ACCESSORIES

- Inbuilt DT Deutsch Connector
- Stainless Steel Bracket

SPOT



### BEAM COVERAGE



### TECHNICAL SPECIFICATIONS

<b>Voltage</b>	• 10 - 48 Volt	<b>Colour Temperature</b>	• 5700 K
<b>Wattage</b>	• 108 Watt	<b>Vibration Resistance</b>	• 18G rms 24-2000Hz
<b>IP Rating</b>	• IP67 Rated	<b>Dimensions</b>	• 160mm L x 148mm H x 85mm D
<b>Raw Lumens</b>	• 11,040 Lumens	<b>Beam Coverage</b>	• Spot Beam
<b>Effective Lumens</b>	• 8,050 Lumens	<b>Accessories</b>	• Inbuilt DT Deutsch Connector • Stainless Steel Bracket
<b>LED Count</b>	• 12 x 9W High Powered Osram LED's		