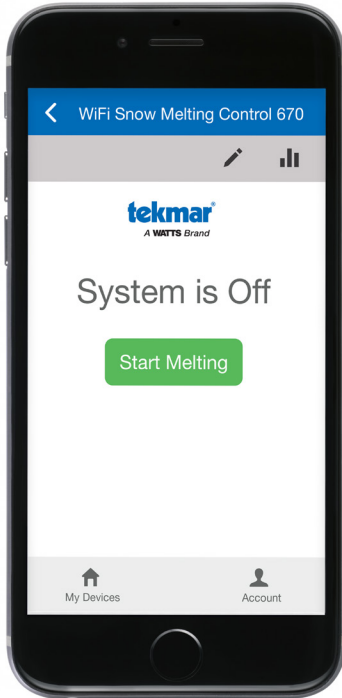


WiFi Snow Melting Control 670



Get Connected

The WiFi Snow Melting Control 670 operates hydronic and electric heating equipment designed to melt snow and/or ice from roads and walkway surfaces. The control works with the tekmar Snow/Ice Sensor 090 or Snow Sensor 095 to automatically detect snow or ice and operates a single boiler, steam valve, or electric cable to supply heat to the slab. Boiler return protection is provided to non-condensing boilers using a mixing valve or variable speed injection mixing pump. The Watts® Home mobile application allows for remote operation and monitoring of the snow melting system from anywhere in the world.

One Snow Melting Control for any Application

- Compatible with modulating, one-stage and two-stage boilers
- Mixing options include floating action, variable speed injection, 0-10 V and 4-20 mA
- Includes tekmarNet® communication for full system integration including options for boiler staging and zoning

Featuring the Best in Snow Melting Control

- Mobile app for iOS and Android
- Automatic software updates
- Automatic snow/ice detection
- Supports both inslab & retrofit aerial sensors (not included)
- Supports multiple zones with priority
- Idling
- Auto Storm
- Warm Weather Shut Down
- Cold Weather Cut Off
- EconoMelt
- Slab Protection
- Tandem Snow/Ice Detection
- Equipment exercising



Works with the
Watts® Home Mobile App

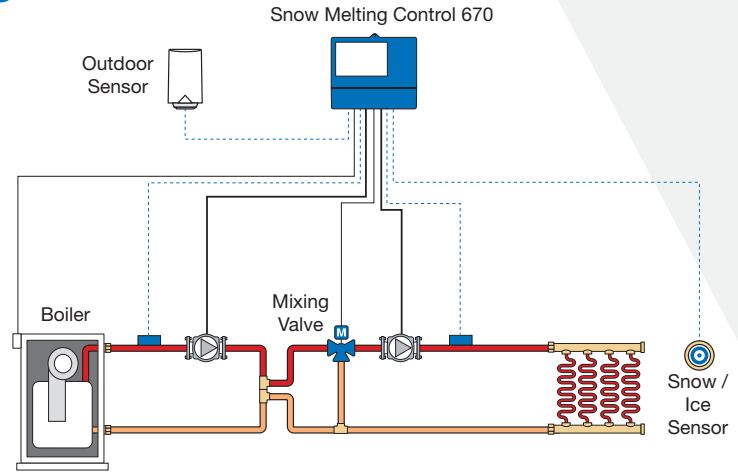


Better Control Better Systems

Sample Application Drawings

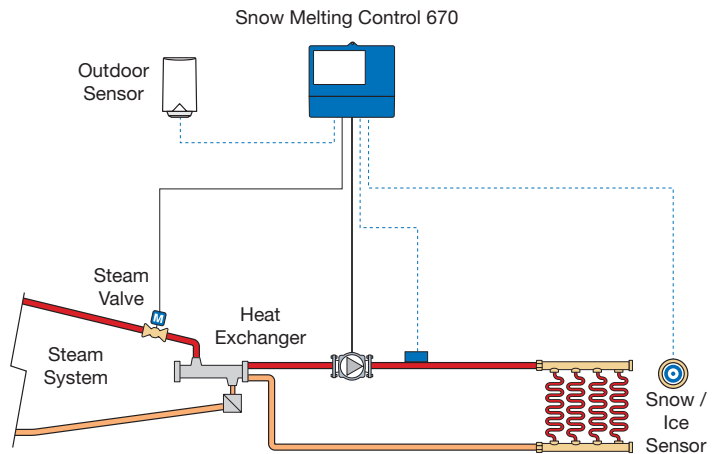
Hydronic Boiler and Mixing

A snow melting system is heated using a hydronic boiler and mixing valve. When snow or ice is detected, the control operates the boiler and mixing valve to heat the slab surface to the melting temperature. The mixing valve protects the boiler from damage caused by cold return temperatures.



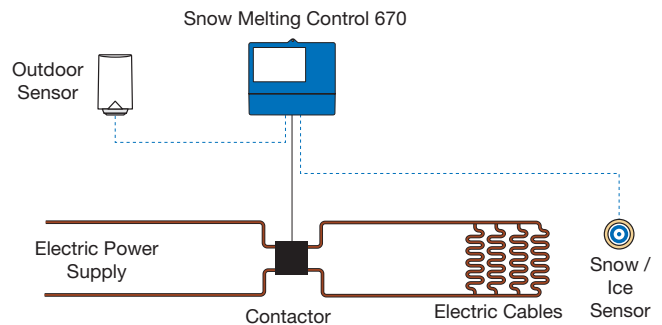
Steam-to-Glycol Heat Exchanger

A snow melting system is heated using a modulating steam valve and steam-to-glycol heat exchanger. When snow or ice is detected, the control modulates the steam valve position to heat the slab surface to the melting temperature.



Electric

A snow melting system is heated using electric cables. When snow or ice is detected, the control activates an electrical contactor, which in turn energizes the electric cables to heat the slab surface to the melting temperature.



Scan to learn more about tekmar
WiFi Snow Melting Control 670



tekmar[®]

A WATTS Brand