

New arrivals, products and more

# PRODUCT CATALOG

2025



# TABLE OF CONTENT

In today's era of continuous digitalization, businesses are integrating advanced technologies at the POS to improve customer experience. With a growing amount of hardware – from digital signage and camera surveillance systems to self-checkouts – the challenge lies in seamless and secure installation. Whether it's optimizing your checkout lanes with innovative self-service kiosks or enhancing security and accessibility, we'll help you mount it all with precision and care.



PAGE 4-7

## POSPOLE RETAIL STANDS

Explore how we've enhanced our flexible mounting system with the launch of our new 3D configurator. Now, finding the perfect solution for your retail application is faster and more efficient than ever.



PAGE 8-9

## POSPOLE KIOSK & SCO

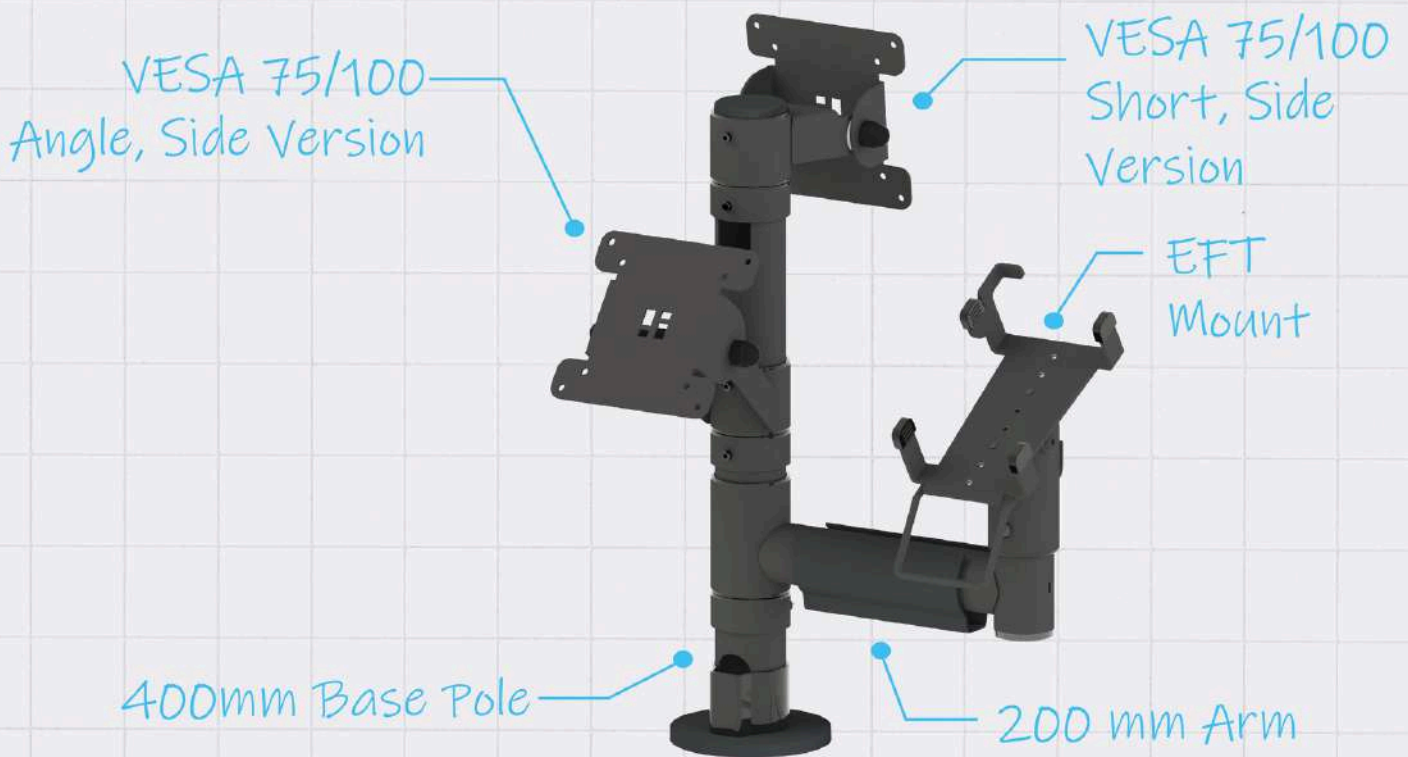
Whether you're in search of a compact info terminal or a fully integrated SCO solution, discover how our adaptable housing solutions offer the perfect balance of cutting-edge performance and cost-efficiency.



PAGE 10-11

## POSPOLE AVM & DIGITAL SIGNAGE

Too big to handle? Not with POSPOLE. Our AVM mounting solutions offer a solid, reliable way to mount large TV screens for digital signage applications.



# POSPOLE RETAIL STANDS

## The ongoing evolution of our bestseller

Our Retail Stands are versatile and adjustable mounting solutions designed for POS equipment such as displays, payment devices, printers, and scanners. Built for flexibility, they feature height adjustability, sturdy construction, and effortless setup. Commonly used in supermarkets and other checkout environments, these stands provide a reliable and customizable way to organize your workspace and most ergonomic.

When we first set out to challenge the market leaders, we asked ourselves: *"How can we improve on an established product and address the gaps our competitors may have overlooked?"*

Eight years later, we're still asking the same question. And the answer remains unchanged – it all begins with our customers.

We asked them:

*"What can we improve to make your life easier?"*

Their response was clear:

*"The choice can be overwhelming. Make it simple!"*

So, we did. Introducing the all-new POSPOLE 3D configurator – a powerful tool that allows our customers and integrators to create real-time solutions with ease.



## STEP 1 - CONFIGURE

Visit [www.pospole.net](http://www.pospole.net) and explore our new 3D configurator. With just a click, you can select pre-set configurations, customize them to fit your needs, or build a solution from scratch. Easily add mounting brackets, arm extensions, accessories for VESA devices, printers, scanners, payment terminals, and more – creating the perfect setup in real time.

## STEP 2 - OVERVIEW

Once your configuration is complete, you'll have the following options available:

1. Save & Revisit – Secure your unique session ID to return and make changes anytime.
2. Download as PDF – Get a detailed overview of all selected components in a convenient PDF format.
3. Request a Quote – Submit your configuration for a personalized quotation.



## STEP 3 - AR FEATURE

The configurator also lets you generate a QR code to view your stand in augmented reality. Simply scan the code with any AR-ready device – most modern smartphones are compatible.

Your web browser will open the 3D model, and with a tap on "View in Your Space," you can see it through your camera in your environment. No app required.

# BEST CHOICE AND PRE-SETS



With countless mounting brackets available, choosing the right ones can be overwhelming. That's why we offer POSPOLE BEST CHOICE – a carefully selected range of in-stock parts for our partners and customers, ensuring simplicity and fast delivery.

Our pre-set configurations provide out-of-the-box solutions for the most common applications. Designed to be easily expandable with essential components, they're the perfect choice for resellers and distributors looking for efficiency and convenience.



## PRE-SET PRS01

Base pole B45, 400mm, VESA 75/100, angled version, adjustable height/angle. Incl. bottom cover, cable clip, self-cutting screws, mounting screws.  
Color: Jet black [RAL9005]



## PRE-SET EFTS01

Base pole B38, 120mm, with POSPOLE metal hinge, and terminal plate different devices. Incl. glue pad, bottom cover and self-cutting screws.  
Color: Jet black [RAL9005]



## PRE-SET PRS02

Base pole B45, 300mm, VESA 75/100, top version, adjustable. Incl. bottom cover, cable clip, self-cutting screws, mounting screws.  
Color: Jet black [RAL9005]



## PRE-SET PRS03

Base pole B45, 400mm, VESA 75/100, dual back-to-back version, adjustable. Incl. bottom cover, cable clip, self-cutting screws, mounting screws.  
Color: Jet black [RAL9005]



## PRE-SET PRS04

Base pole B45, 400mm, Arm 200mm, with VESA 75/100, adjustable. Incl. bottom cover, cable clip, self-cutting screws, mounting screws.  
Color: Jet black [RAL9005]



## PRE-SET PRS06

Base pole B45, 400mm, dual-arm 2x 200mm, with VESA 75/100, adjustable. Incl. bottom cover, cable clip, self-cutting screws, mounting screws.  
Color: Jet black [RAL9005]

# POSPOLE KIOSK & SCO

## Flexible, Modular, and Built to Fit Your Needs

At POSPOLE, we believe in flexibility and adaptability. That's why we designed our kiosk solutions to seamlessly integrate with your existing hardware, ensuring a perfect fit for your environment – not the other way around.

With the launch of our KS01 product line, we introduced a build-to-order system that gives you complete control over your kiosk setup. Our modular approach allows you to combine mounting brackets for displays or tablets in various sizes, along with peripherals like printers, scanners, and payment devices.

Whether you need a freestanding kiosk, a wall-mounted unit, or a counter-based solution, our components can be adjusted to meet your exact specifications.

Not the right shape, size, or form? We offer tailor-made kiosk solutions for project needs. Our experts are ready to consult, whether you need an info terminal, self-checkout (SCO), or a fully customized setup – POSPOLE has you covered.



### WALL MOUNT KIOSK

Example of a wall mounted kiosk featuring an integrated printer, scanner, and tablet mount, with support for a variety of leading hardware brands.

Color: Jet black [RAL9005]



### DESK STAND KIOSK

Example of a desk mounted kiosk featuring an integrated printer, scanner, and tablet mount, with support for a variety of leading hardware brands.

Color: Jet black [RAL9005]



### FLOOR STAND KIOSK

Example of a floorstand kiosk featuring an integrated printer, scanner, and tablet mount, with support for a variety of leading hardware brands.

Color: Jet black [RAL9005]

# KS01 - Build to Flex

Looking for a flexible kiosk with no MOQ? The POSPOLE KS01 is designed to meet your needs. This slim, modular system adapts to your requirements, letting you build the perfect kiosk with ease. Select different modules depending on the hardware you want to use.

## Core Frame

Start by choosing from different core frames, each providing a solid foundation for your kiosk setup. Your choice influences not only the look and feel but also key specifications like the viewing angle of the mounted display or tablet. From there, you can easily add brackets and accessories to customize your solution.

## VESA & Tablet

The top section supports various VESA brackets for screens, available in both vertical and horizontal orientations. While the default version fits most setups, custom options ensure a perfect match for your screen, enhancing integration. Alternatively, pair it with our TAV VESA tablet frames to house any tablet, leaving only the screen visible for a seamless look.

## Printer & Scanner

For printers and scanners, we offer hardware trays mounted inside the core frame, paired with a custom front door featuring precise cutouts for essential functions. We support leading brands like EPSON, Bixolon, Seiko, HPRT, and more. If your device isn't listed, we can create a custom tray to ensure seamless integration.

## Payment & Peripherals

Other peripherals, like payment mounts or pistol-grip scanners, can be attached using extension arms available in various lengths and shapes. When not in use, these mounting points remain discreetly hidden. For the payment terminals, you can use our selection of holders from the POSPOLE retail stands.

## Floorstand, Desk & Wallmount

At the bottom of the core frame, you'll find mounting points for attaching a floor stand, desk plate, or wall mount bracket, giving you flexible installation options.







# POSPOLE AVM & DIGITAL SIGNAGE

## No Compromise, No Games, Build for Precision

With the continuous digitalization, businesses are integrating an ever-increasing amount of screens to display informative or interactive content. POSPOLE AVMs (Audio Visual Mounts) enable you to mount them with precision and care, providing secure and flexible solutions for all your display needs. We offer rail mounting solutions to align multiple TV screens at the perfect height, ensuring optimal visibility for your audience. Additionally, we provide custom enclosures designed for full protection of your equipment, safeguarding screens from environmental factors, tampering, or accidental damage.

These solutions are most commonly used in high-traffic areas such as shopping windows, digital signage, or to display menus at fast food restaurants, where clear visibility and durability are crucial. Our mounting solutions are also ideal for various other applications, including digital advertising, public information displays, and interactive kiosks. With our expertise and custom solutions, we ensure that your screens are securely installed, enhance the customer experience, and last for years.



# EXAMPLE CONFIGURATIONS



## SINGLE WALL-RAIL

Wallmount AVM, VESA 100/200, adjustable angle and position, w/o mounting screws and tools.

Color: Jet black [RAL9005]



## DUAL CEILING-RAIL

Dual AVM ceiling, adjustable base pole, 670mm - 980mm, VESA 100/200, adjustable angle and position, w/o mounting screws and tools.

Color: Jet black [RAL9005]

## More than one way

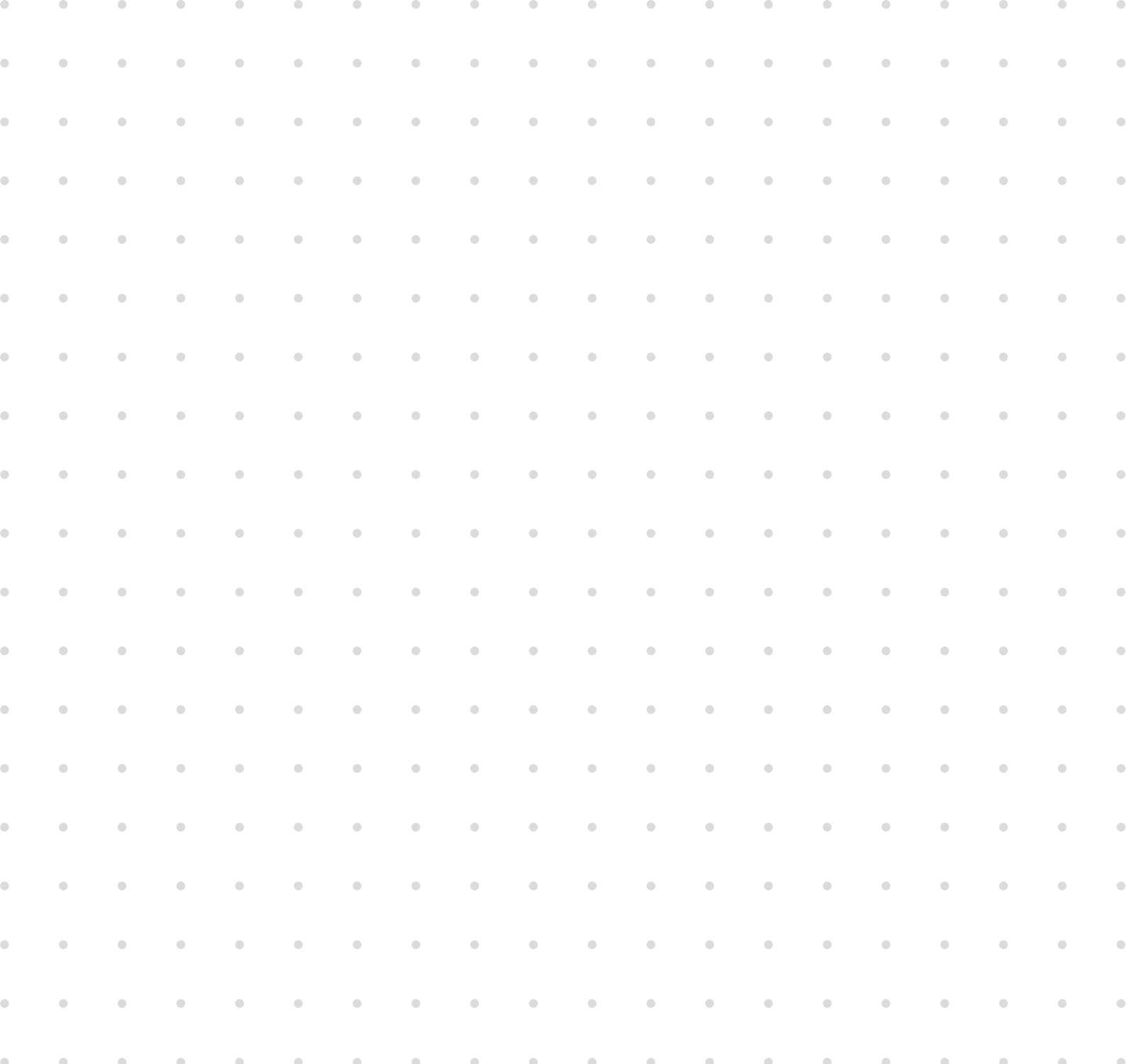
The solutions displayed are just a few examples of what is possible. We can adapt and modify almost any aspect of our products to meet your specific needs. Consult with our expert today to request your custom solution and bring your vision to life.



## 55" TV FLOORSTAND

AVM for 55" digital signage screen like Samsung QH55C, VESA 200, floor stand, full metal frame with floorstand, customizable for other sizes.

Color: Jet black [RAL9005]



# CATALOG

YEAR 2025



**POSPOLE**  
WWW.POSPOLE.NET

**CONTACT US**

[www.pospole.net](http://www.pospole.net)

+49 7154 1558391

[info@pospole.net](mailto:info@pospole.net)