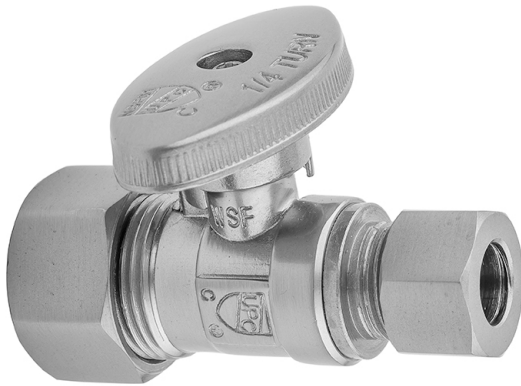


Quarter Turn Straight Pattern 5/8" O.D. Compression (Fits 1/2" Copper) x 3/8" O.D. Supply Valve with Oval Handle



Model #: 622-8-



FEATURES:

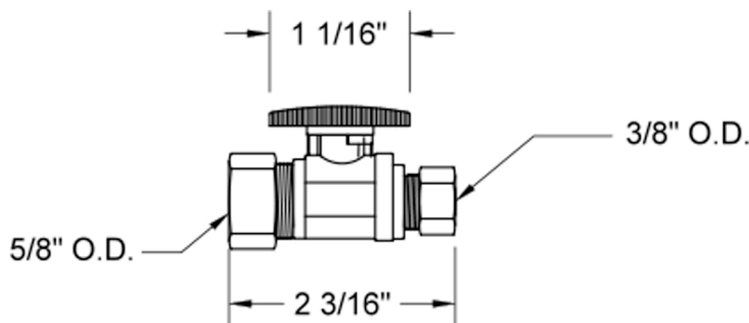
- Straight pattern O.D. compression fit x O.D. compression fit quarter turn ball valve
- 5/8" O.D. compression inlet x 3/8" or 1/2" O.D. compression outlet
- 5/8" O.D. compression fit 1/2" copper tubing
- White porcelain button available-"H", "C" & plain for standard cross handle only. Specify when ordering
- All brass, fully finished

For additional cover tubes & escutcheons see 6007, 6015 or Sure Grip escutcheons & accessories section

AVAILABLE FINISHES:

| | | |
|------------------------------|---------------------|-----------------------|
| Polished Chrome (PCH) | Satin Chrome (SC) | Bronze Umber (BU) |
| Satin Nickel (SN) | Pewter (PEW) | Caramel Bronze (CB) |
| Polished Nickel (PN) | Antique Brass (AB) | Antique Copper (ACU) |
| Oil-Rubbed Bronze (ORB) | Polished Brass (PB) | Polished Copper (PCU) |
| Vintage Bronze (VB) | Satin Brass (SB) | Matte Black (MBK) |
| Satin Gold (SG) | Polished Gold (PG) | Black Nickel (BKN) |
| White (WH) | Satin Cooper (SCU) | Almond (ALD) |
| Amber (AMB) | Azure Blue (AZB) | Coral (COR) |
| Mint Green (GRN) | Stone Grey (GRY) | Lilac (LAC) |
| Light Blue (LBL) | Limon (LIM) | Plum (PLM) |
| Pink (PNK) | Red (RED) | Graphite (GPH) |
| Aged Unlacquered Brass (AUB) | | |

SPECIFICATION DRAWING:



AVAILABLE HANDLES:



COMPLIANCES:

Complies with: ASME A112.18.1-2012/CSA B125.1-12