

Feature

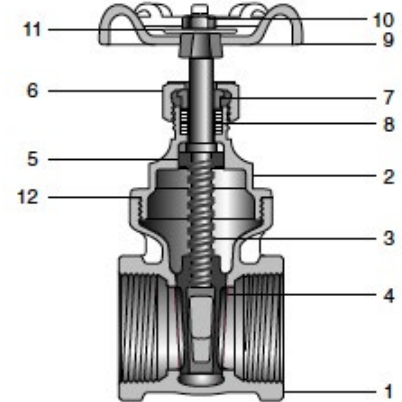
- 200# WOG
- Lead free brass body
- FNPT x FNPT
- Threaded ends (ASME B1.20.1-NPT)
- Screw in bonnet
- Non-rising stem
- Solid disc
- AB1953, NSF/ANSI 61 & 372 certified



Pressure/ Temperature rating	
200# WOG	max. at 212 °F

Material

	Part	Material	Specification
1	Body	Lead Free Brass	ASTM B927 C28500
2	Bonnet	Lead Free Brass	ASTM B927 C28500
3	Stem	Lead Free Brass	ASTM B927 C28500
4	Disc	Lead Free Brass	ASTM B927 C28500
5	Lock nut	Lead Free Brass	ASTM B927 C28500
6	Grand nut	Brass	ASTM B124
7	Gland	Brass	ASTM B124
8	Packing	PTFE	-
9	Handwheel	Aluminum	-
10	Nut	Steel	A36
11	Tag	Aluminum	-
12	Gasket	PTFE	-



Dimension, Weight

Size	T	D [in]	H [in]	L [in]	Wt. [lb]
1/2"	1/2 - 14 NPT	1.78	2.75	1.67	0.46
3/4"	3/4 - 14 NPT	1.78	3.18	1.77	0.62
1"	1 - 11.5 NPT	2.05	3.50	2.03	0.84
1 1/4"	1 1/4 - 11.5 NPT	2.38	4.35	2.25	1.44
1 1/2"	1 1/2 - 11.5 NPT	2.38	4.75	2.37	1.74
2"	2 - 11.5 NPT	3.12	5.60	2.60	2.70

