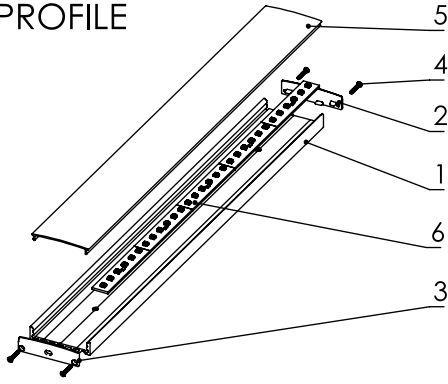


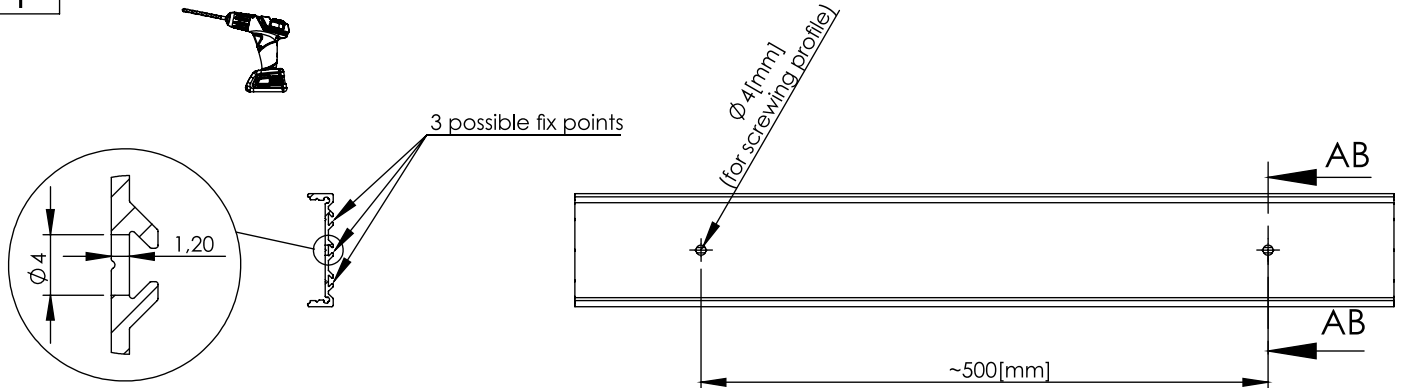
Instruction for mounting

SLW10 LED PROFILE



Nr	Code	Comments	Quantity
1	LED-AL-SLW10	1 or 2[m]	1
2	LED-EC-SLW10-H1	end cap	1 per 1 luminaire
3	LED-EC-SLW10-H2	end cap with hole for power cable	1 per 1 luminaire
4	DIN 7982 ST2.2x13		2 per 1 end cap
5	LED-AB-SLW10-K/M/50M	1 or 2[m]	
6	LEDS	2 or 3 stripes	

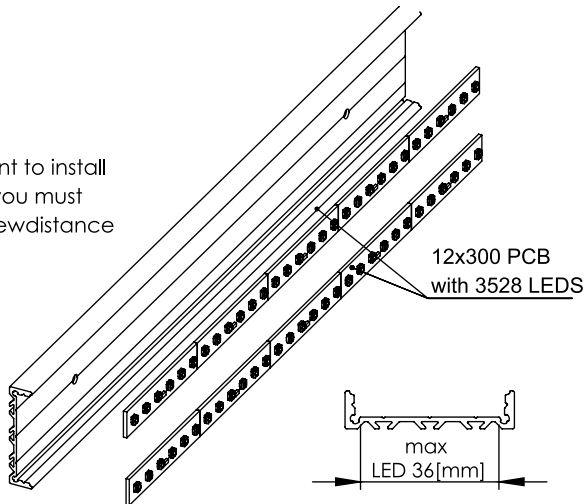
1



2

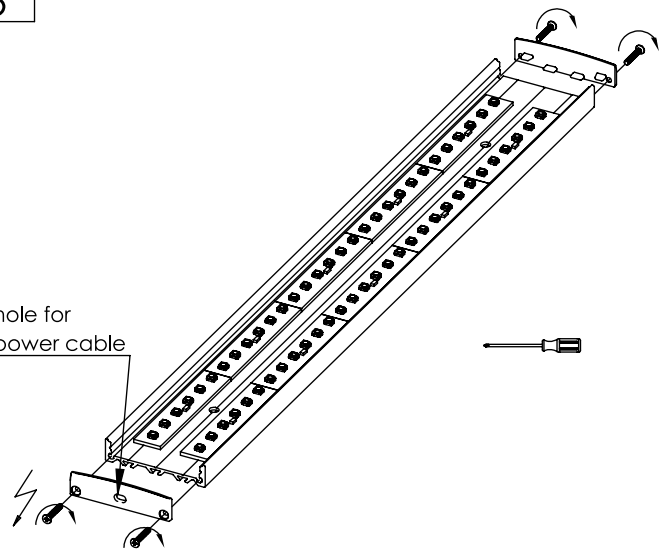
Use thermally conductive tape

If you want to install 3 stripes you must to do screwdistance

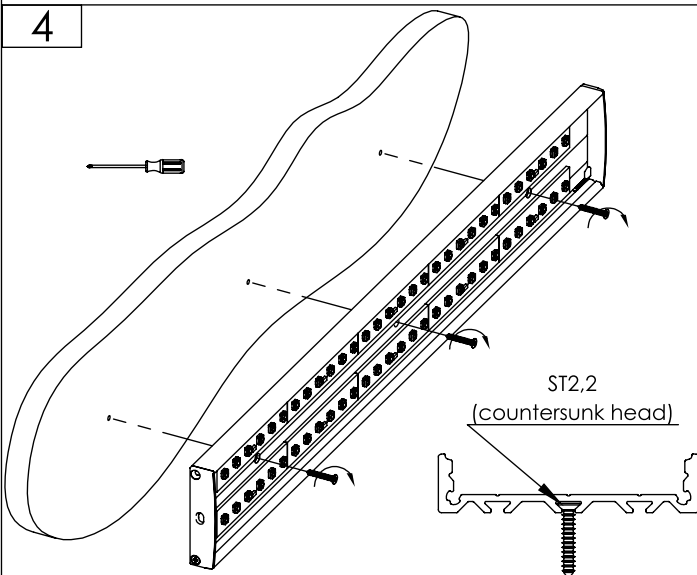


3

hole for power cable



4



5

