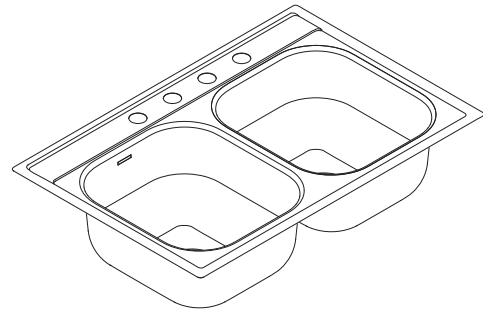


Model Number	Faucet Holes	Depth-Inches	Drain Placement	ADA/FHA Compliant*
G202153BQ	3	7"	Rear	FHA
G202154BQ	4	7"	Rear	FHA
G202131Q	1	8"	Center	No
G202133Q (pictured)	3	8"	Center	No
G202134Q	4	8"	Center	No
G202134BQ	4	8"	Rear	No
G202334Q	4	L: 9", R: 7"	Center	No
G202173BQ	3	5-1/2"	Rear	ADA/FHA
G202174BQ	4	5-1/2"	Rear	ADA/FHA



SINK DESCRIPTION

- 2000 Series single bowl drop-in sink
- 20 gauge stainless steel, matte bowl finish
- U-channel mounting system, hardware included
- QuickMount™ installation included
- SoundSHIELD™ sound absorbing system

WARRANTY

- Lifetime limited warranty to the original homeowner
- 10 year limited warranty when used in a Multi-family installation
- 5 year limited warranty when used in a Commercial installation
- Visit www.moen.com/customer-support/warranty for complete details and limitations

SINK DIMENSIONS

- Overall: 33" x 22"
- Left Bowl: 14" x 16"
- Right Bowl: 14" x 16"
- Drain Size: 3-5/8"

- Faucet Holes
 - 1-1/2" (38mm) diameter
 - 4" (102mm) center

CUT OUT DIMENSIONS

- 32-1/2" x 21-1/2" with 11/16" corner radius, tolerance of plus or minus 1/16" is acceptable

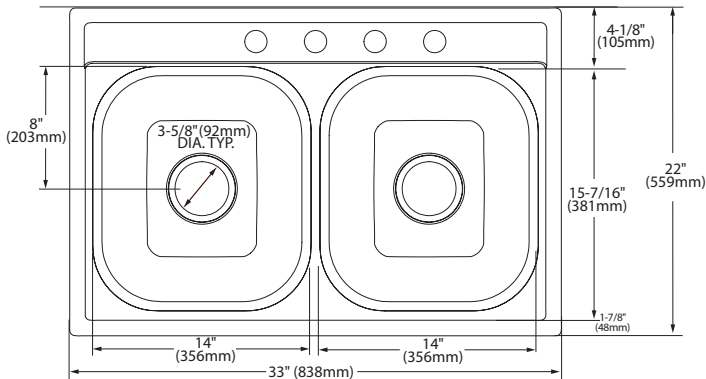
STANDARDS

- Third party certified to meet ASME A112.19.3/CSA B45.4 and all applicable specifications referenced therein
- ***ADA/FHA** Sink compliant to ADA (ICC A117.1) and FHA accessibility specifications when installed to these required standards. Always consult with your local building department for the specific installation requirements.
- ***FHA** Sink compliant to FHA accessibility specifications when installed to these required standards. Always consult with your local building department for the specific installation requirements.

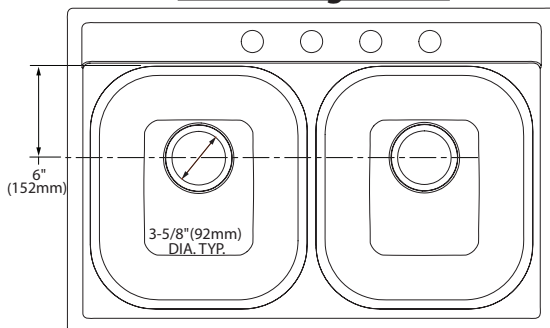
CRITICAL DIMENSIONS

(DO NOT SCALE)

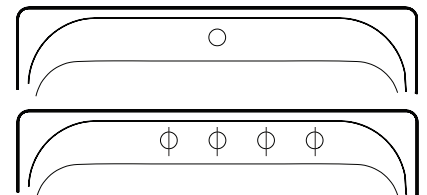
Center Configuration



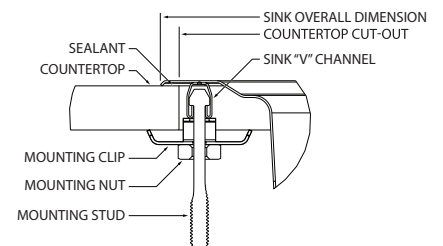
Rear Configuration



Faucet Hole Configurations



Installation Detail



MADE IN THE **USA**