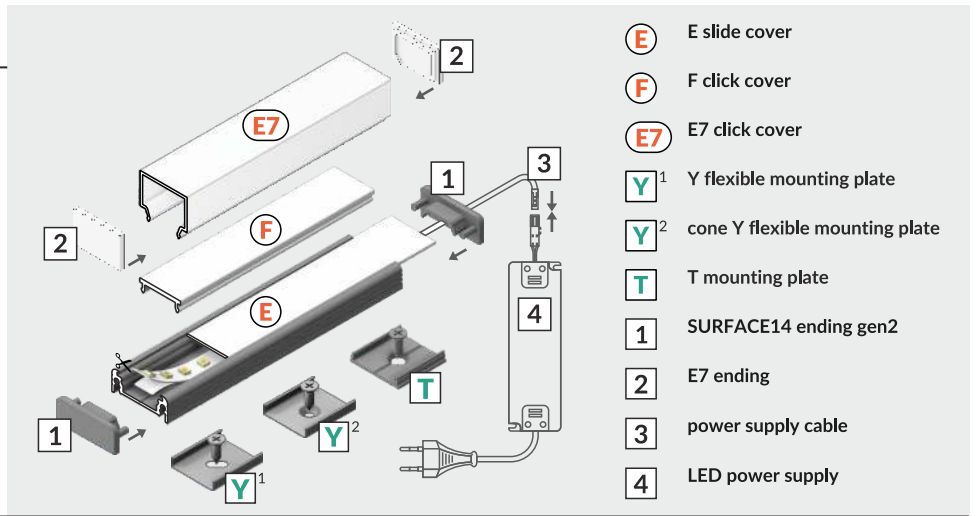
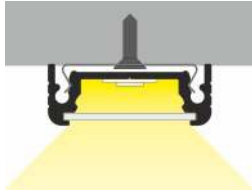
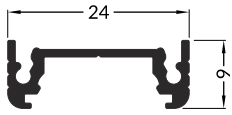
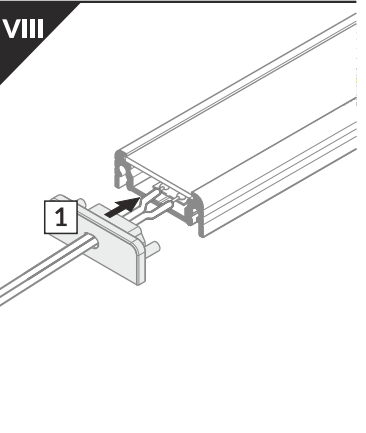
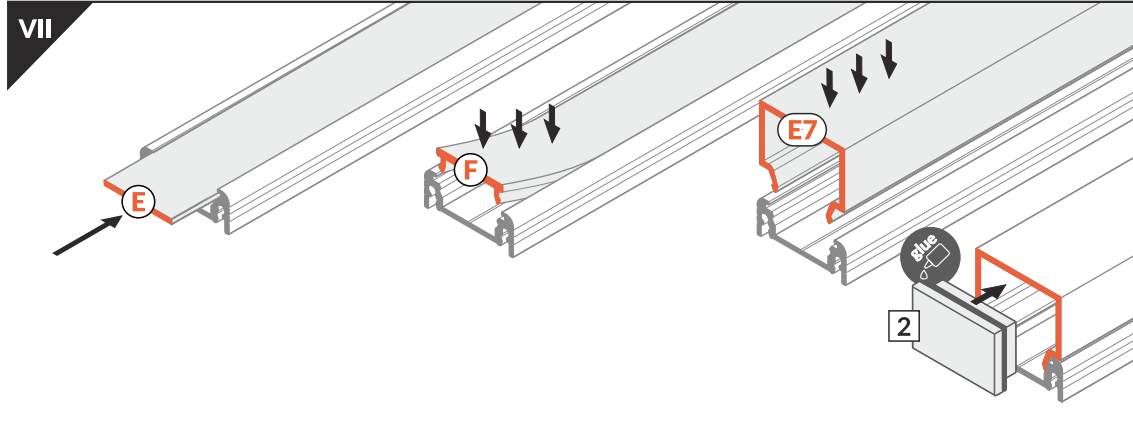
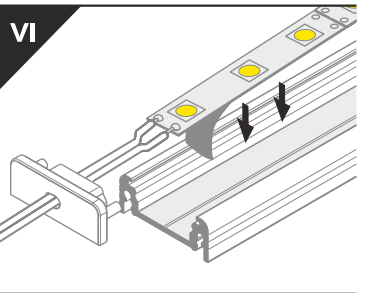
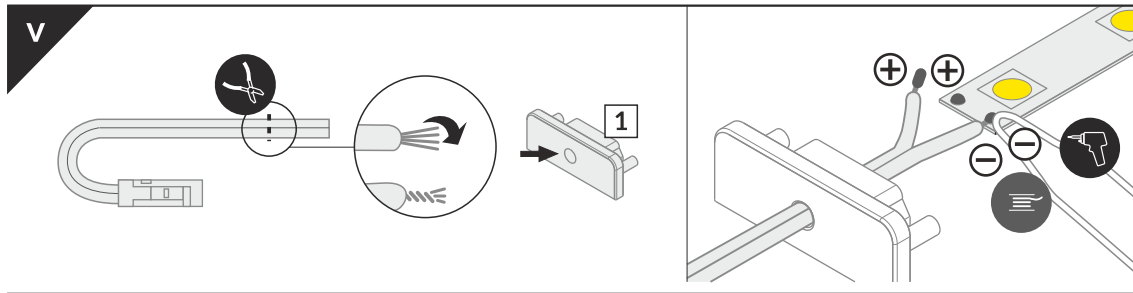
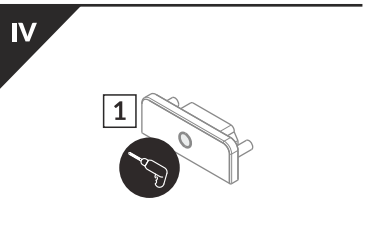
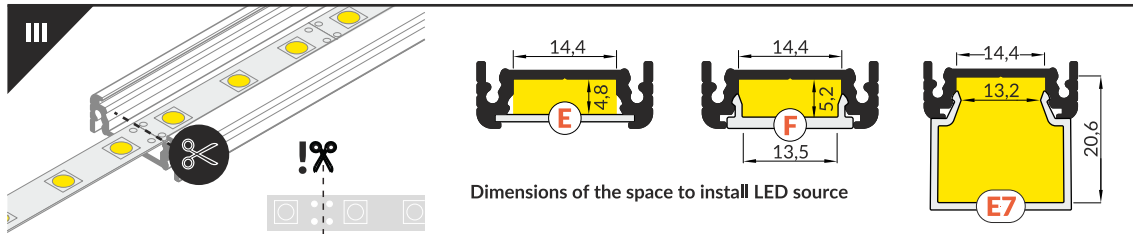
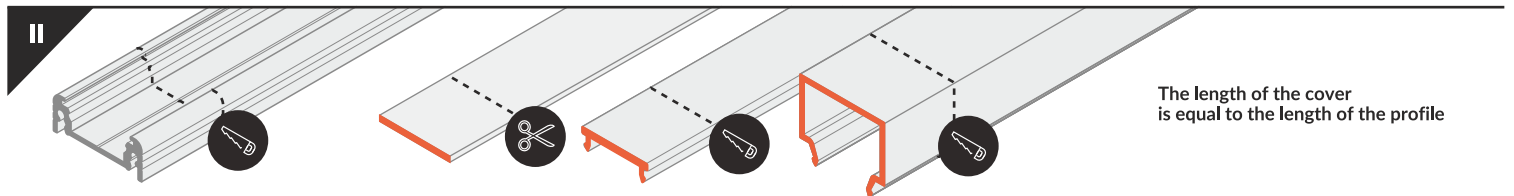
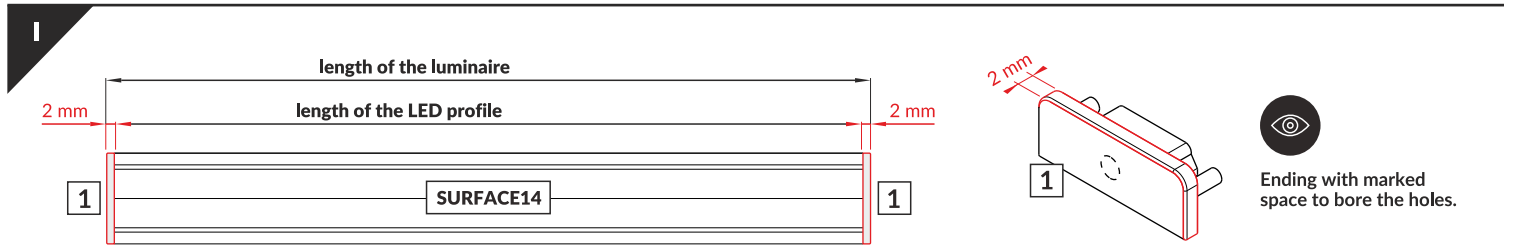
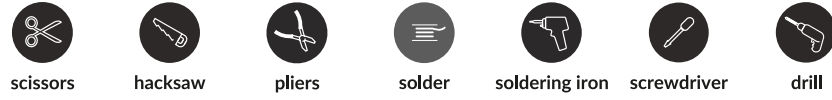


SURFACE14 EF/TY

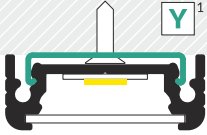
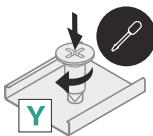
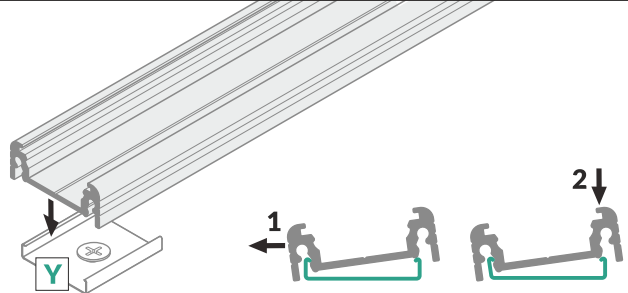
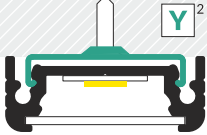
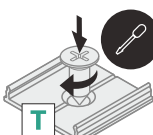
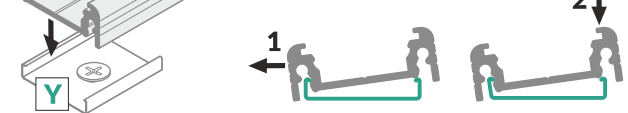
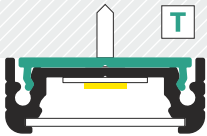
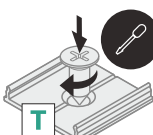
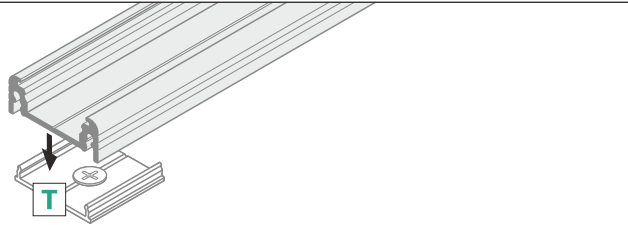
SURFACE PROFILE



- E** E slide cover
- F** F click cover
- E7** E7 click cover
- Y¹** Y flexible mounting plate
- Y²** cone Y flexible mounting plate
- T** T mounting plate
- 1** SURFACE14 ending gen2
- 2** E7 ending
- 3** power supply cable
- 4** LED power supply



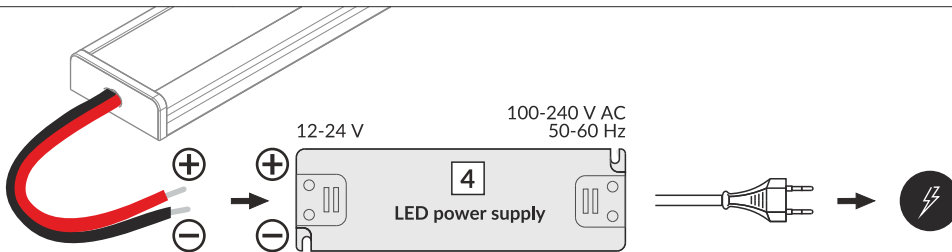
IX MOUNTING

<p>Y flexible mounting plate</p>			
<p>cone Y flexible mounting plate</p>			
<p>T mounting plate</p>			



Other mounting possibilities: with mounting glue or mounting tape, with screws

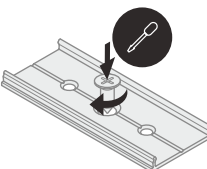
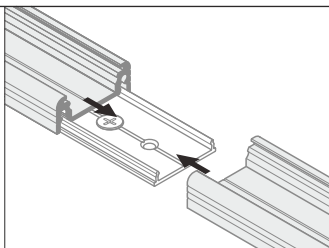

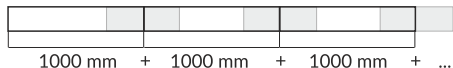
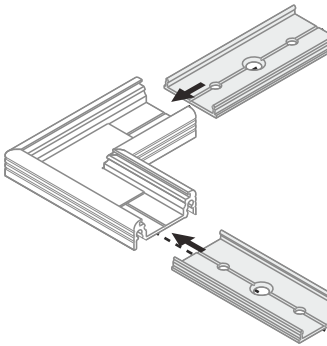
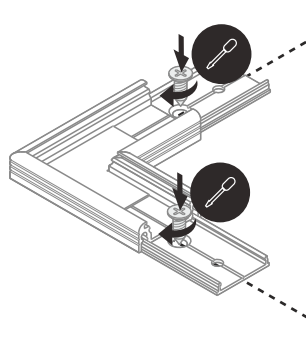
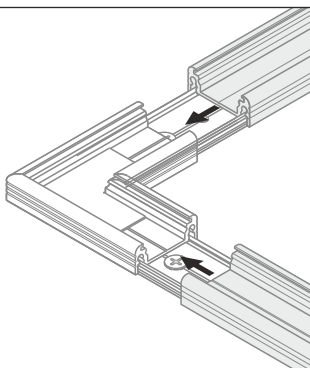






X POWER SUPPLY



OPTIONAL ACCESSORIES



Mount the connector before installing the LED strip. In case there is no possibility of sliding the profile into connector it is recommended to mount with screws directly to the mounting surface.

<p>T connector 180 deg</p>			<p> T connector may be used to make extra long profiles by connecting multiple profiles.</p> 
<p>SURFACE14 connector 90 deg</p>			 <ul style="list-style-type: none">   90°   45°   45°

ACCESSORIES

power switches
controller + remote
movement sensors



* Parameters tolerance +/- 7%