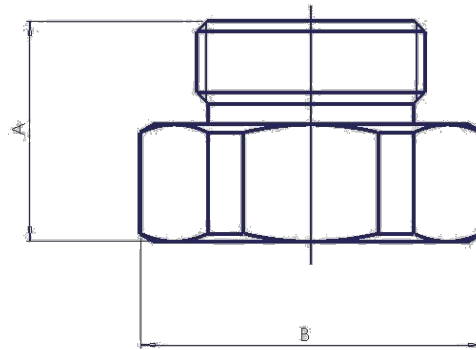


PRODUCT SUBMITTAL 222

Product: PRO-BALANCE[®] Brass Manifold Adapter Fitting
Date: 01 August 2018 (supersedes 06 October 2010)



Article No.	Description	A in (mm)	B in (mm)
298986-001	1 1/4" BSPP Female x 1" Male BSPP Adapter	1.25 (32)	1.97 (50)

TECHNICAL DESCRIPTION

Material	Brass
----------	-------

FUNCTIONAL DESCRIPTION

For use with PRO-BALANCE 1 1/4" brass manifolds to transition 1 1/4" BSPP female x 1" BSPP male in order to use air vent boiler drain combination set (Art. 250226). Includes 1 1/4" gasket.

Note: Transition piece (Art. 298986-001) in combination with 1" BSPP Air Vent/Boiler Drain Combination Set (Art. 250226) replaces 1 1/4" Air/Vent Fill Port Combination set. (Art. 281941-001).

For updates to this publication, visit na.rehau.com/resourcecenter

The information contained herein is believed to be reliable, but no representations, guarantees or warranties of any kind are made as to its accuracy, suitability for particular applications or the results to be obtained therefrom. Before using, the user will determine suitability of the information for user's intended use and shall assume all risk and liability in connection therewith. © 2018 REHAU