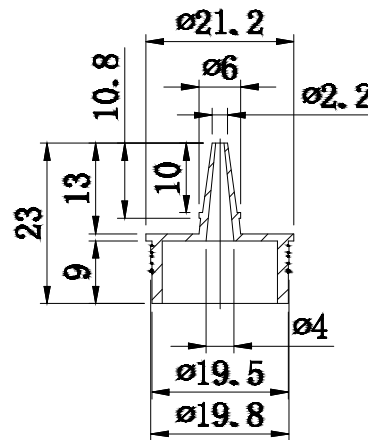
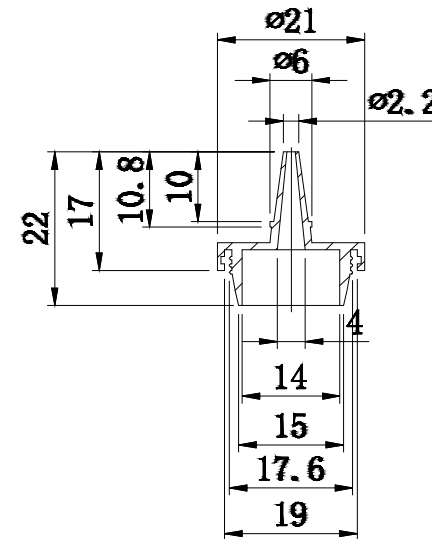


The technical requirements
 Unmarked tolerance by
 GB/T1804-M
 Unmarked shape chamfer by
 0.5*45°
 Unmarked rounding by R0.5



The technical requirements
 Unmarked tolerance by
 GB/T1804-M
 Unmarked shape chamfer by
 0.5*45°
 Unmarked rounding by R0.5



other

Nominal Capacity	Drawn	Date		Drawing Name	60ml snaplock lip btl	Scale
O.F. Capacity	Checked	Date		Material		
Weight	Approved	Date			Glopak USA	