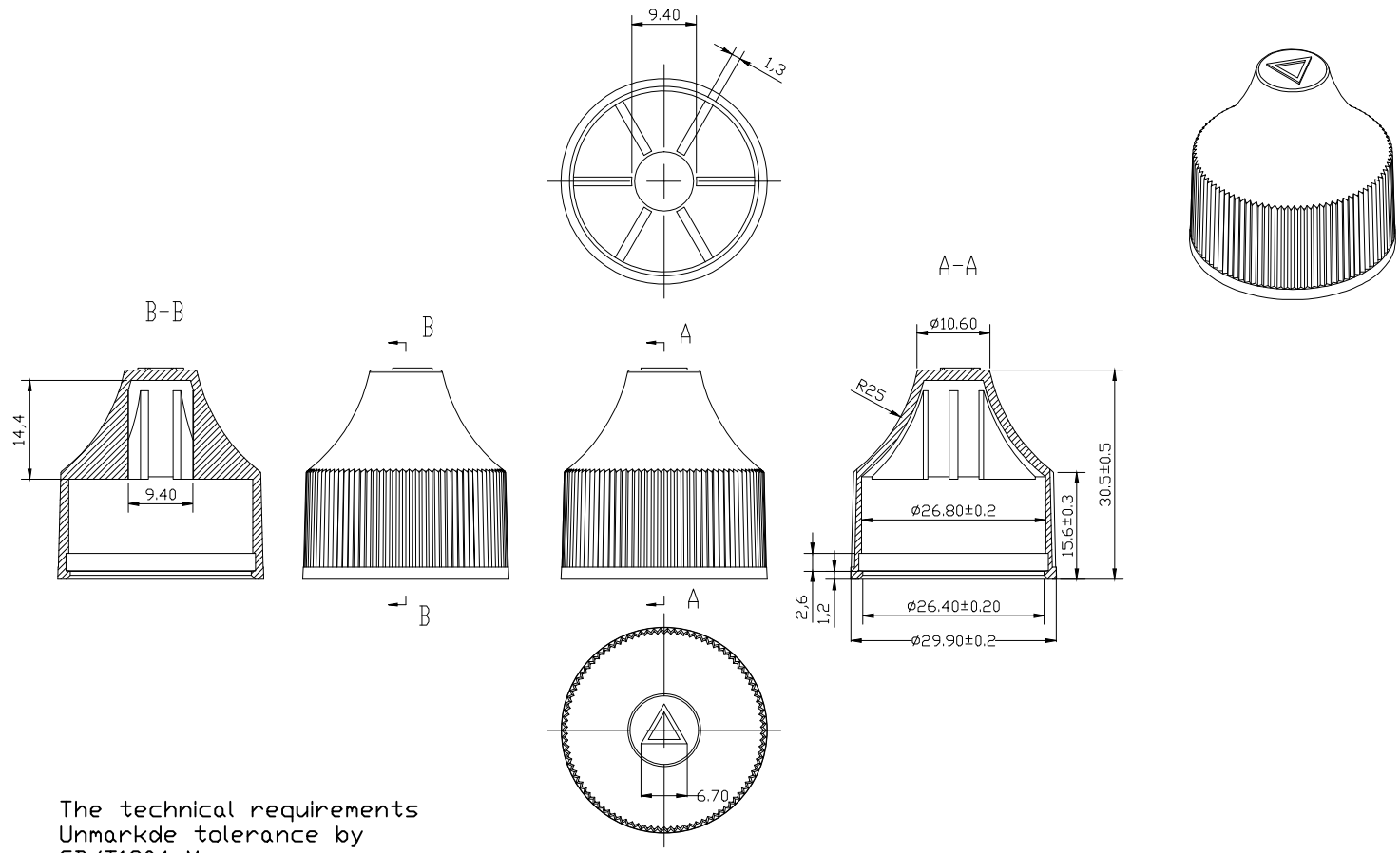


other 



The technical requirements
 Unmarked tolerance by
 GB/T1804-M
 Unmarked shape chamfer by
 0.5*45°
 Unmarked rounding by R0.5

Nominal Capacity		Drawn			Drawing Name		Scale
			Date				
O.F. Capacity		Checked			Material		
			Date				
Weight		Approved				Glopak USA	
			Date				