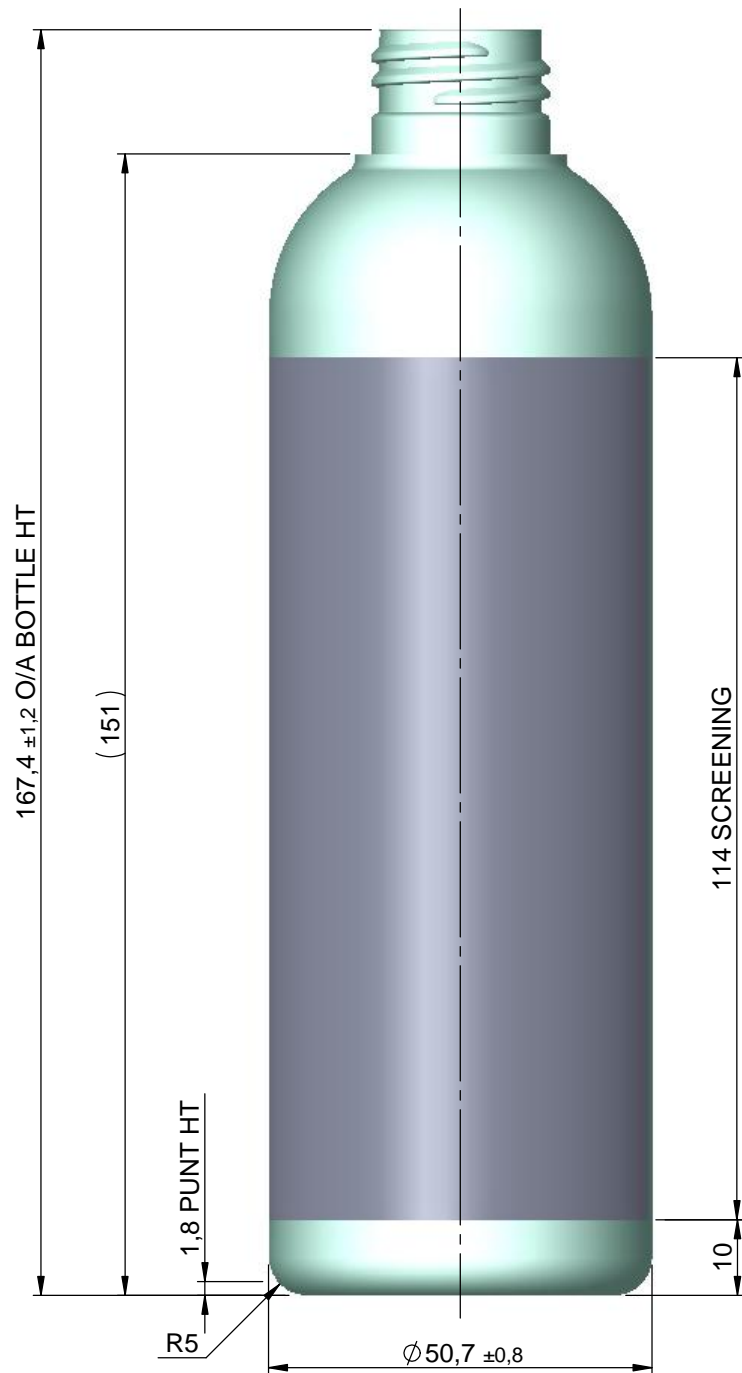
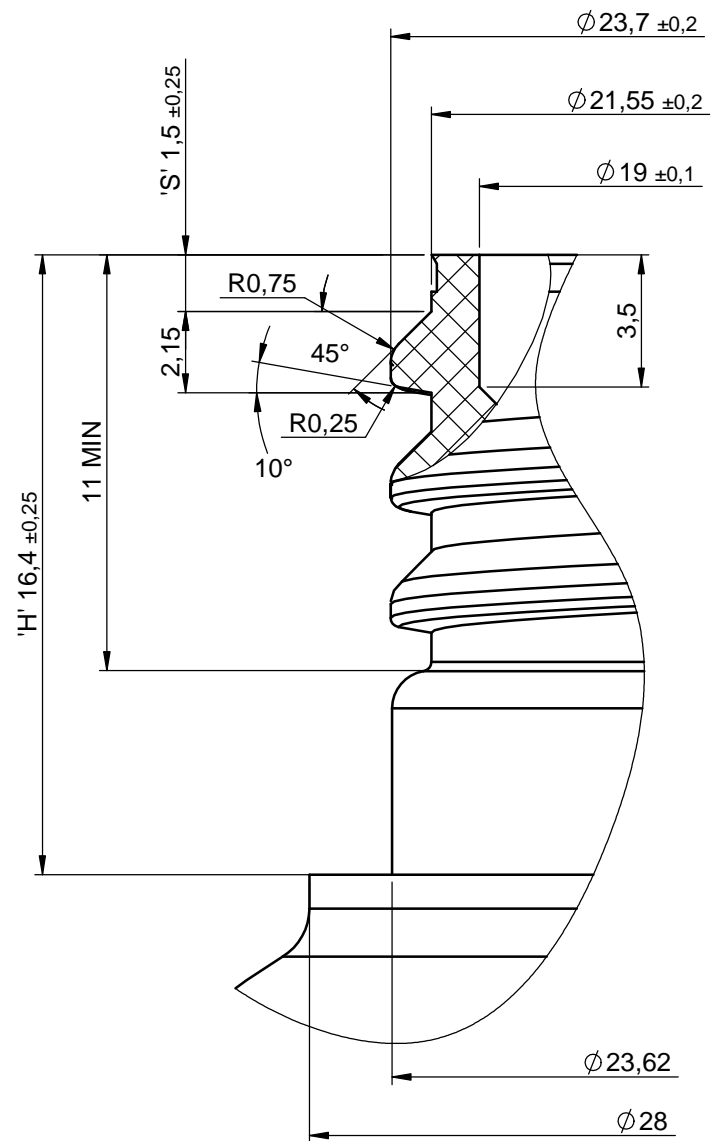
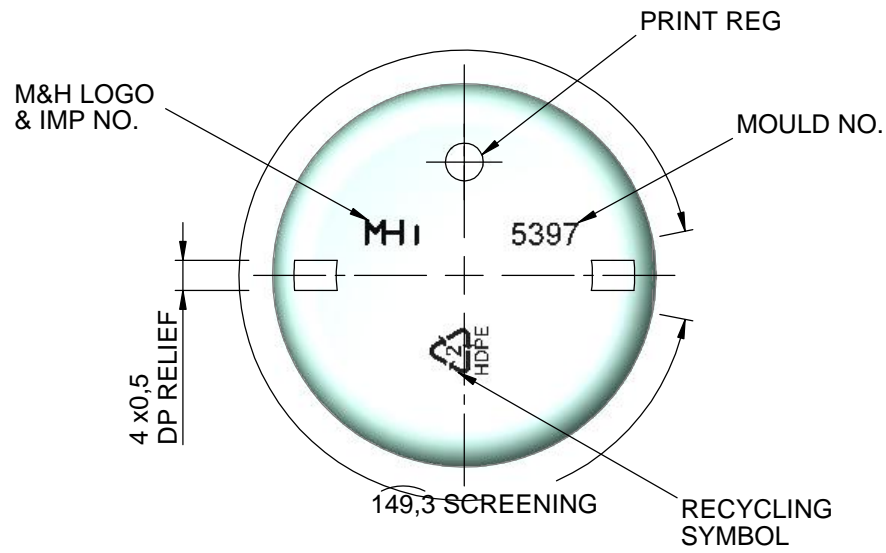


DO NOT SCALE
IF IN DOUBT ASK



24mm NECK FINISH
RH SINGLE START 3,175 PITCH
2 TURNS OF FULL FORM
HELIX ANGLE 2°34'
MIN THRO BORE ϕ 17,25 {7}

M&H CLOSURE REF:
8013/24/A
8300/24/A
-BORE SEAL

CLOSURE REF:
24/410 DISCTOP MK2 EUROPE {5}
SEAPLAST RC-27 ROLLCAP 24/410
24/410 R124468 BLS L531
METALIC SHROUDED FITMENT {5}
SEAQUIST 24/410 S/W DISCTOP C8026 {5}
SEAQUIST 124468 (GLOSSY ALUMINIUM SHEATH) {6}
- BORE SEAL

APTAR 24/410 PUMP
- PLATFORM SEAL

ISSUE	DATE ISSUED	REQUEST NO.	MAYNARD & HARRIS PLASTICS LONDON ROAD BECCLES SUFFOLK NR34 8TS TEL: (01502) 715518 FAX: (01502) 712591 EMAIL: designoffice@mhplastics.com INTERNET: www.mhplastics.com
1	-	DOR 0736	
4	13/02/1997	-	
5	04/02/2002	DCR BM2365	
6	15/05/2002	DCR BM2654	
7	31/01/2014	DCR BM4713	
CONFIDENTIAL DISCLOSURE THIS DRAWING IS THE PROPERTY OF M&H PLASTICS AND IS ISSUED ON CONDITION THAT IT IS NOT REPRODUCED OR DISCLOSED TO A THIRD PARTY, EITHER WHOLLY OR IN PART, WITHOUT THE CONSENT OF M&H PLASTICS			

NOTE: ALL DIMENSIONS & SCREENING AREA TO BE FINALISED POST DEVELOPMENT	
BF CAPACITY:	270 ± 7ml
BON CAPACITY:	-
MATERIAL:	HDPE
WEIGHT:	21 ± 1g
SURFACE FINISH:	-
QUOTE NO.	-
ALL DIMENSIONS IN mm TOLERANCE EXCEPT WHERE STATED OTHERWISE ± 0,5 CONFORMS TO BS8888:2000	

M&HPLASTICS PACKAGINGWITHOUTBOUNDARIES TITLE: 250ml TALL BOSTON ROUND DRG NO. 5397/24/H	CONCEPT: - DRAWN: APW CHK'D: APC REQST'D: - PREFORM: - SCALE: 1:1 5:1
	TECHNICAL DRG A3